

Caloo Limited, Unit 12, Boxted Farm, Berkhamsted Road,
 Hemel Hempstead, HP1 2SG, United Kingdom.
 Tel: +44 (0)8450558218 Fax: +44 (0)8450558219 Email: info@caloo.co.uk

Caloo Workout - CW32 Rower



Unit Dimensions (mm) LxWxH : 1310 x 1010 x 1175

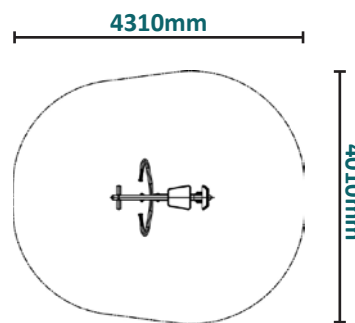


**Certified by
 TUV to
 EN 16630**

Unit Weight : 43kg
 Unit Free Fall Height : 651mm
 Area Needed: 4310mm x 4010mm

Suitable for
 users over
 1400mm tall.

Safety Spacing



A full body cardio workout using the arms and legs simultaneously to complete rowing actions.
 This unit is perfect to help with trimming up and maintaining a healthy body and figure.

The Caloo workout Range features individual fitness stations which offer an environmentally friendly outdoor fitness facility. Each unit is designed to target a specific muscle group, creating a variety of activities which can create a full body workout or aid recuperation after accident or illness. Caloo Workout units are available in three attractive colour combinations : blue and silver, green and silver or red and yellow.

(Surface diagram to scale 1:100 on A4)
 (User diagram shows unit with a 1.8m tall adult)

