

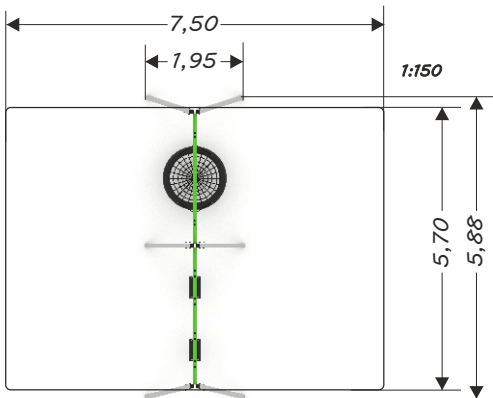
swing WD 1494

TIMBER SWINGS

Data	
Safety zone	42,80 m ²
Length	1,95 m
Width	5,88 m
Overall height	2,40 m
Free fall	1,30 m
Age range	3-12 yrs
Complies with the EN standard	1176-1:2009
Availability of spare parts	Yes
Mass of the heaviest part [kg]	28
Dimension of the largest part [cm]	300x8x8



Minimal space



- 90 x 90 mm impregnated, laminated wood of pine, the top is protected with polypropylene caps -
- Foundations are made of metal, sheltering the wood from direct contact with the ground to prevent rot and extend the products life
- Stainless steel screws or covered screws with plastic caps
- No sharp edges or chinks that would pose a danger for jamming of the head, fingers or any other body parts

ADDITIONAL REMARKS

- the device has a certificate issued by an accredited body;

- anchoring on flat ground at a depth of 80/70/60 cm;
- the device is intended for public playgrounds;