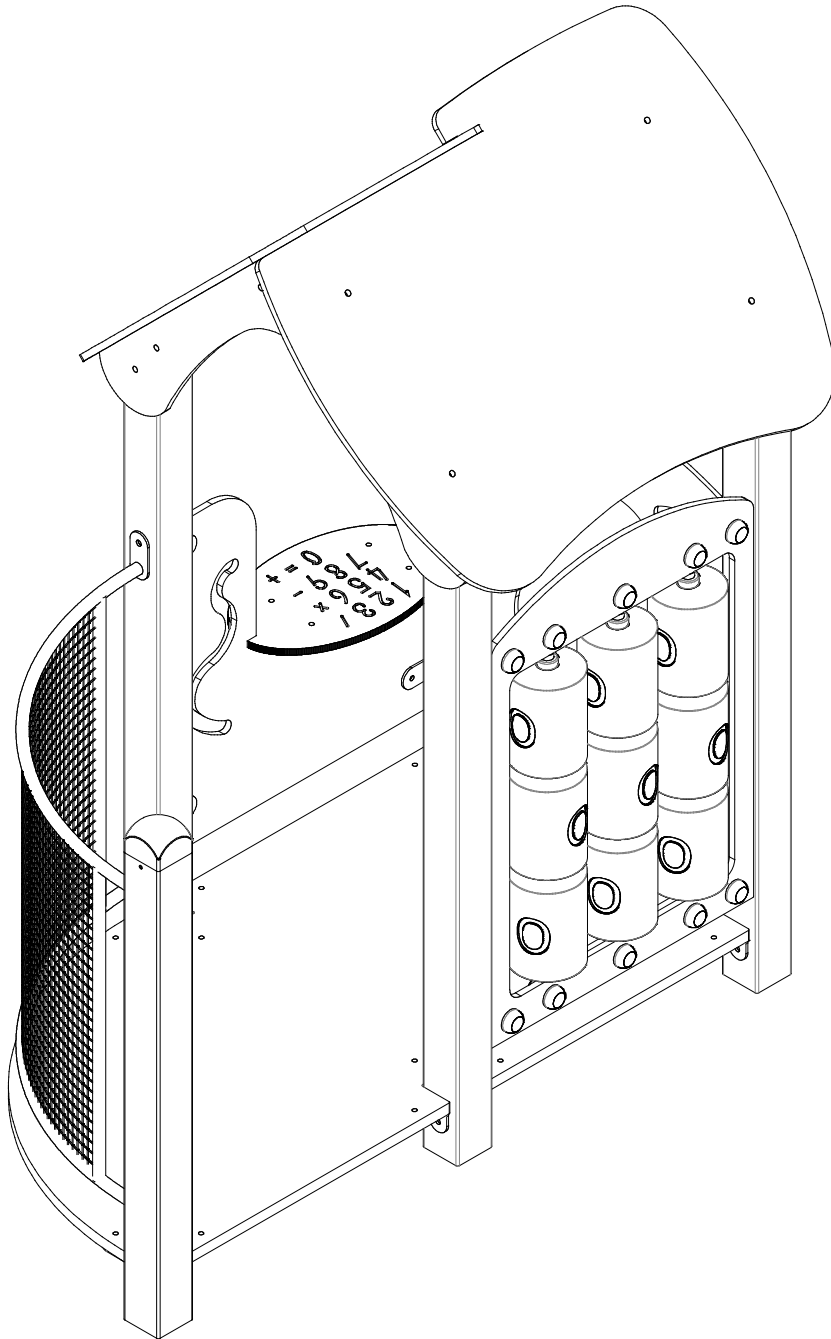


0101



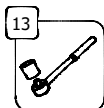
[cm]

v1/01.06.17



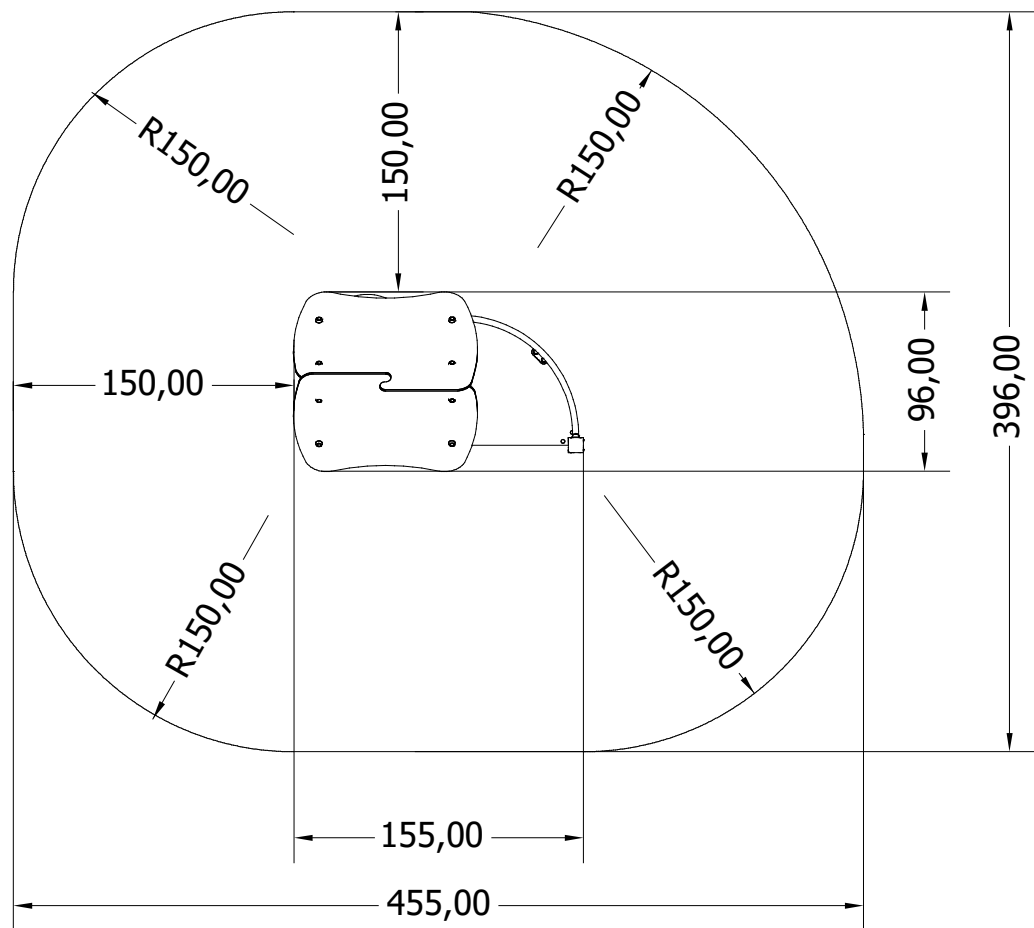
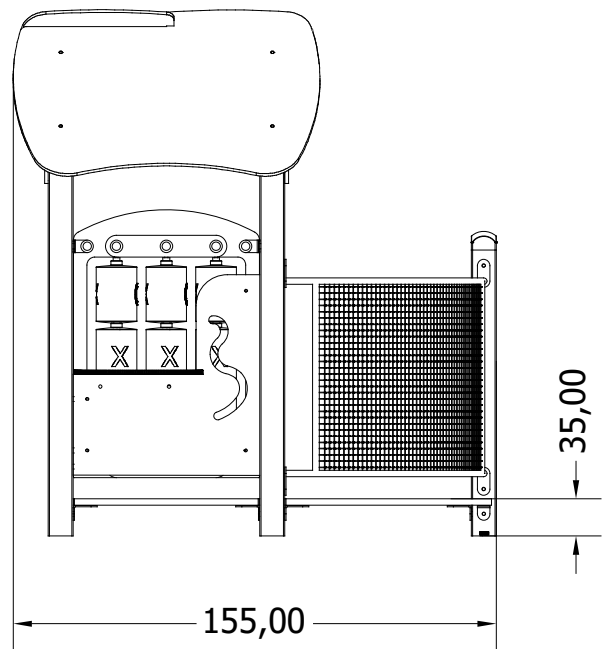
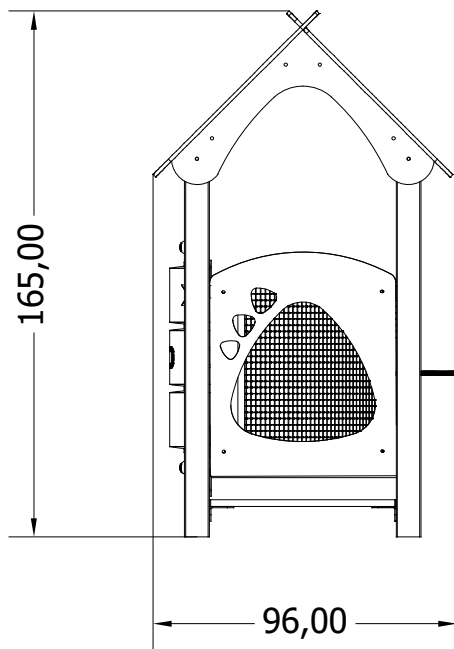
2,5h

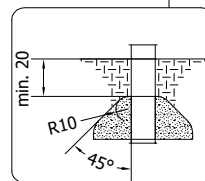
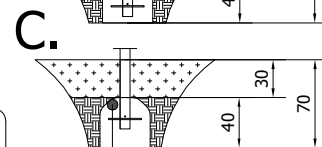
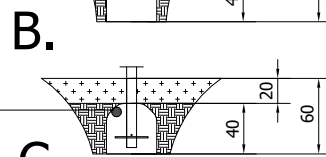
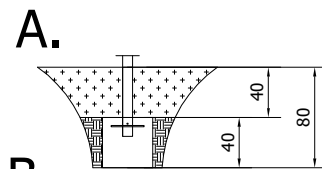
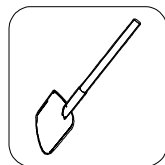
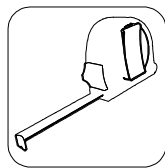
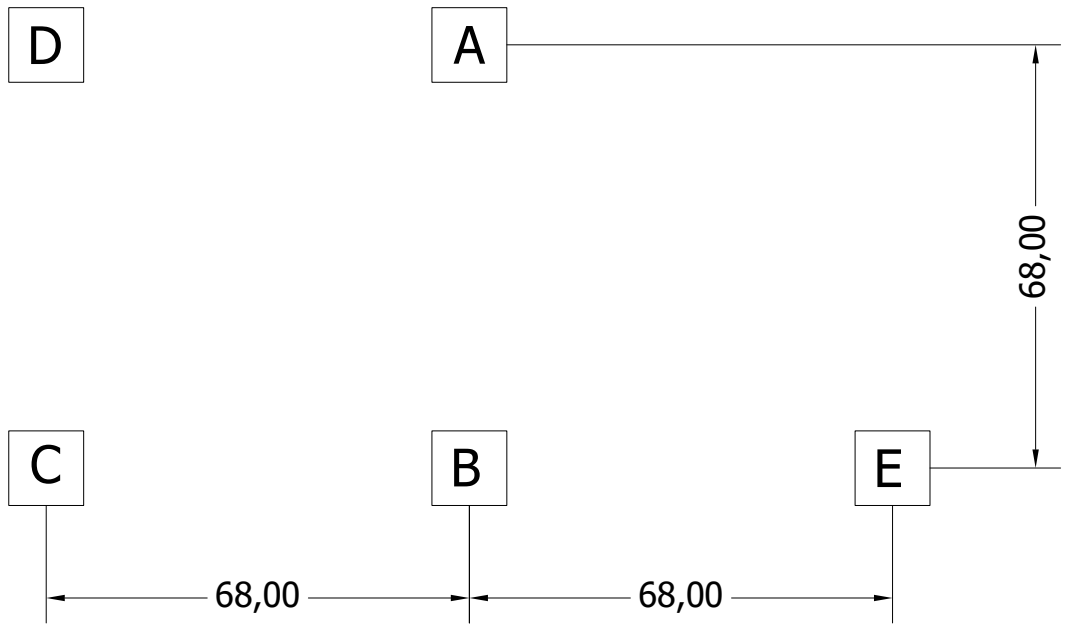
35
HIC

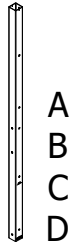


48h

play
vinci







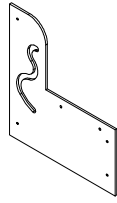
101



101



011227
x1



011122
x1



011154
x1



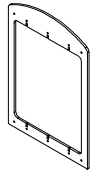
011119
x2



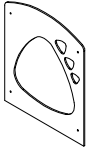
011143
x2



012102
x1



011191
x1



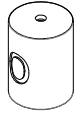
011106
x1



011192
x1



996110
x3



996108
x9



996109
x12



991123
x2



991124
x1



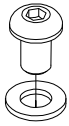
i29(A)
x12



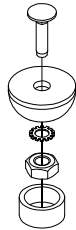
i128
x12



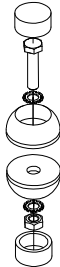
i130
x12



M10x25
x24



M8x40
x12



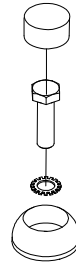
M10x40
x2



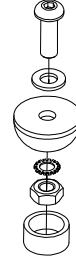
M8x30
x4



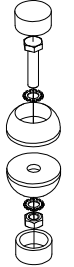
M8x35
x12



M10x35
x8



M10x35
x16



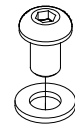
M8x40
x6



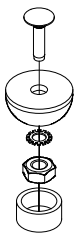
M8x55
x1



i130
x12

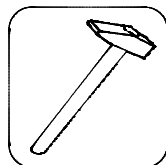
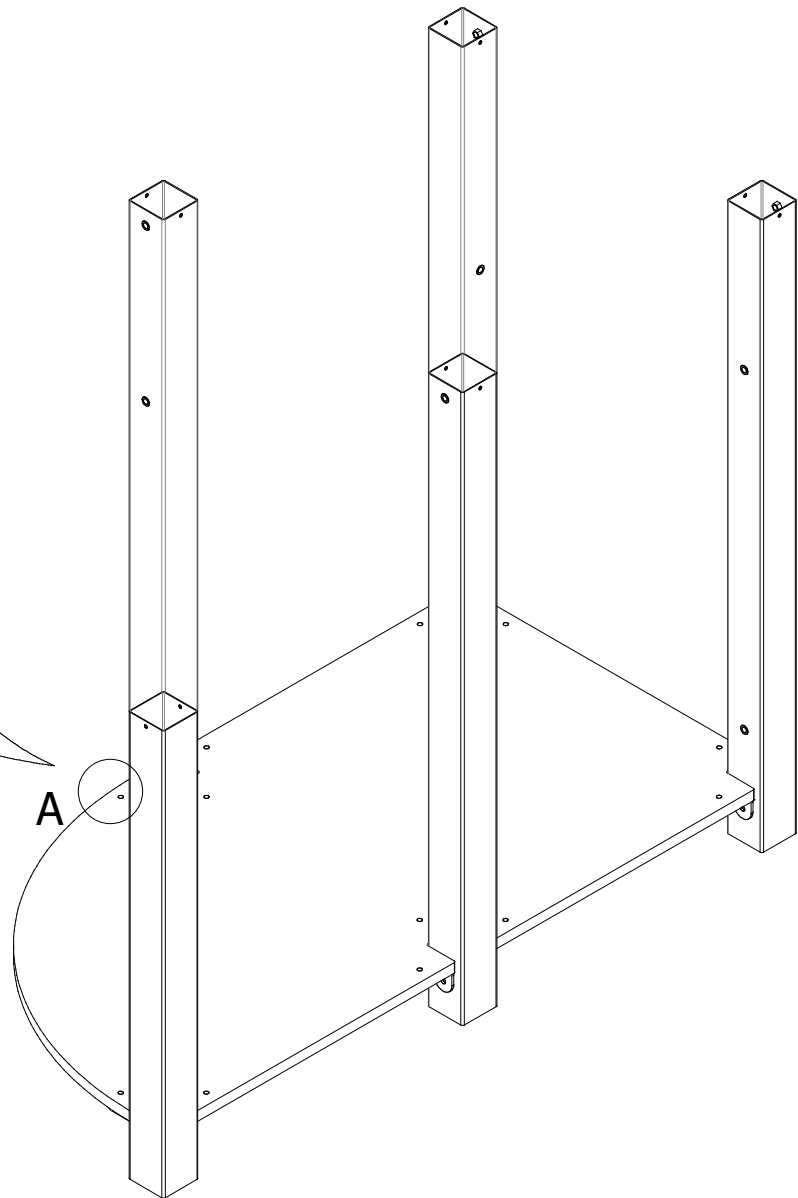
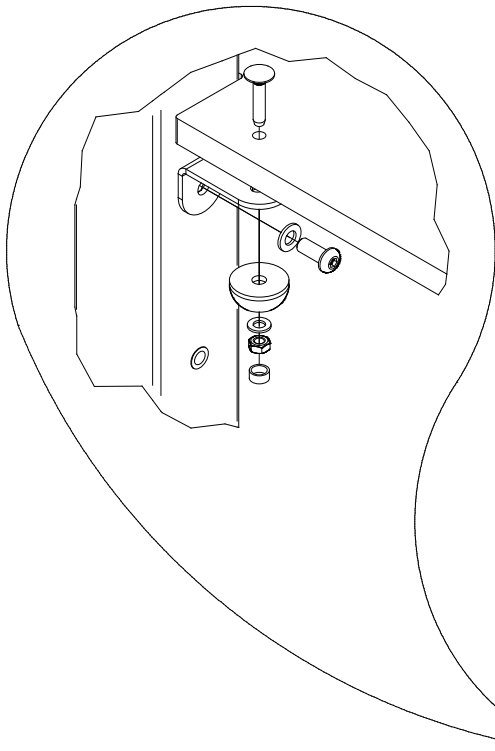


M10x25
x12

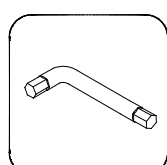
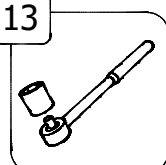


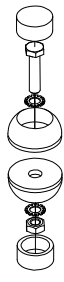
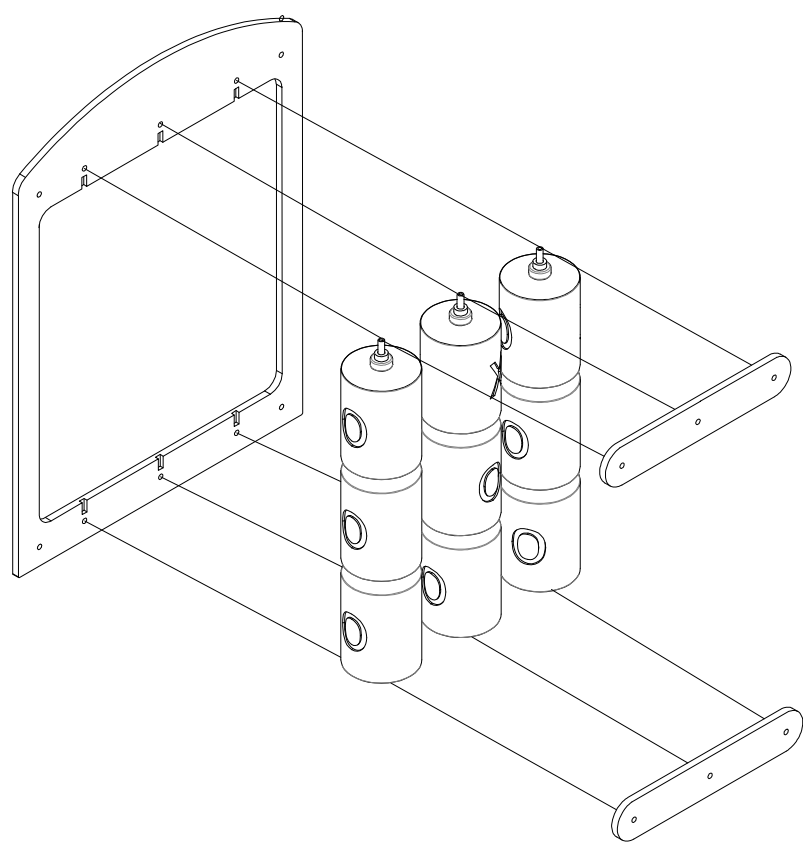
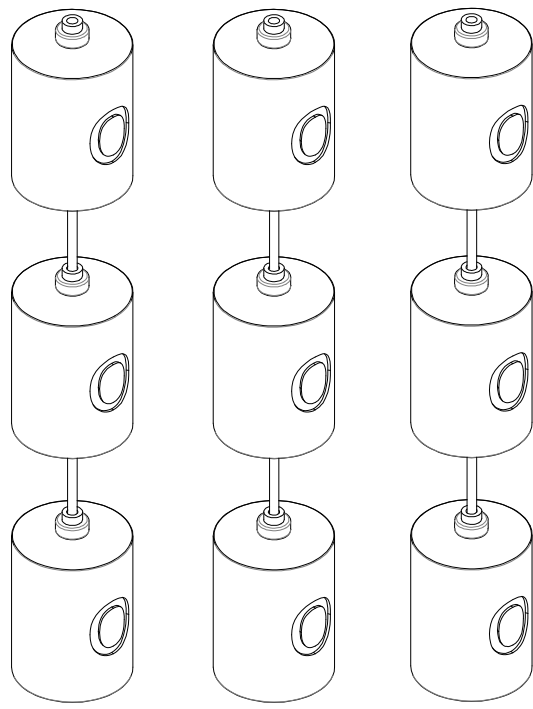
M8x40
x12

A

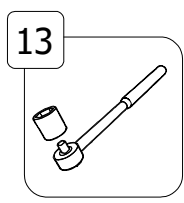
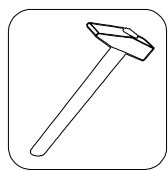


13

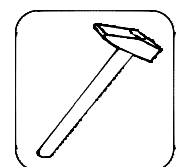
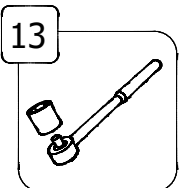
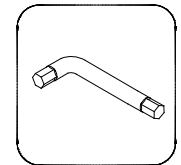
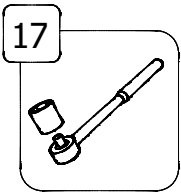
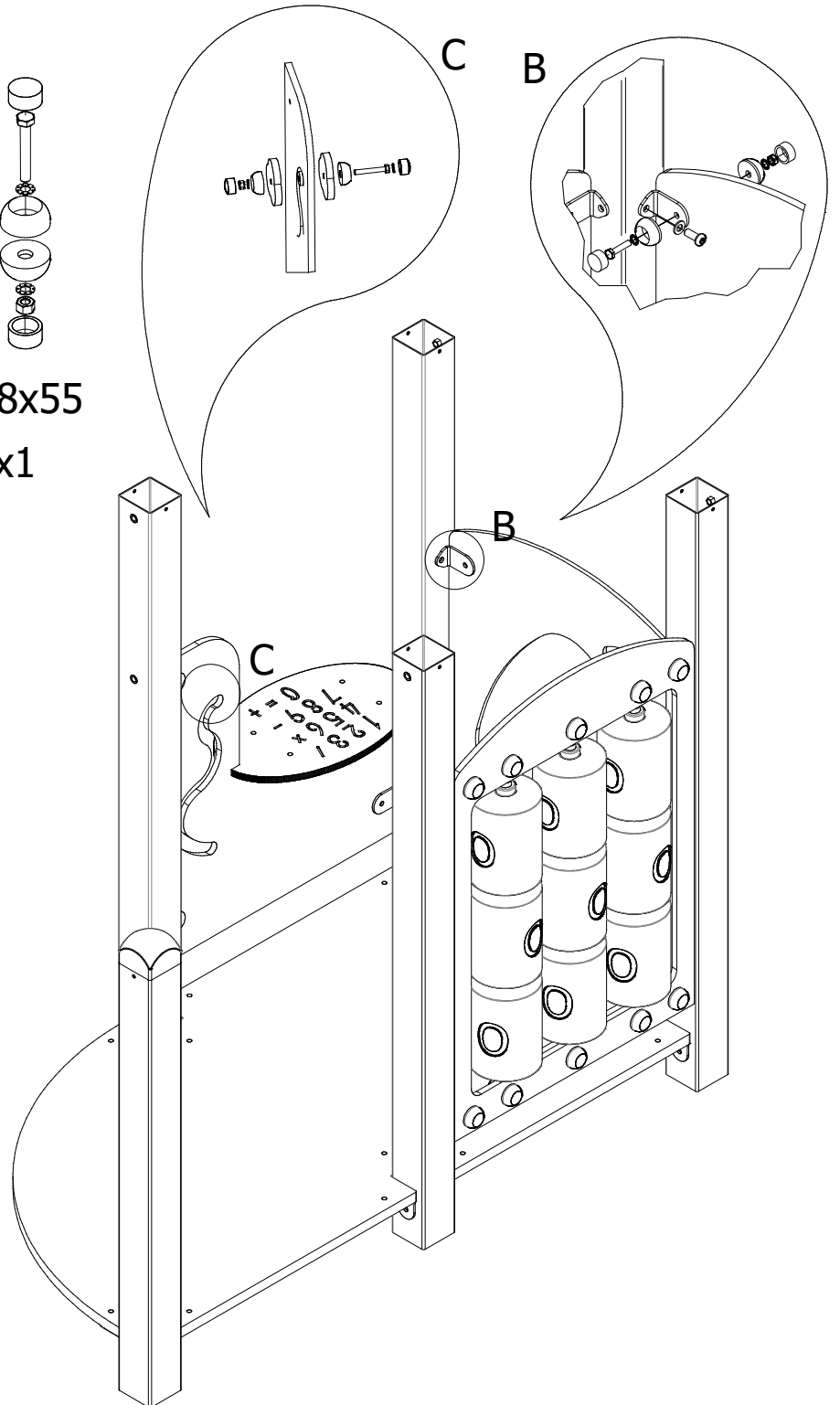
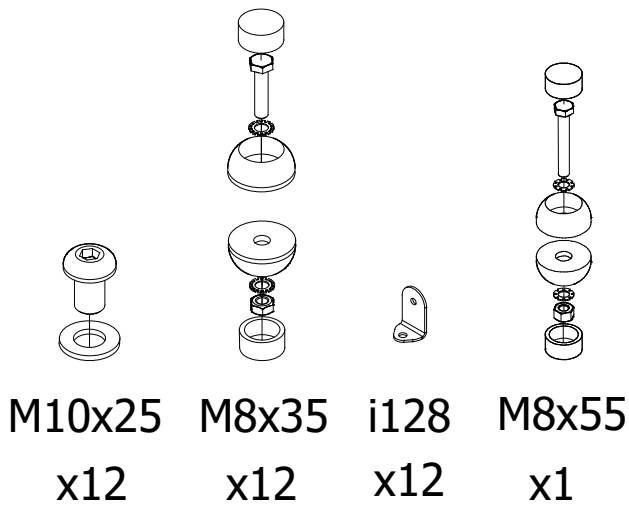
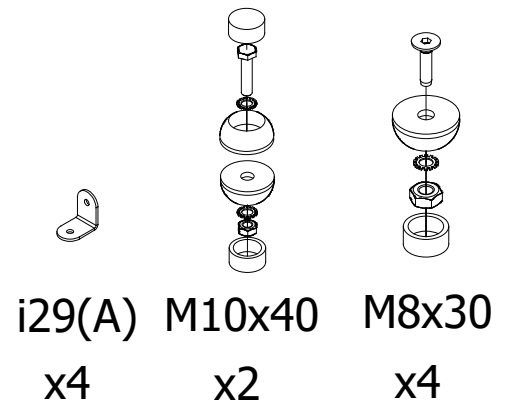
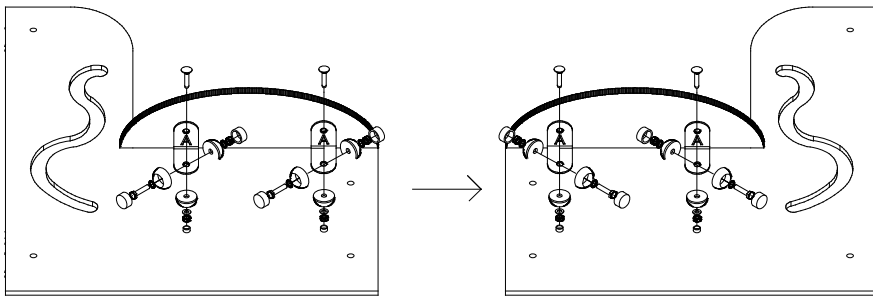


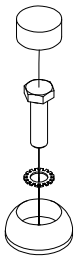


M8x40
x6

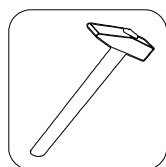
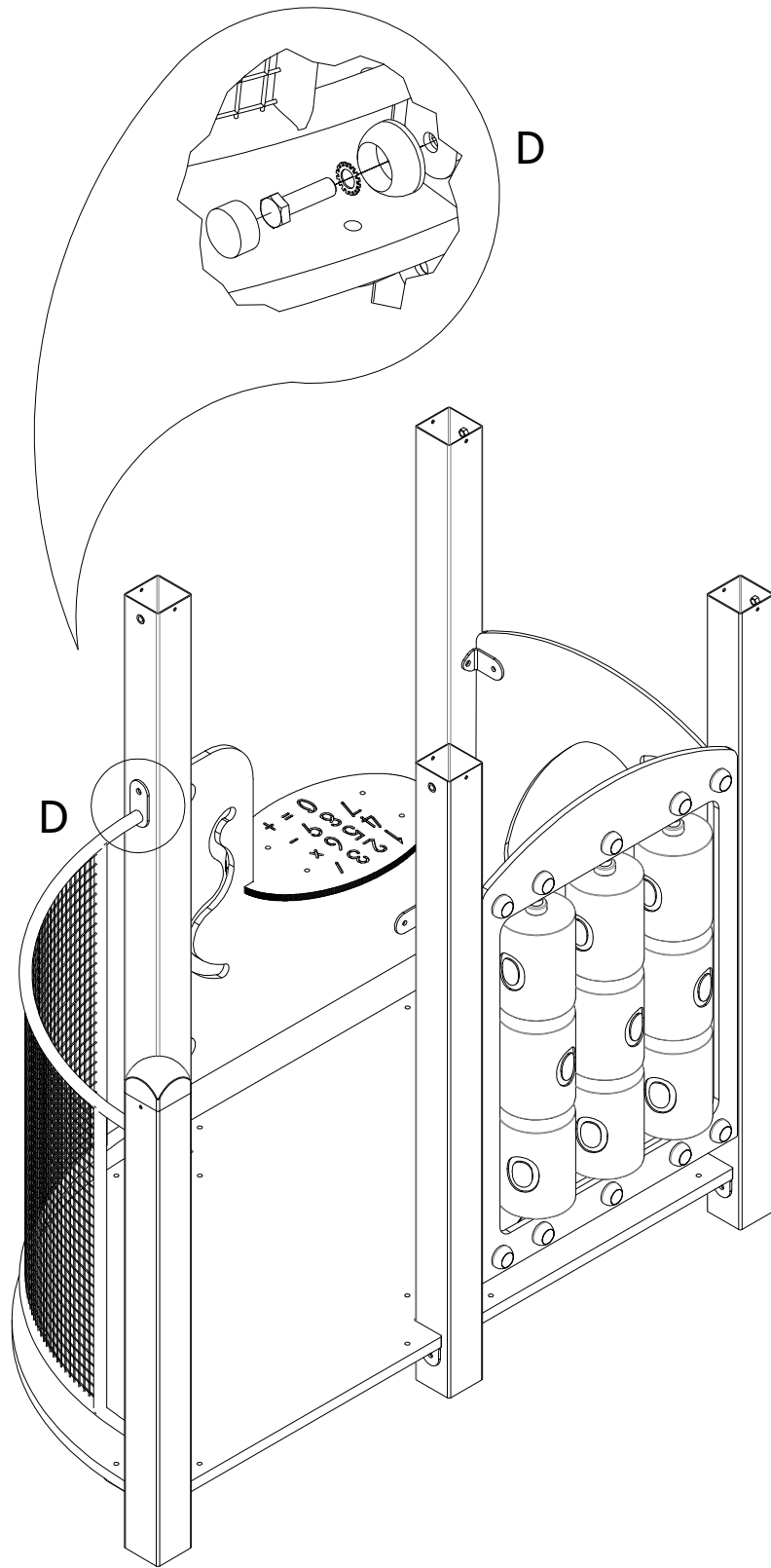


13

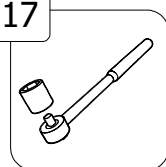


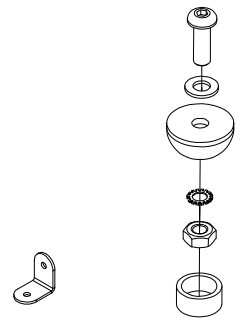
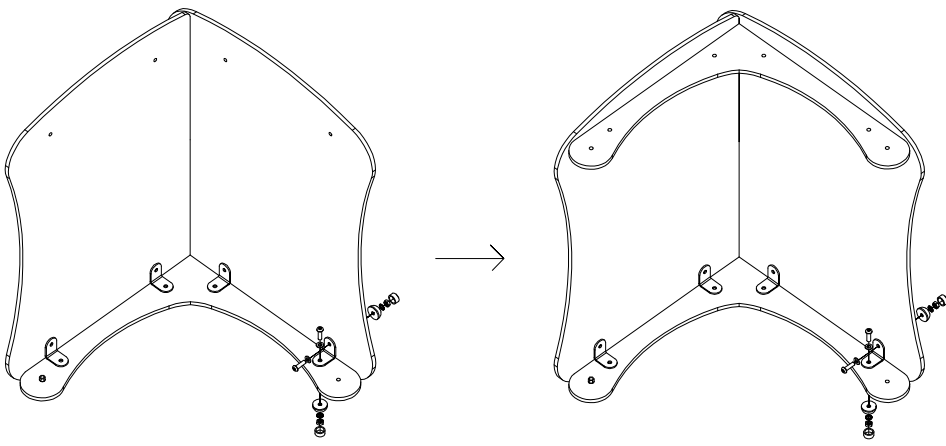


M10x35
x4

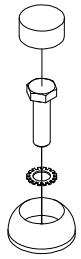


17



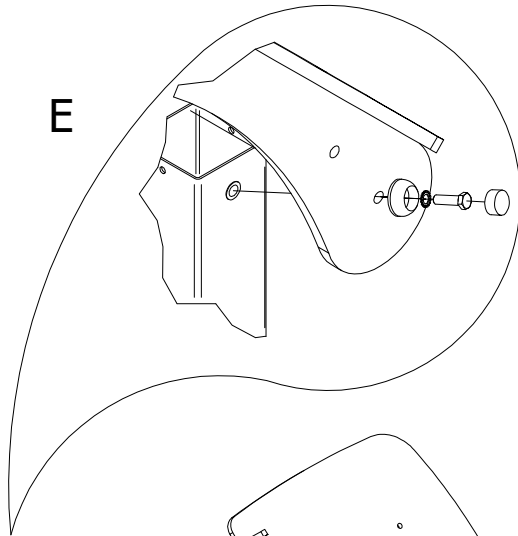


i29(A) M10x35
x8 x16

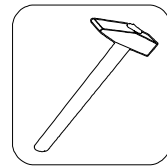
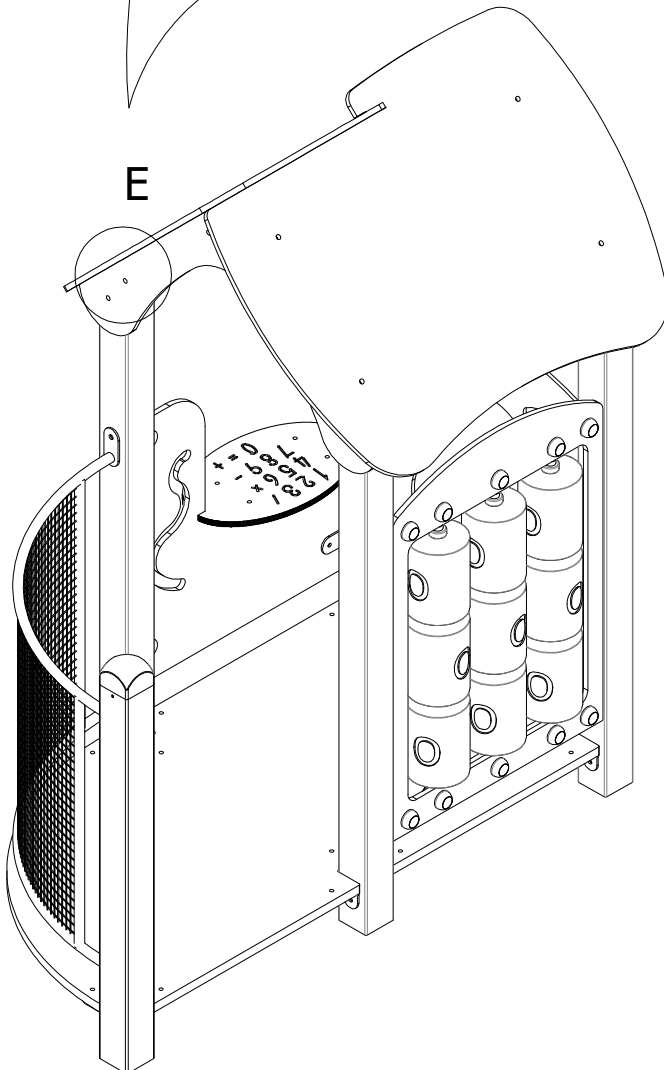


M10x35
x4

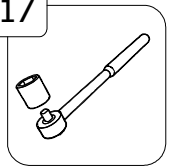
E

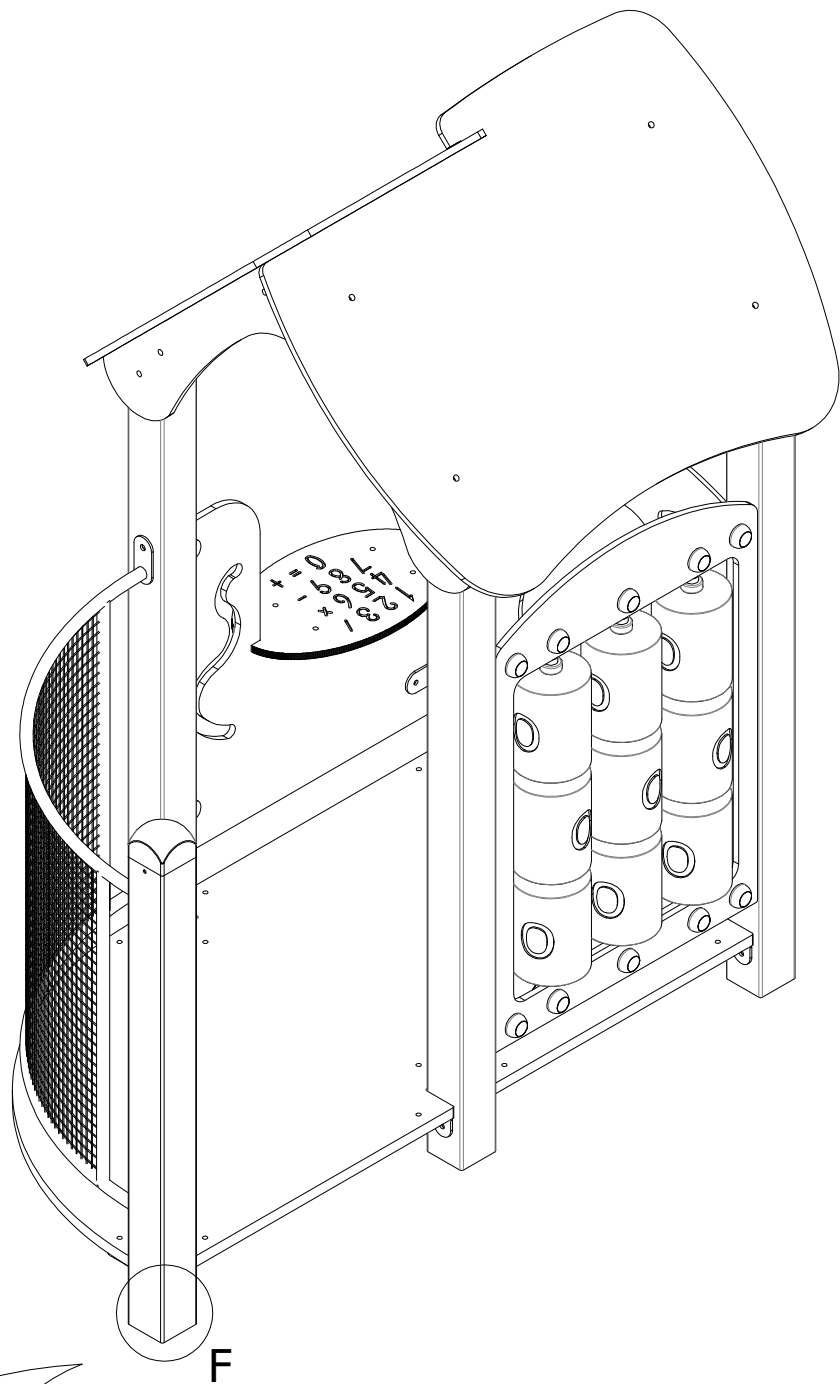


E

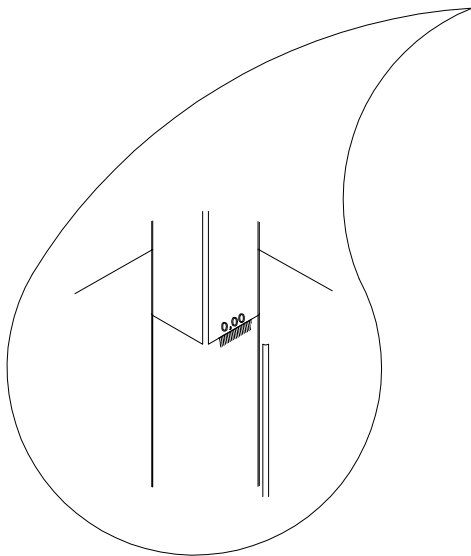


17





F



F

