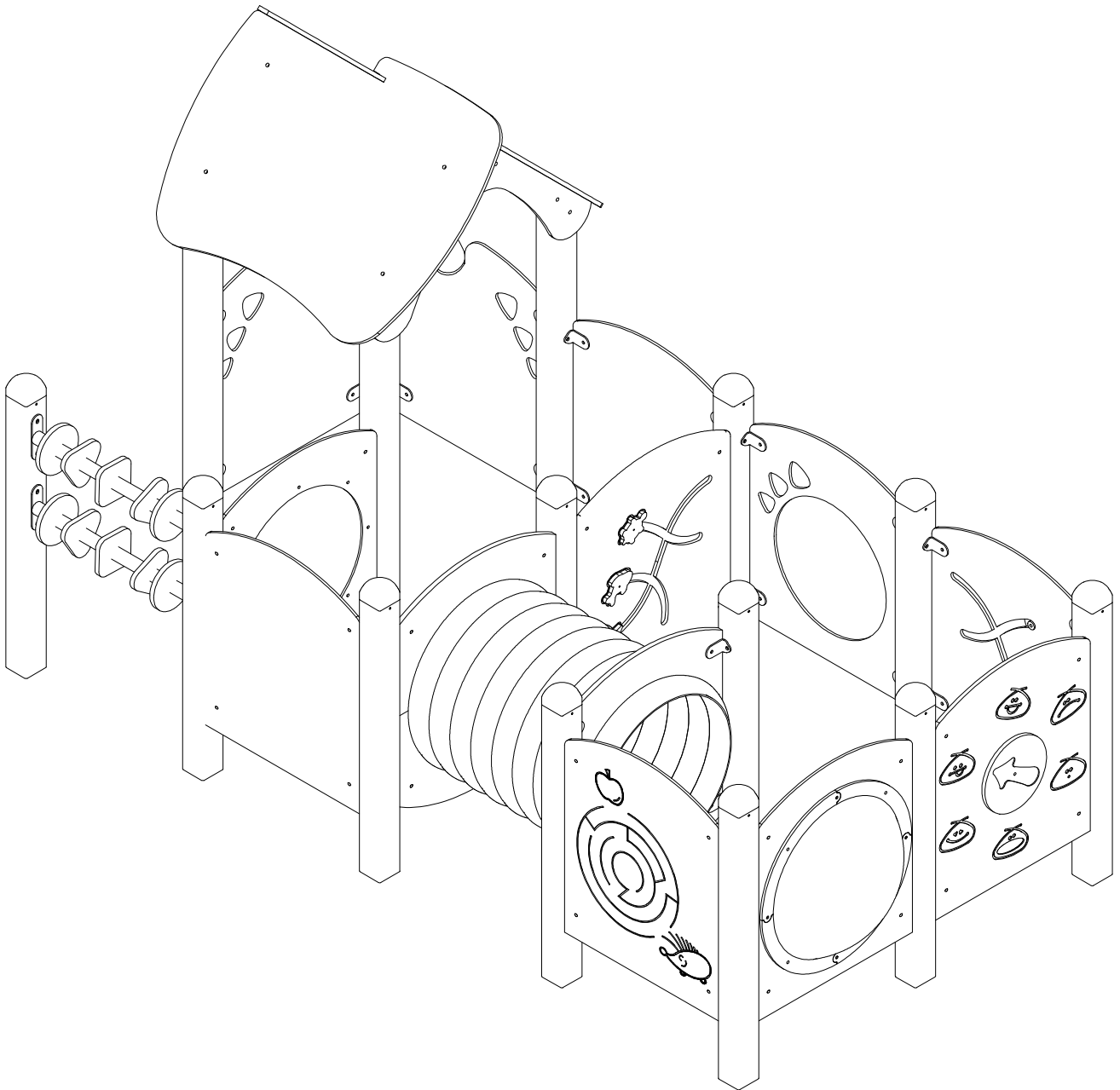


0108-2



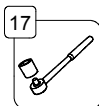
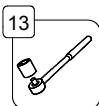
[cm]

v1/29.06.17



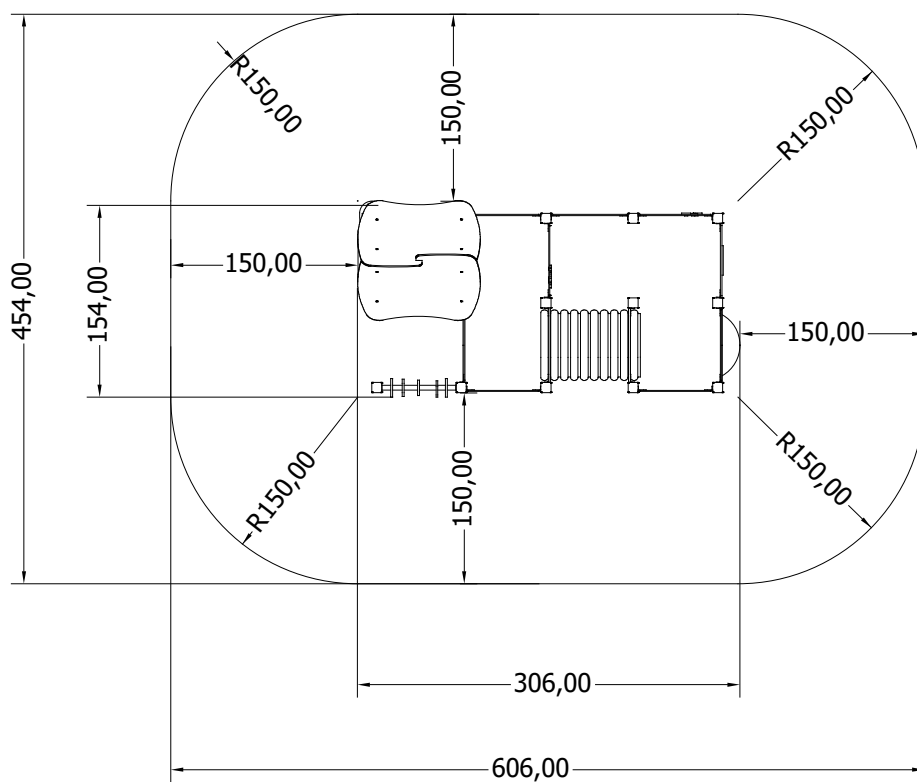
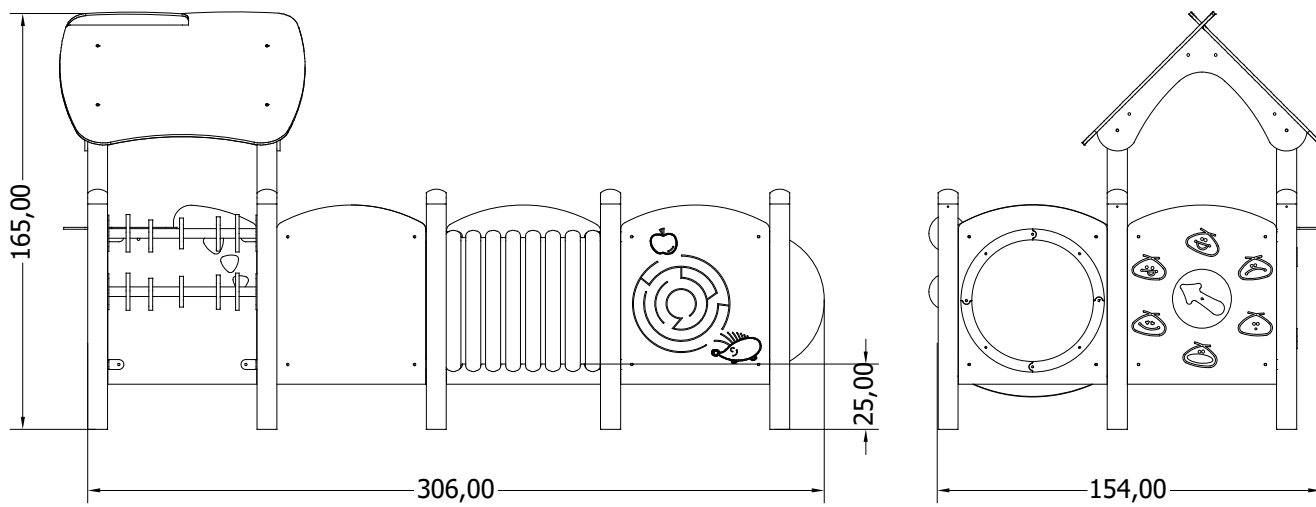
7,5h

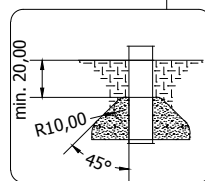
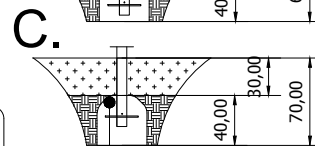
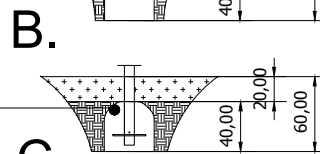
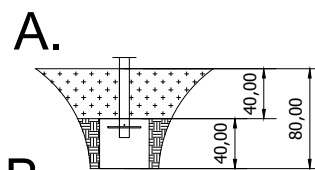
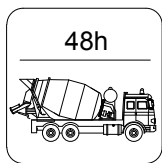
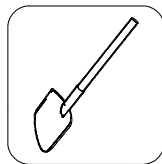
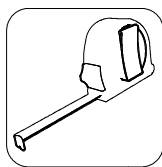
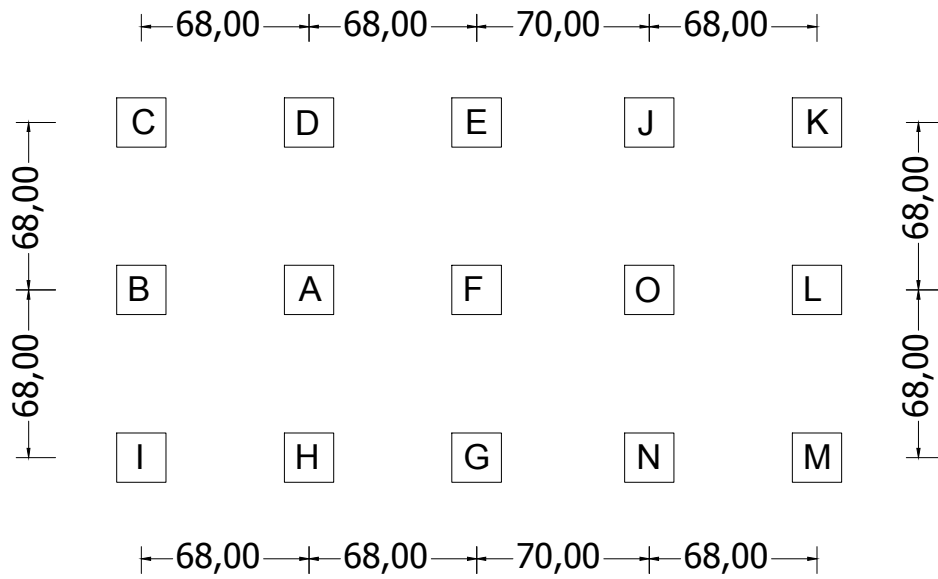
25
HIC

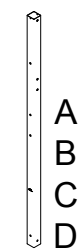


48h

Play
vinci







108



108



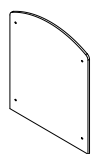
014100

x2



011102

x1



011121

x1



011112

x1



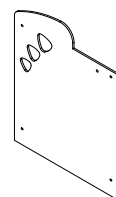
011101

x1



011115

x1



011113

x2



011110

x1



991122

x1



991121

x1



991120

x1



014103

x1



991127

x6



991124

x6



991111

x1



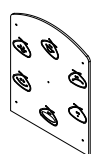
991110

x1



991112

x1



011120

x1



011135

x1



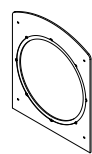
991129

x1



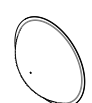
996142

x1



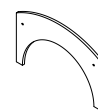
011144

x2



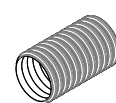
996140

x1



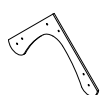
011150

x4



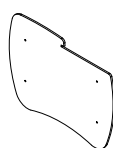
996132

x1



011119

x2



011143

x2



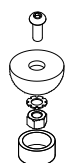
i128

x52



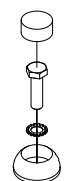
i29(A)

x10



M8x25

x8



M10x35

x12



M10x35

x16



M10x25

x52



M8x35

x52



M10x40

x2



M8x30

x2



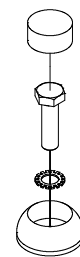
M8x40

x1

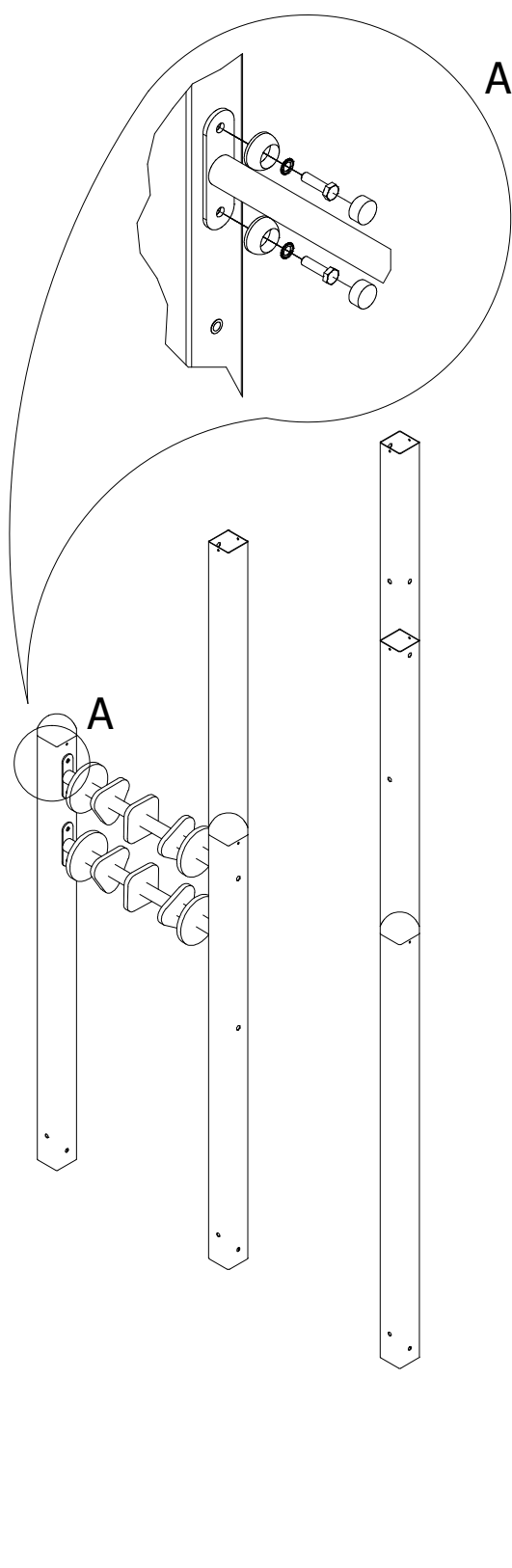
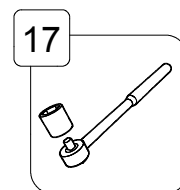
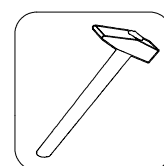


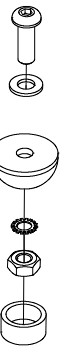
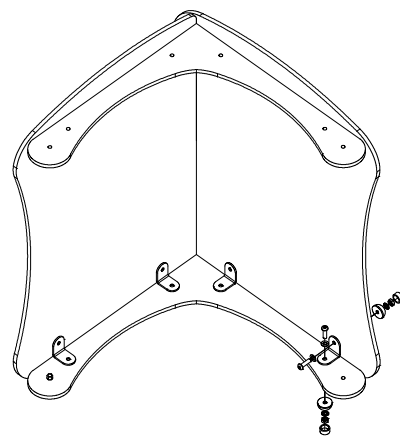
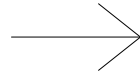
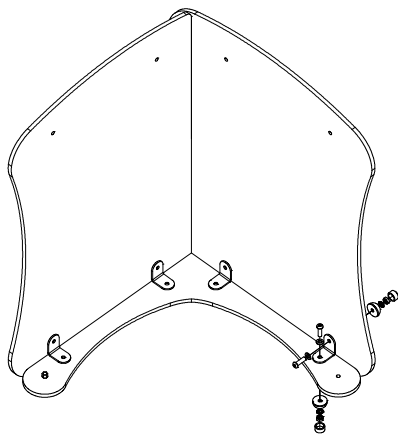
M8x60

x6



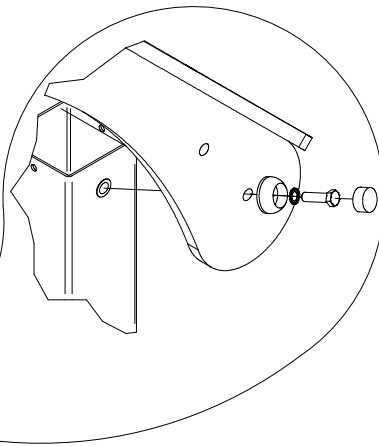
M10x35
x8



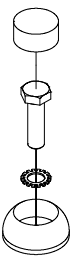
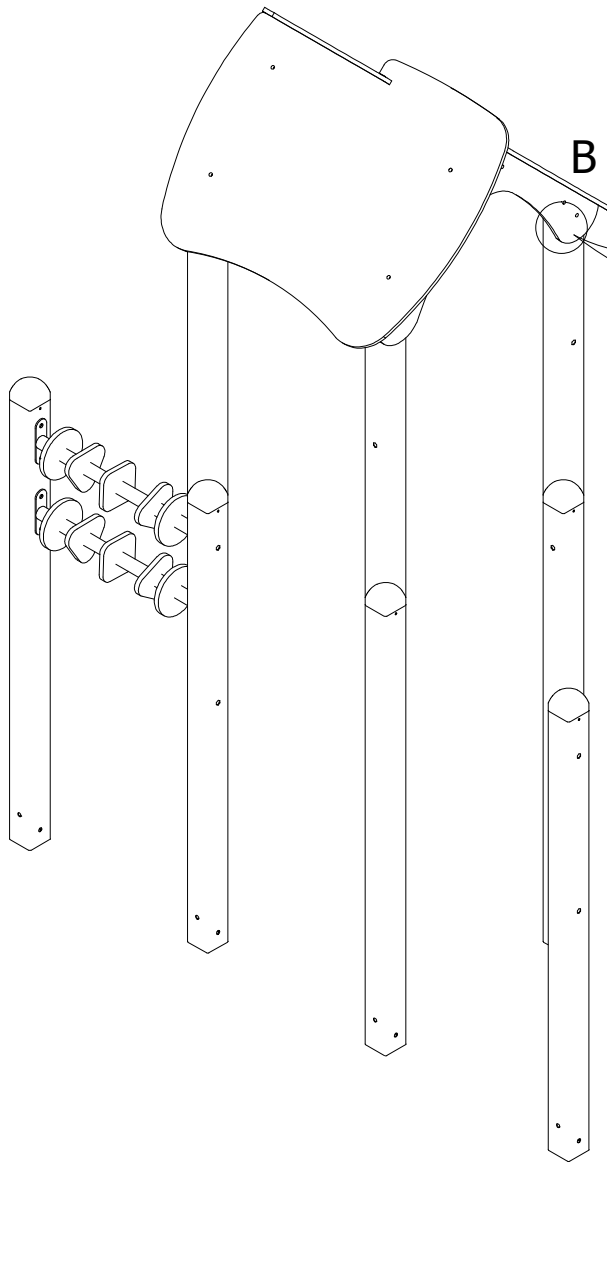


M10x35
x16

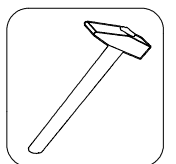
B



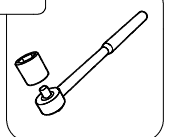
B



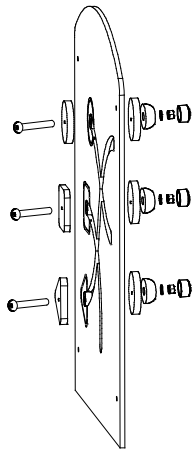
M10x35
x4



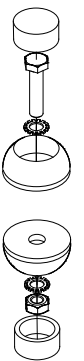
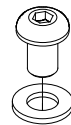
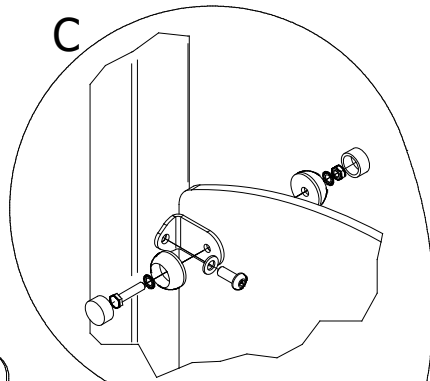
17



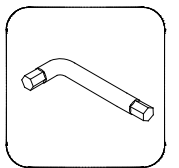
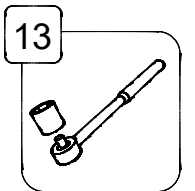
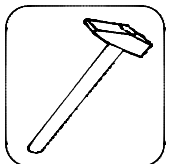
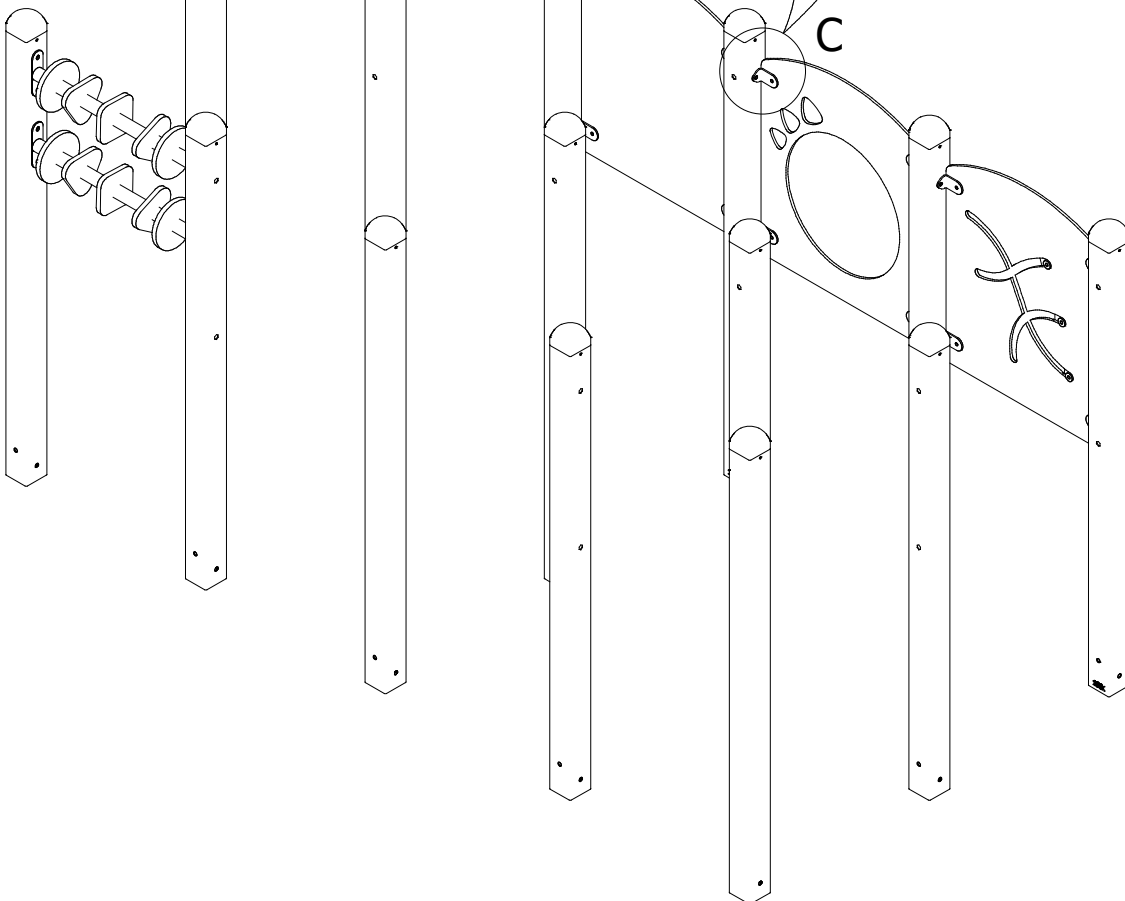
Play
Vinci

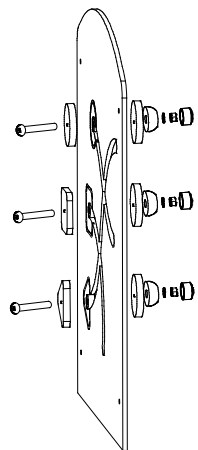


M8x60
x3

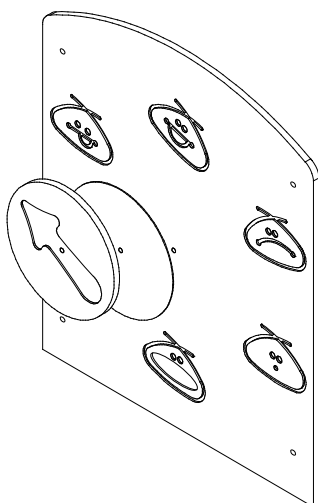


i128 x12 M10x25 x12 M8x35 x12

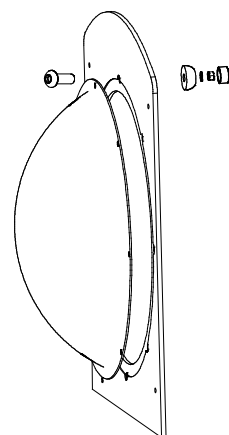




M8x60
x3

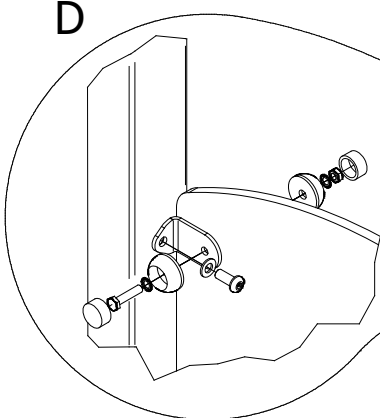


M8x40
x1

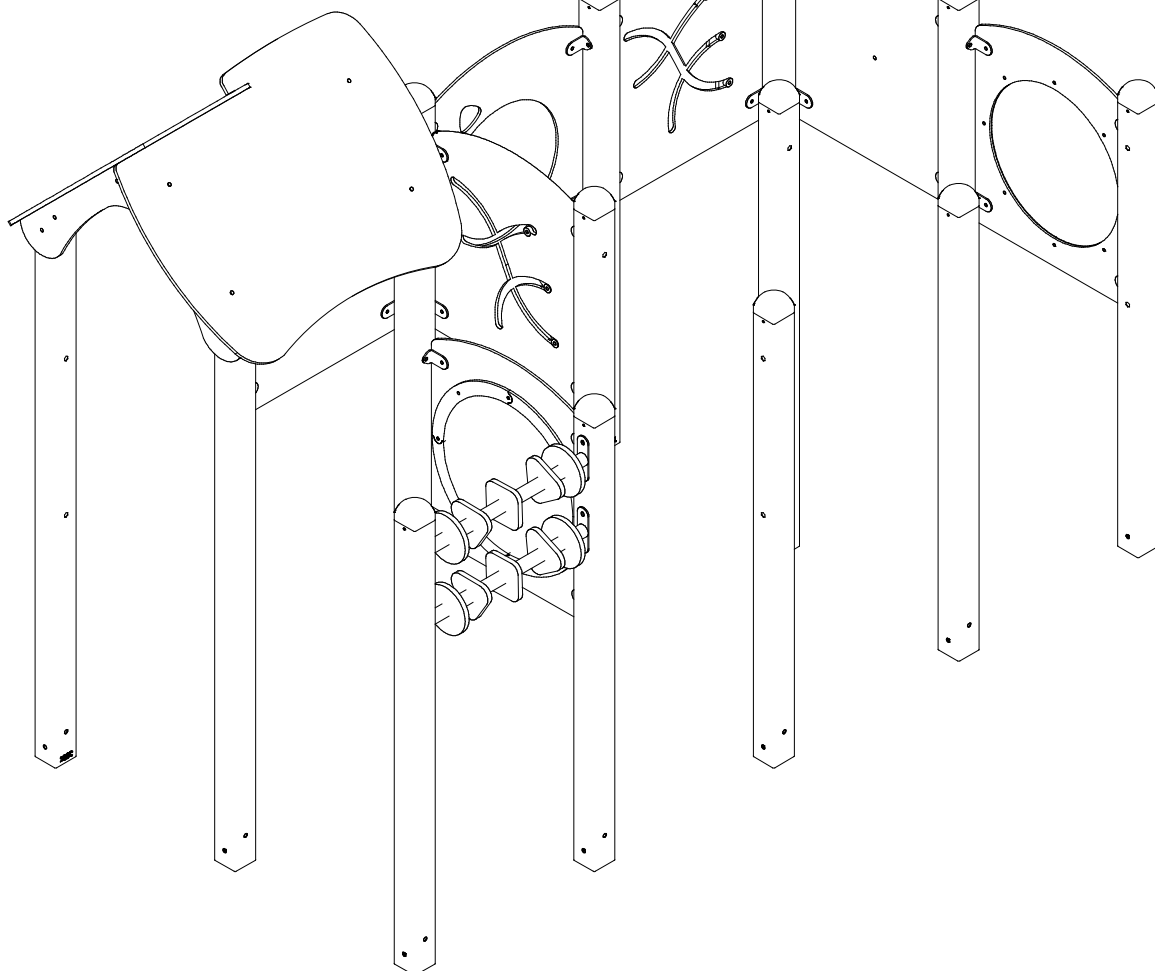


M8x25
x8

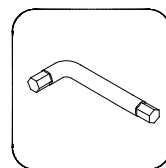
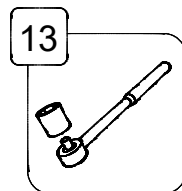
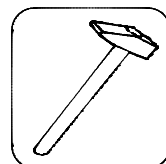
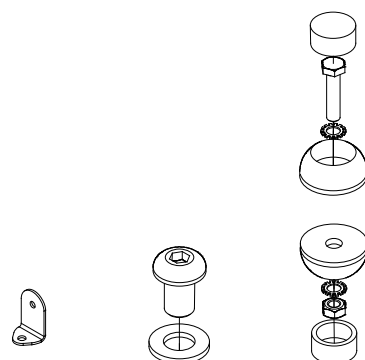
D

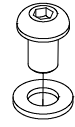
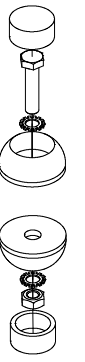


D



i128 M10x25 M8x35
x16 x16 x16





i128

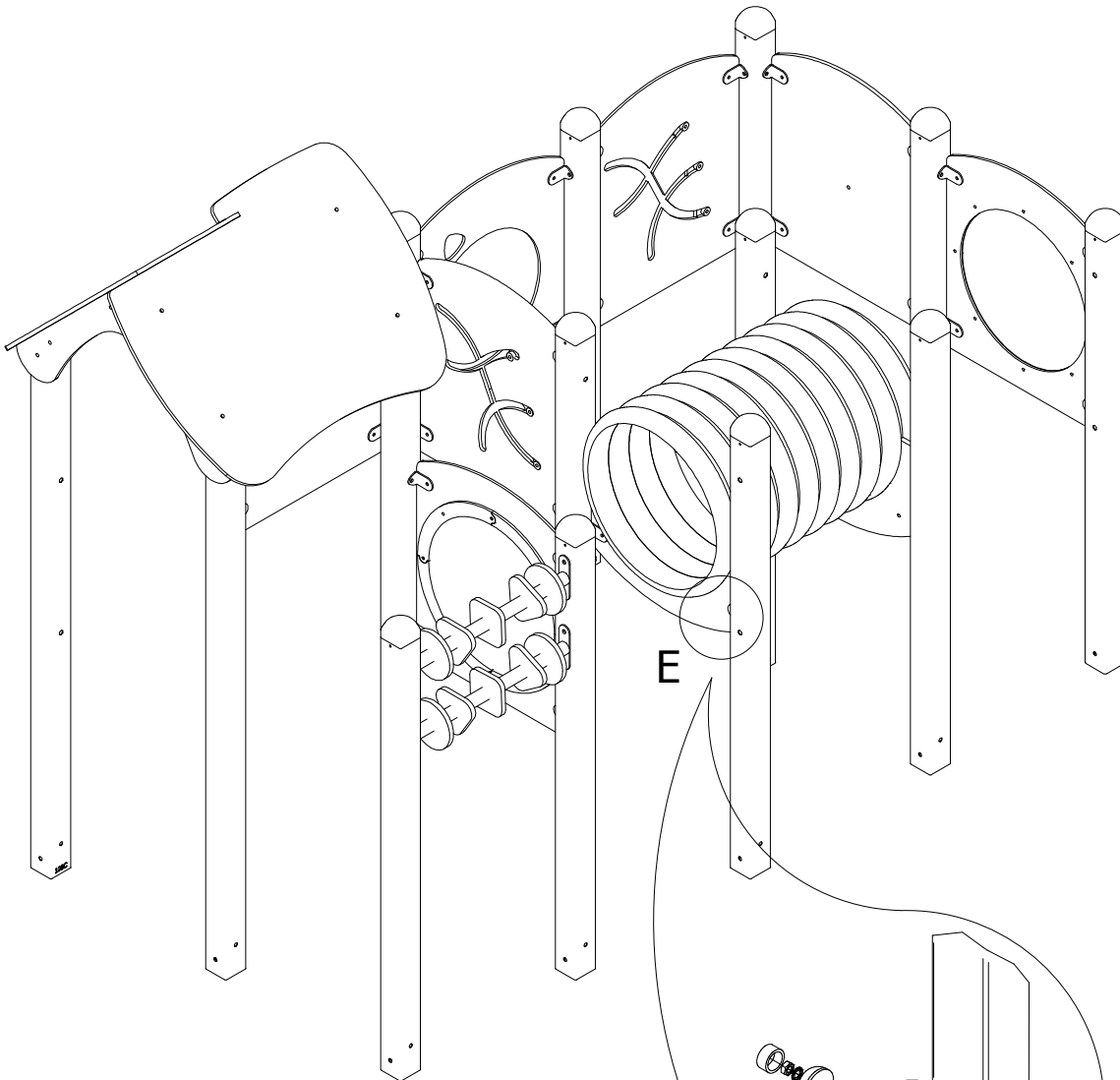
M10x25

M8x35

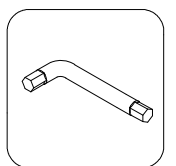
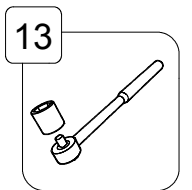
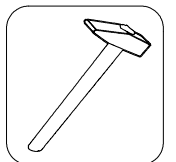
x4

x4

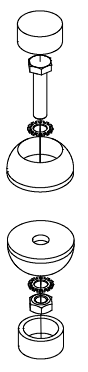
x4



E



E



i128

M10x25

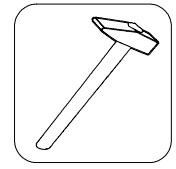
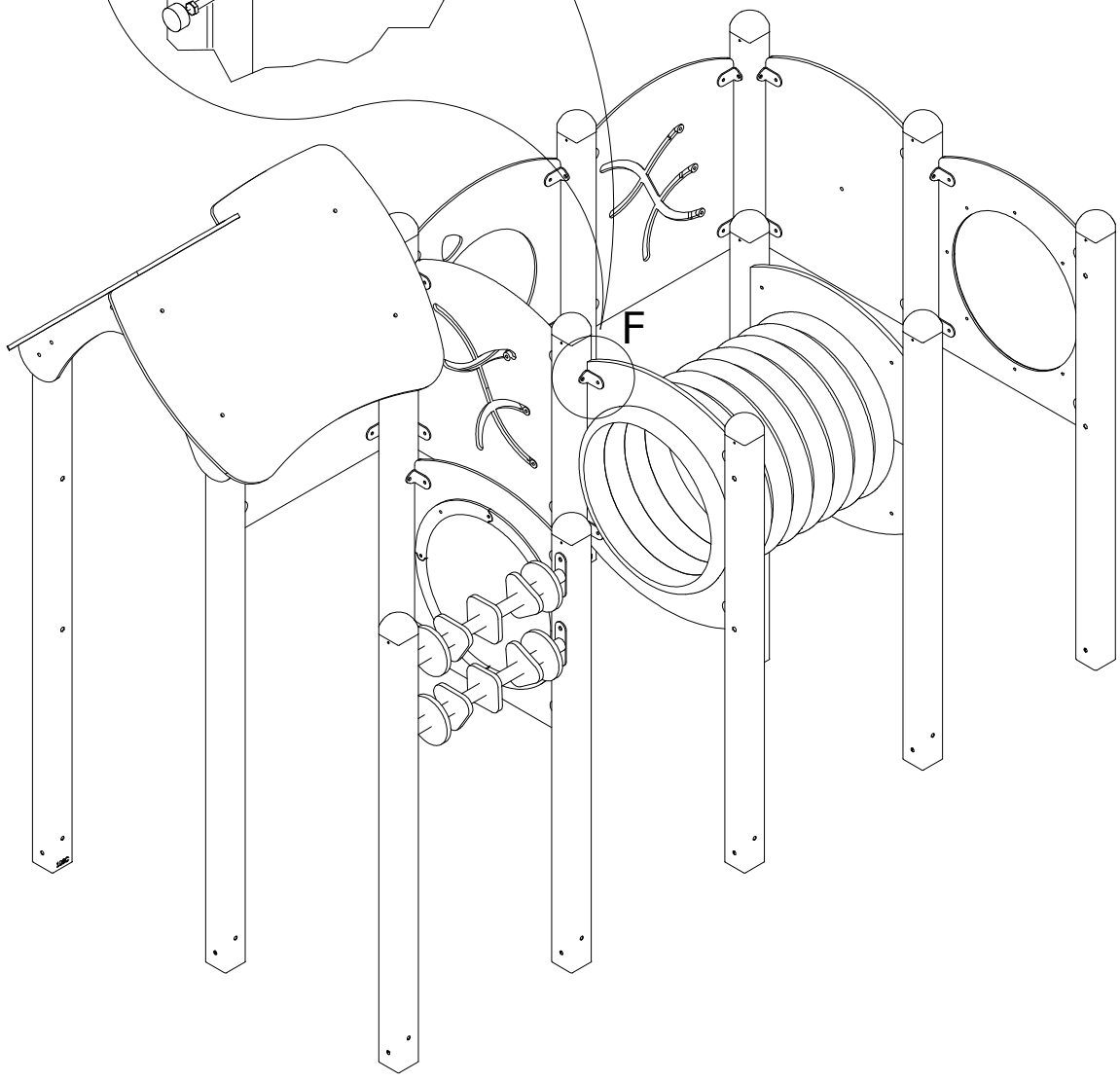
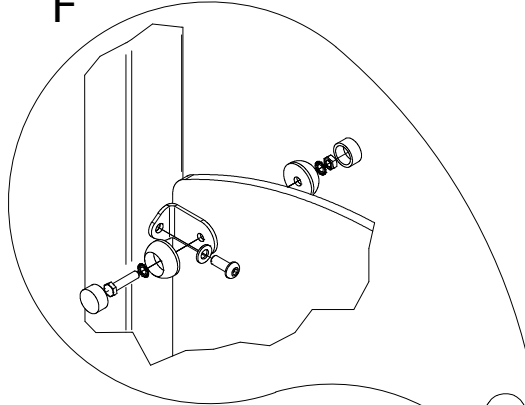
M8x35

x4

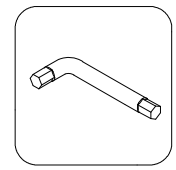
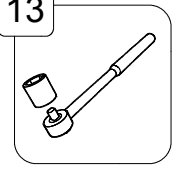
x4

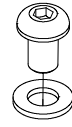
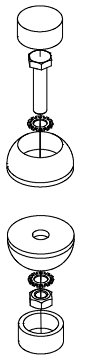
x4

F



13

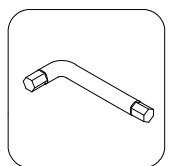
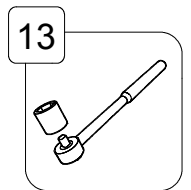
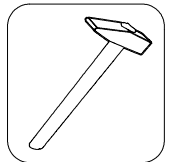
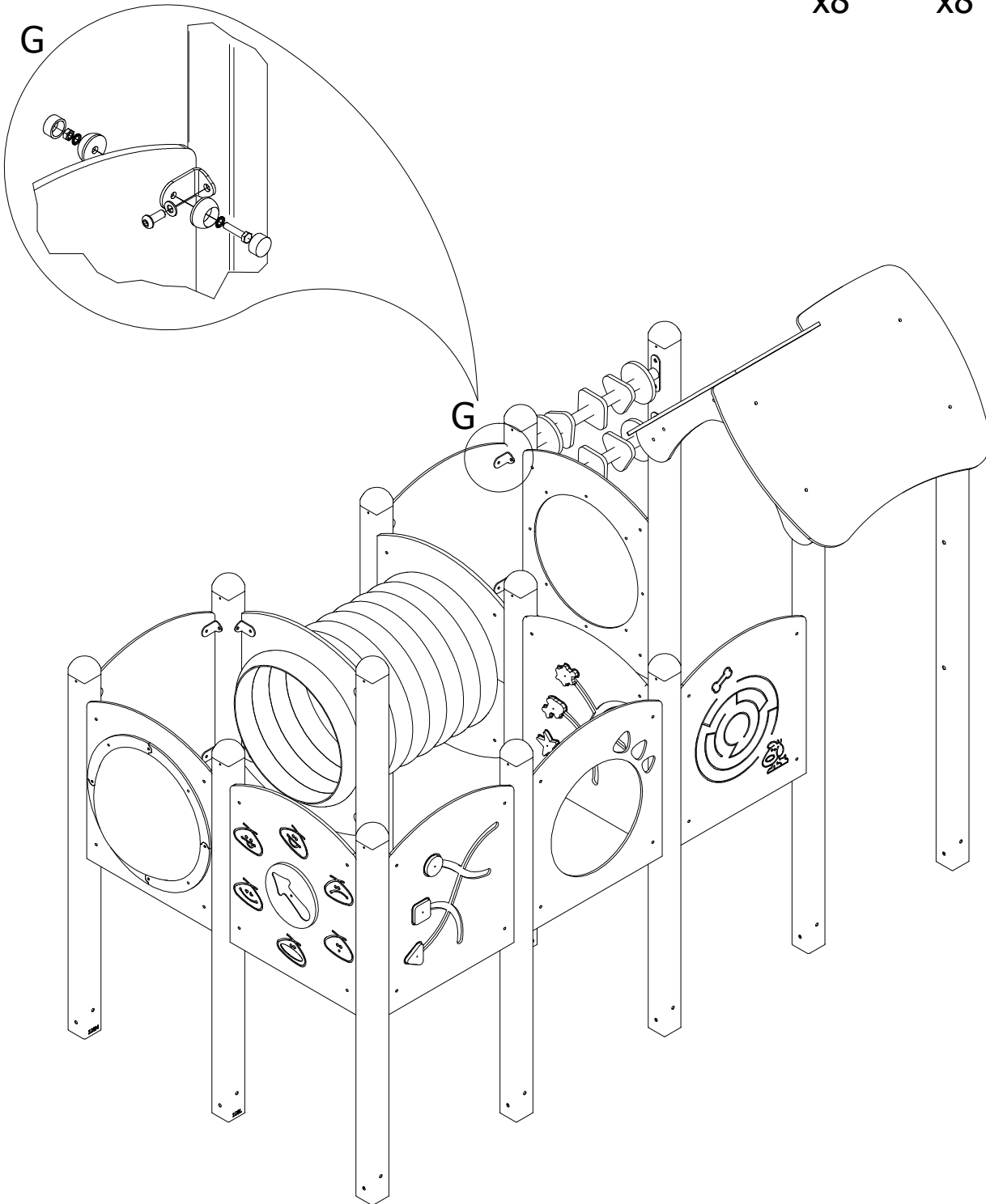


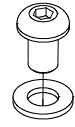
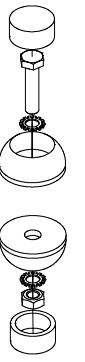


i128
x8

M10x25
x8

M8x35
x8



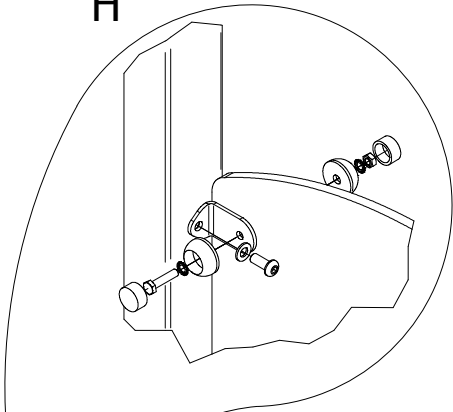


i128
x8

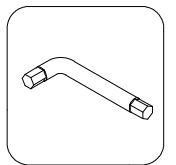
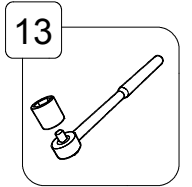
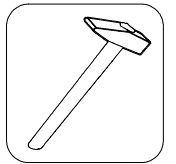
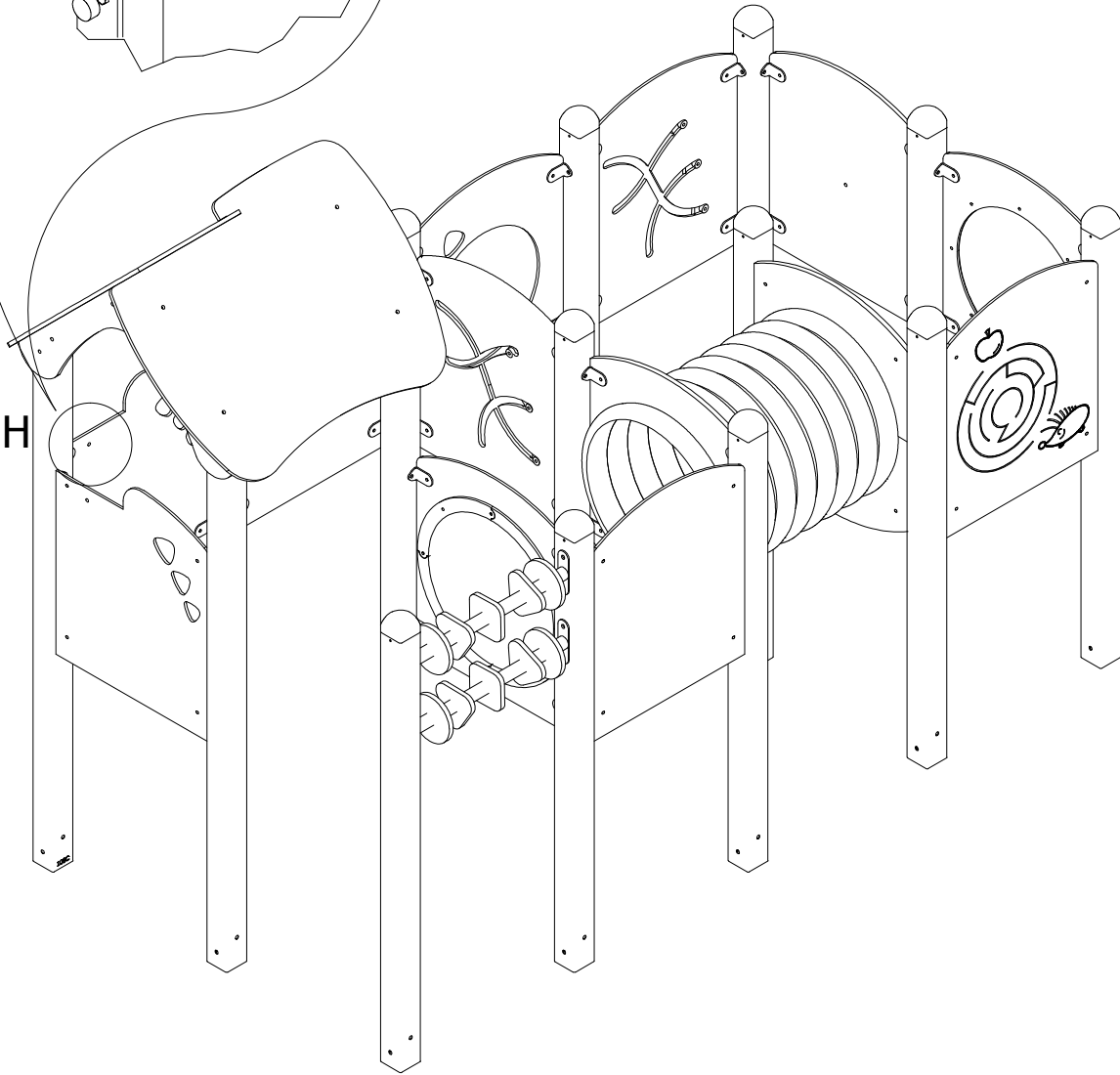
M10x25
x8

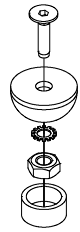
M8x35
x8

H



H





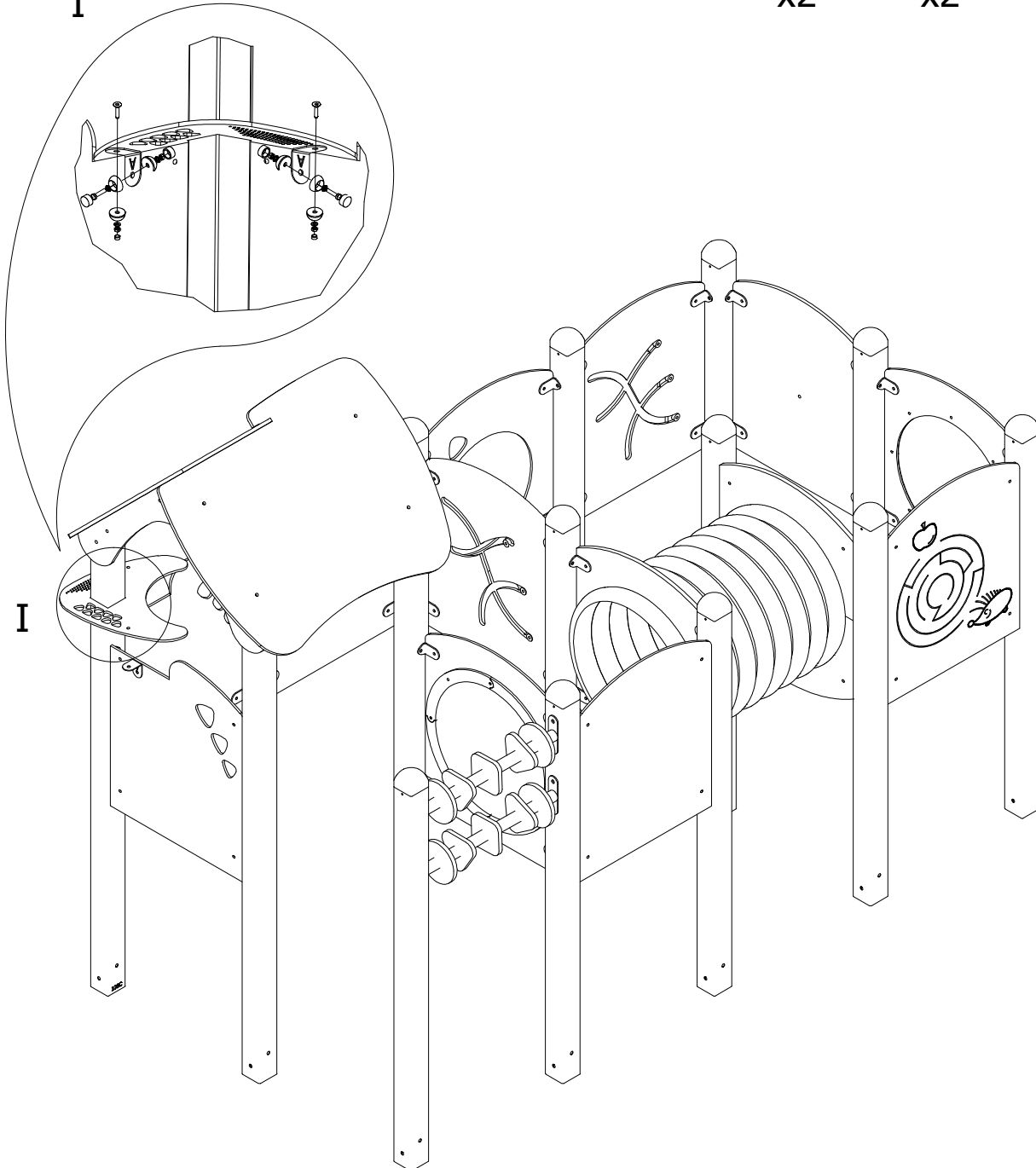
i29(A) M10x40 M8x30

x2

x2

x2

I



I

