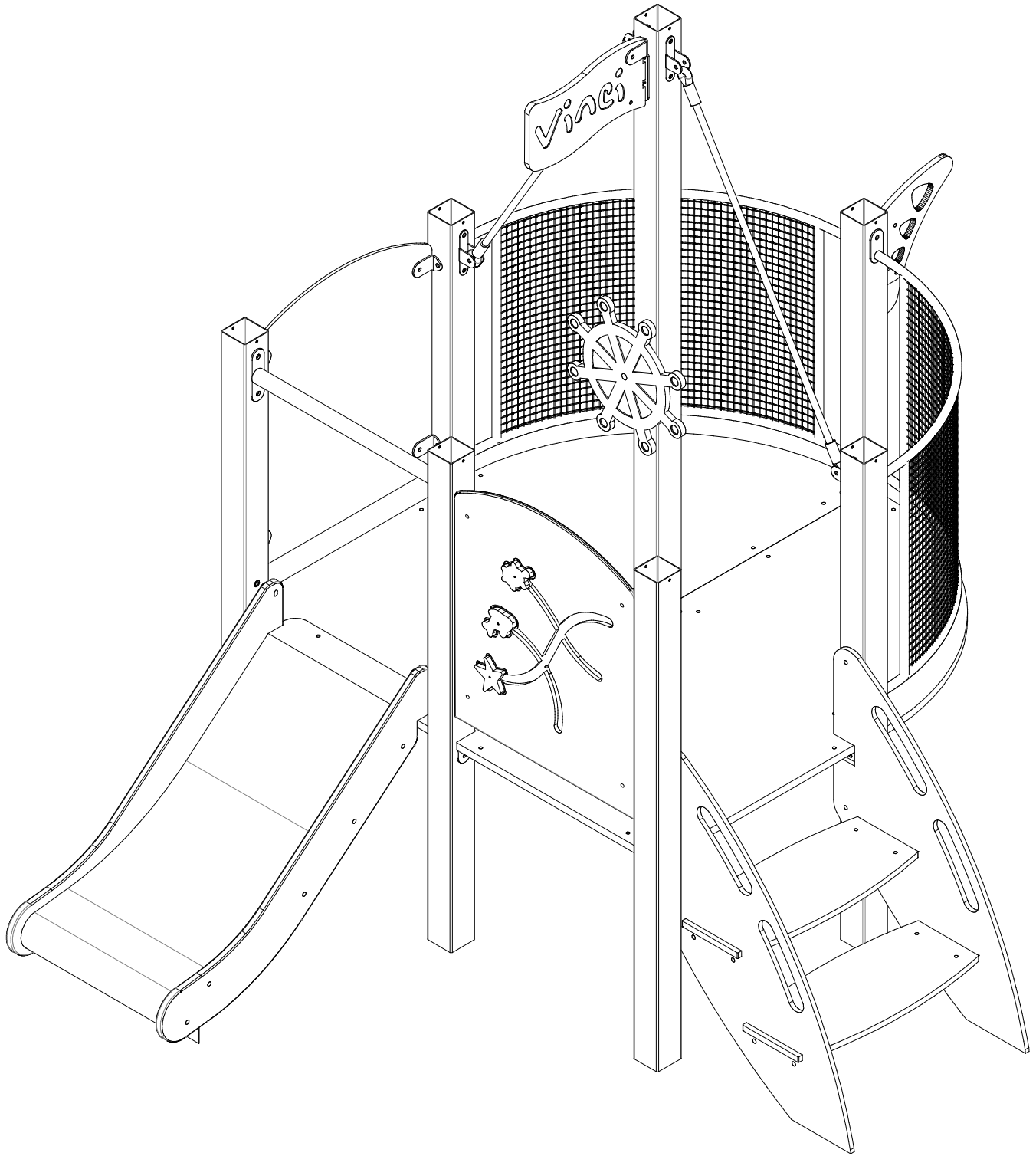


0111



[cm]

v1/07.06.17

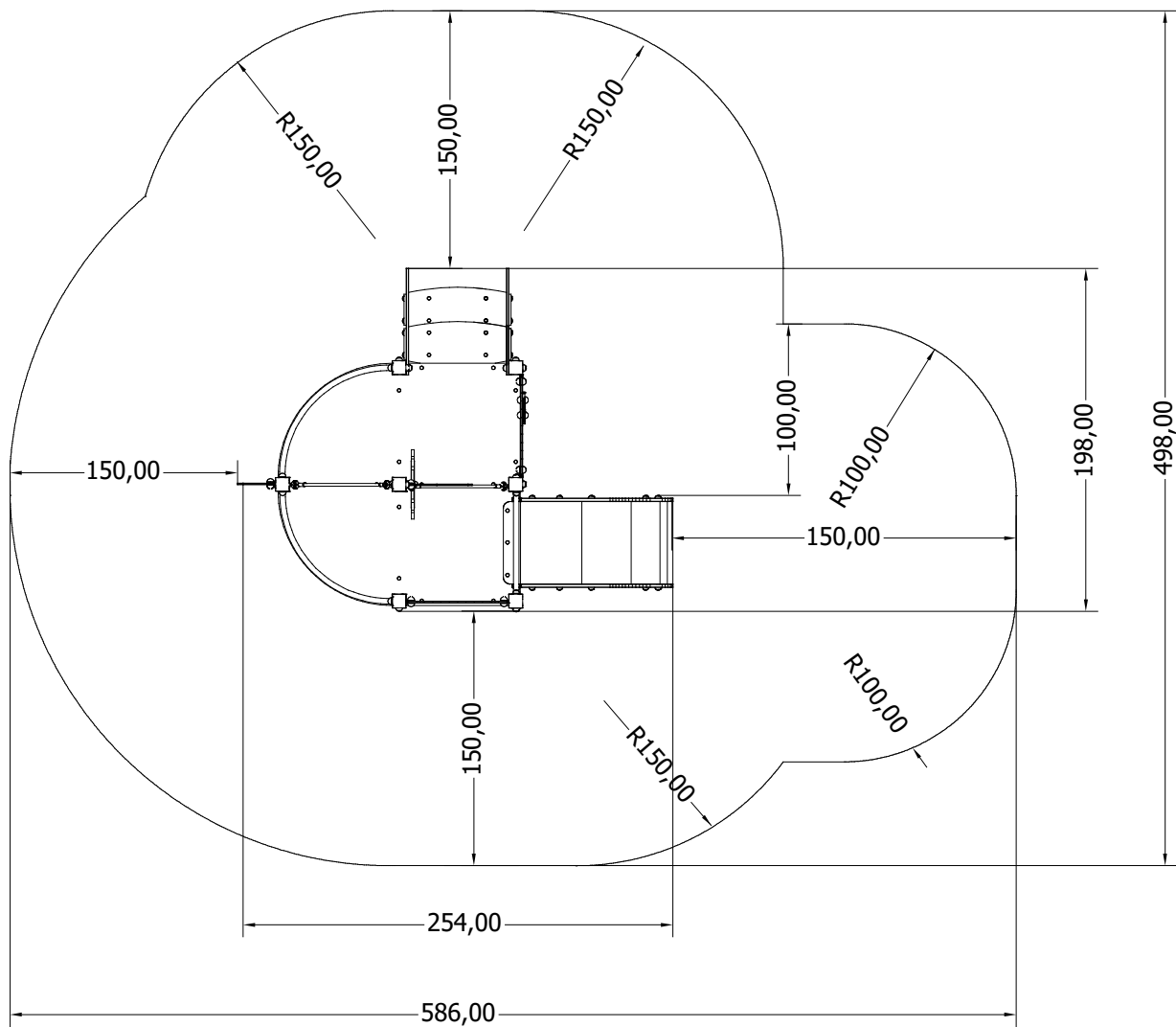
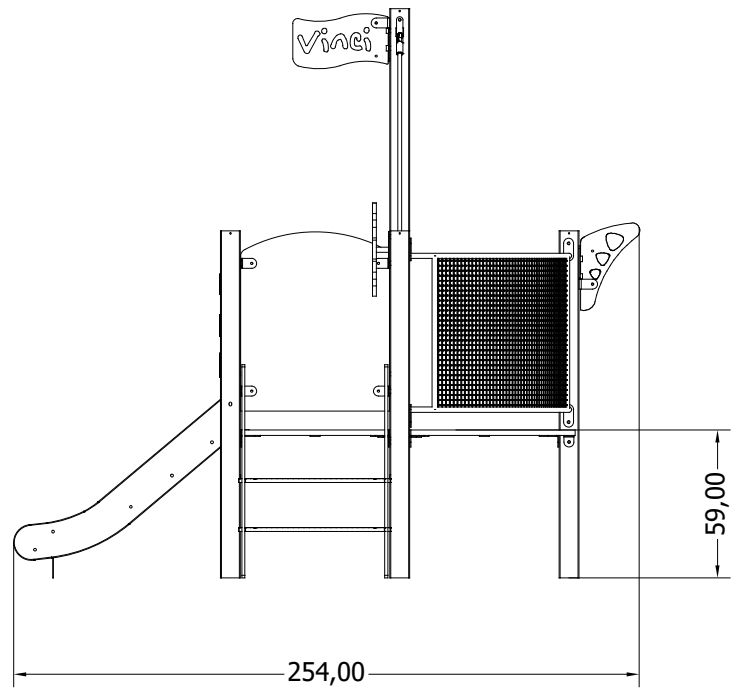
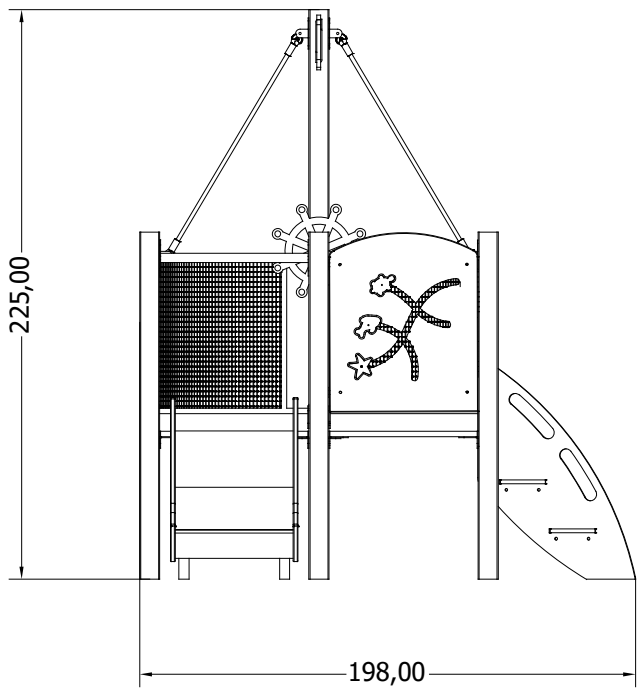


4h

59
HIC

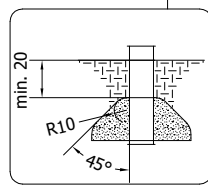
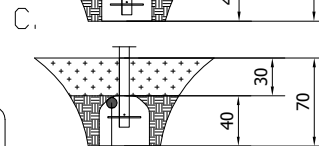
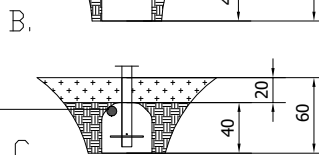
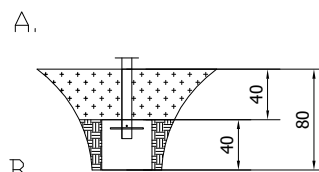
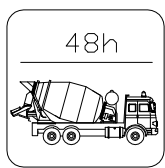
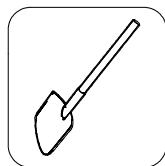
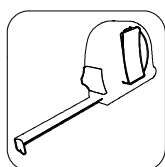
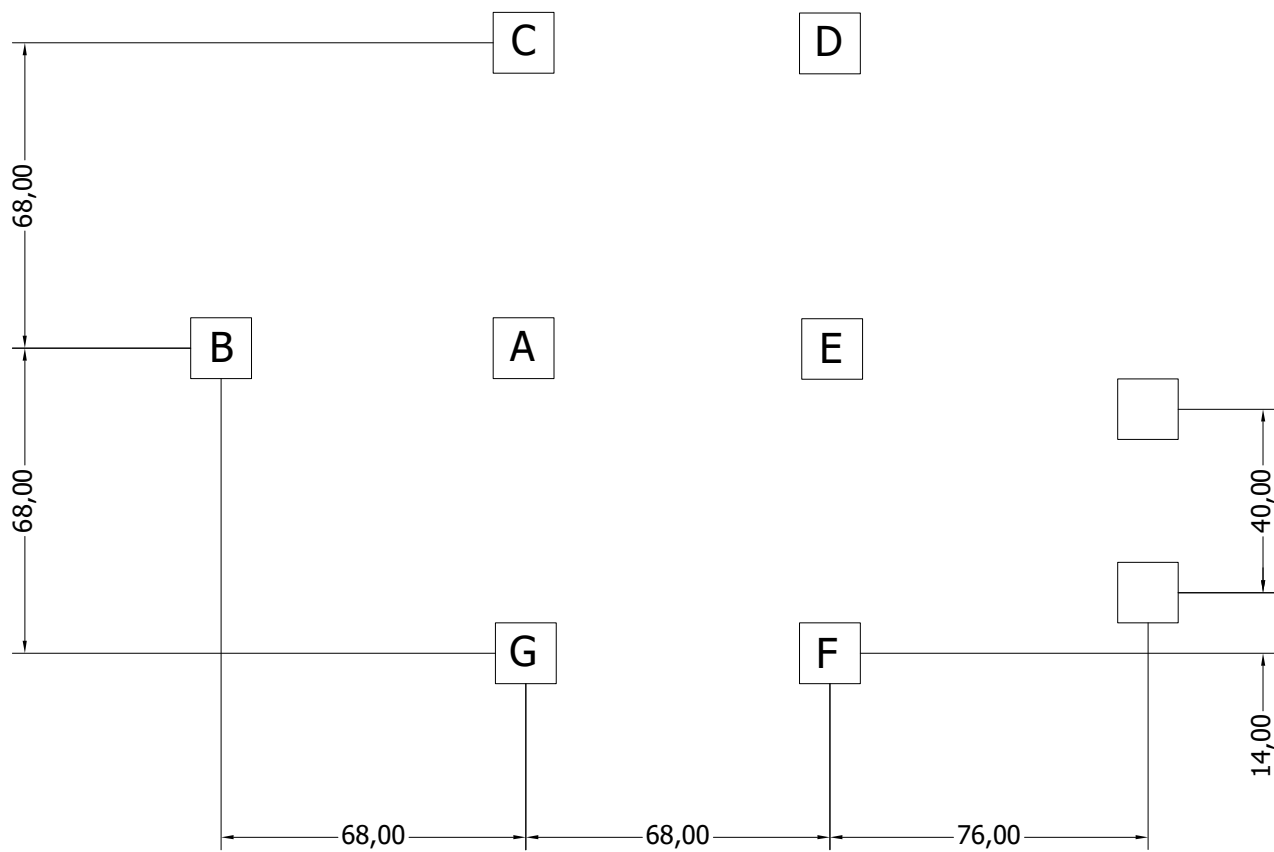


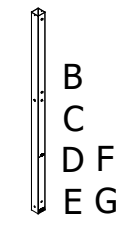
play
vinci



[cm]

play
Vinci

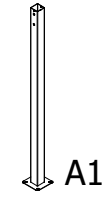




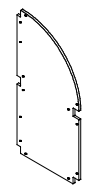
111



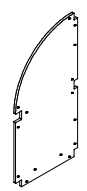
111



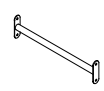
111



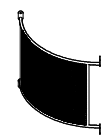
011261
x1



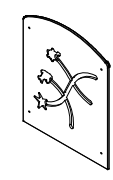
011270
x1



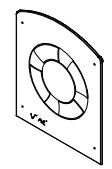
013101
x1



012102
x2



011111
x1



011104
x1



991111
x1



991110
x1



991112
x1



991124
x3



991127
x3



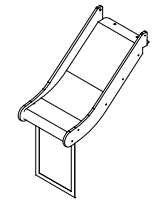
145107
x4



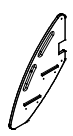
991106
x1



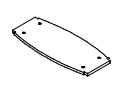
011138
x1



994108
x1



011127
x2



011126
x2



991104
x1



991128
x1



991118
x1



i137
x2



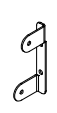
i128
x8



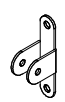
i130
x14



i21
x2



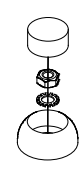
i93
x2



i82
x4



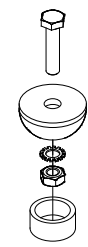
M10x50
x2



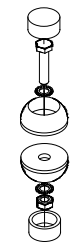
M10
x1



M8x80
x2



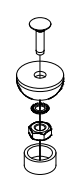
M8x35
x2



M8x35
x8



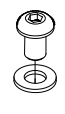
M8x55
x4



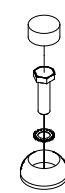
M8x40
x24



M8x60
x3



M10x25
x26



M10x35
x12



M10x45
x8



M8x65
x4



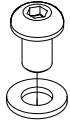
i130
x14



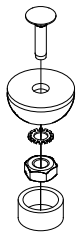
i137
x2



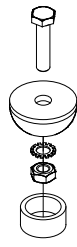
i21
x2



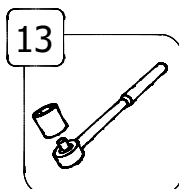
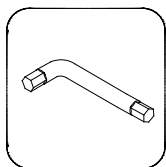
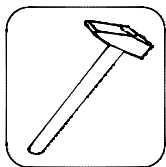
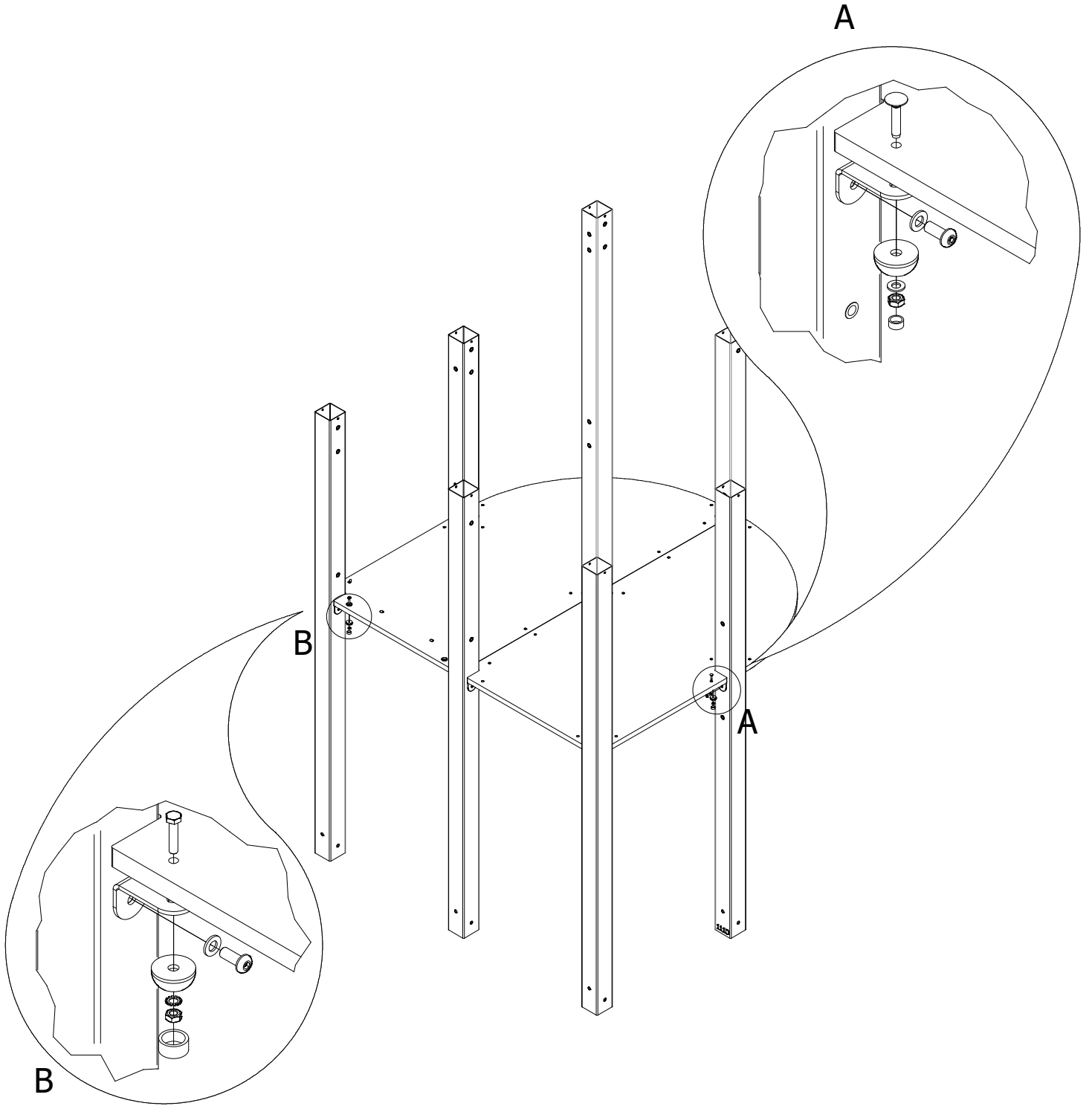
M10x25
x16

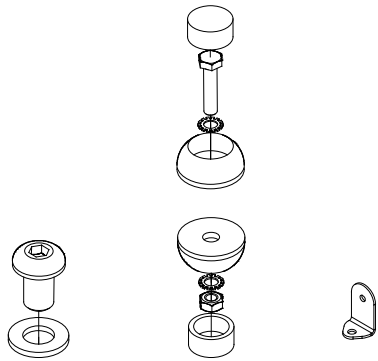
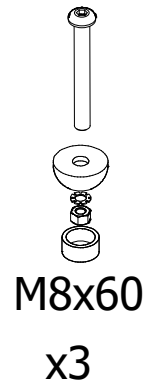
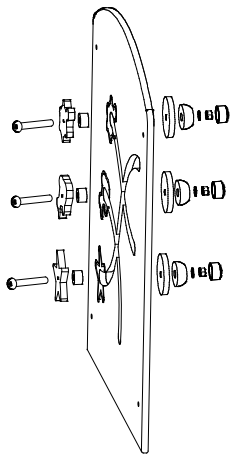


M8x40
x14

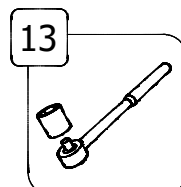
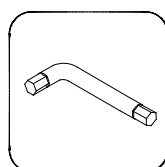
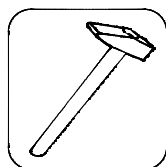
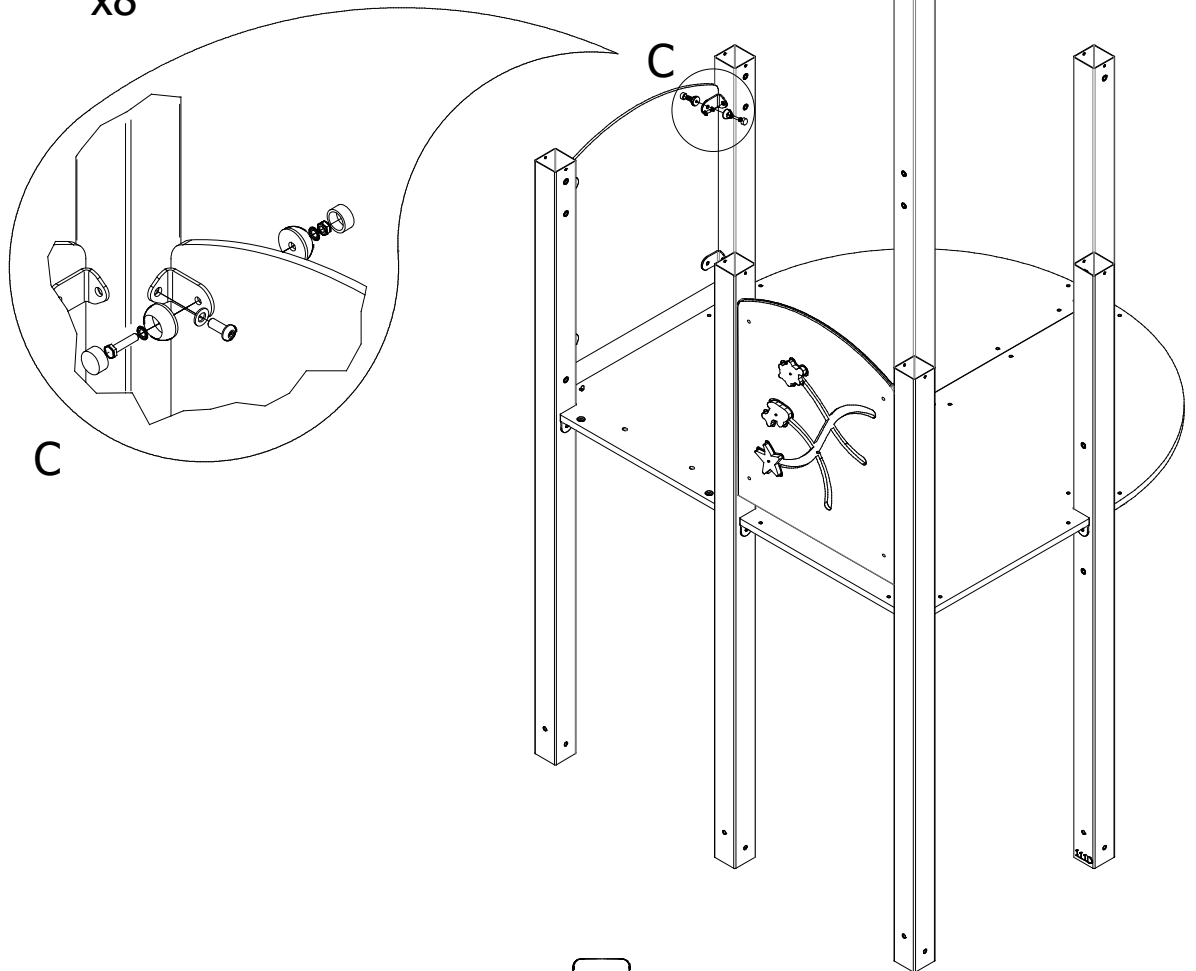


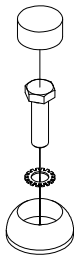
M8x35
x2



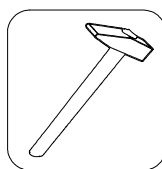
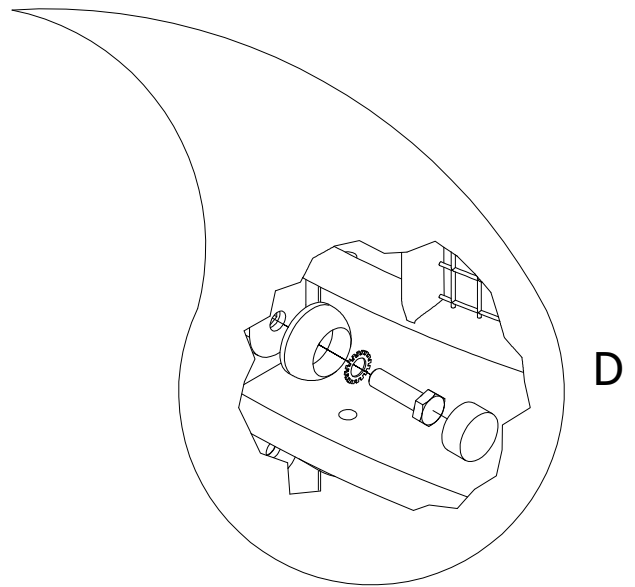
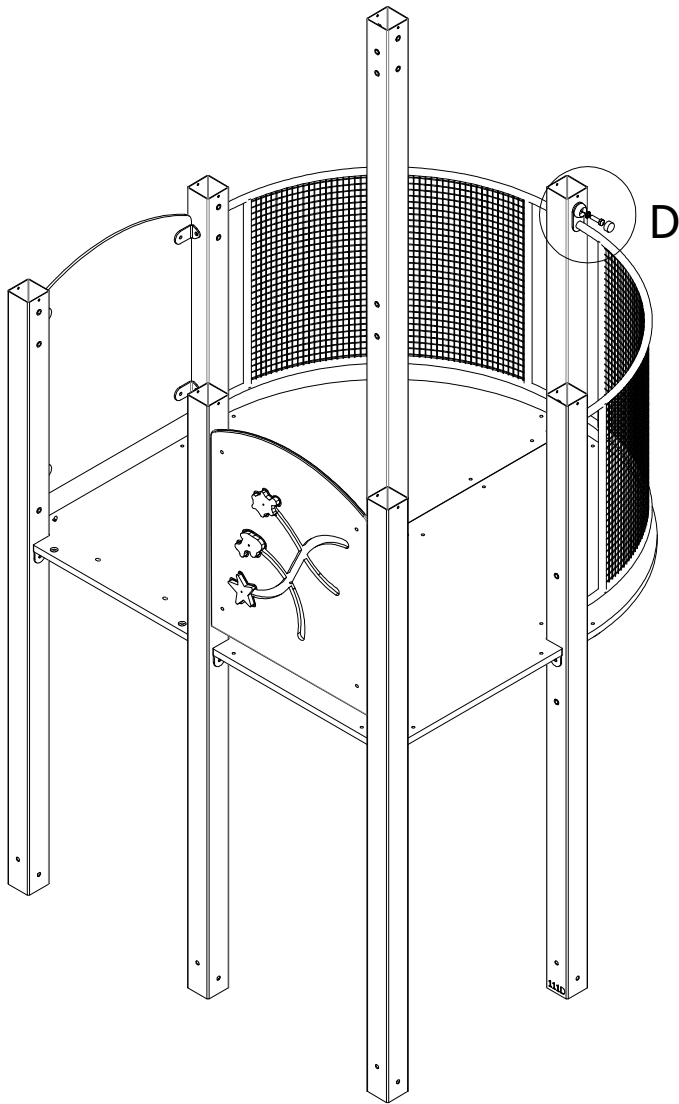


M10x25 x8
M8x35 x8
i128 x8

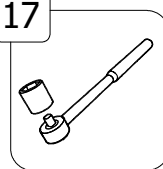


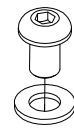


M10x35
x8

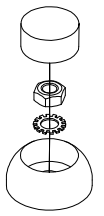


17



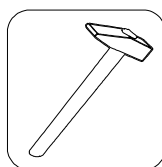
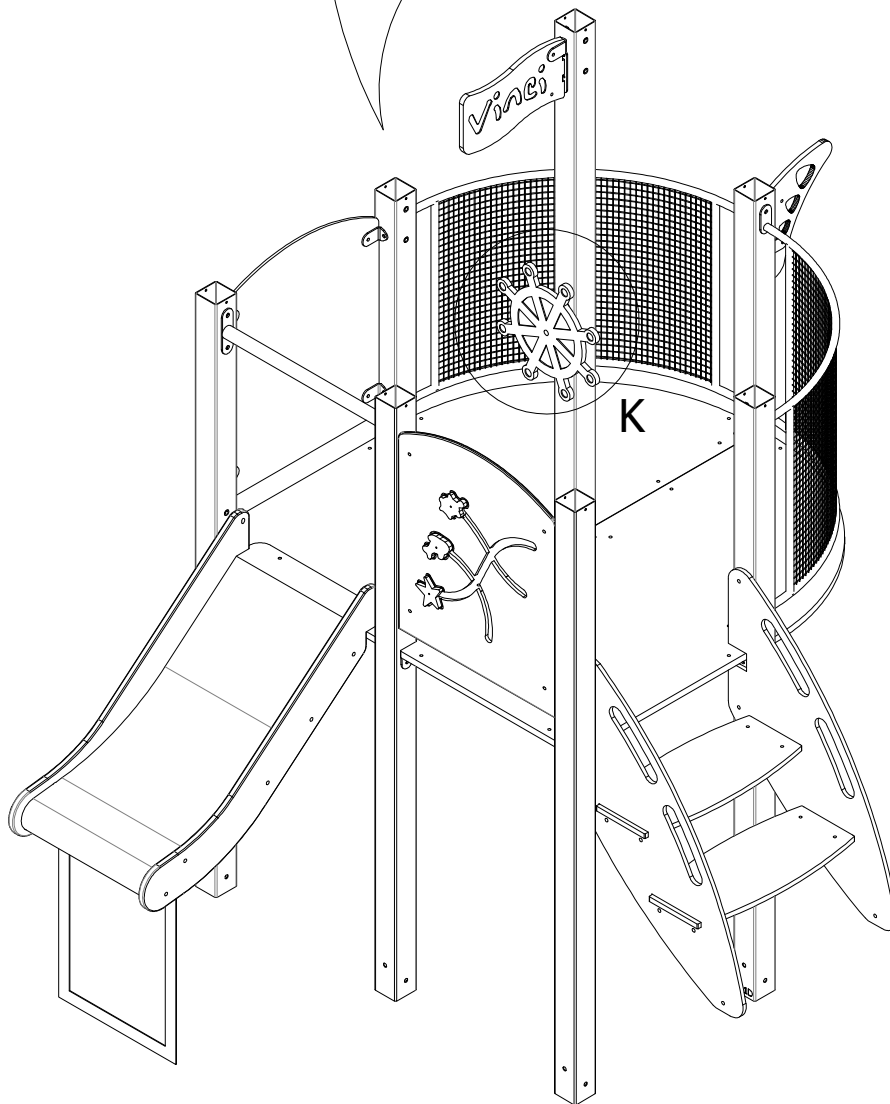
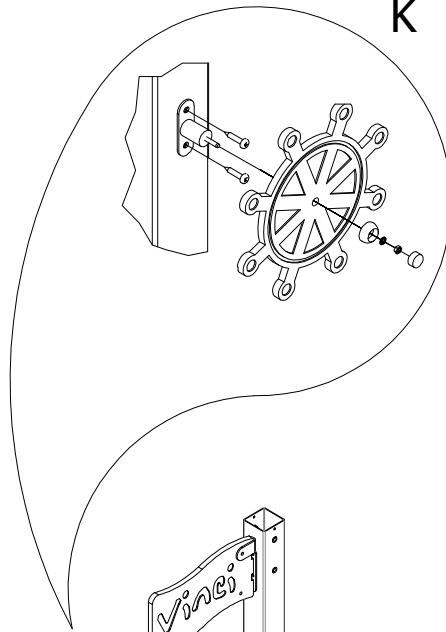


M10x25
x2

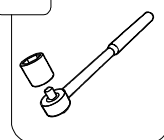


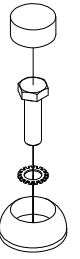
M10
x1

K

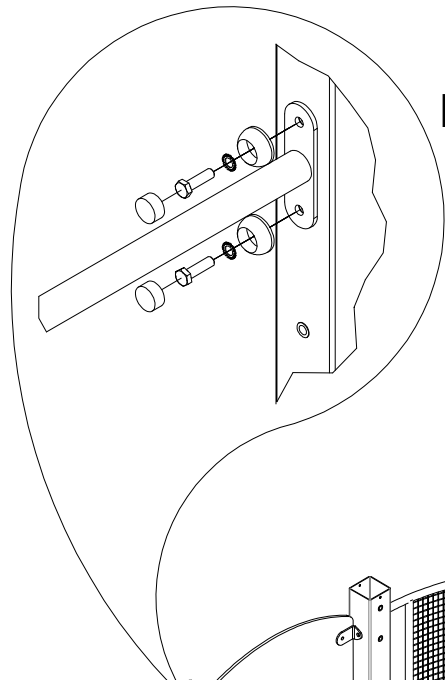


17



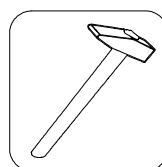
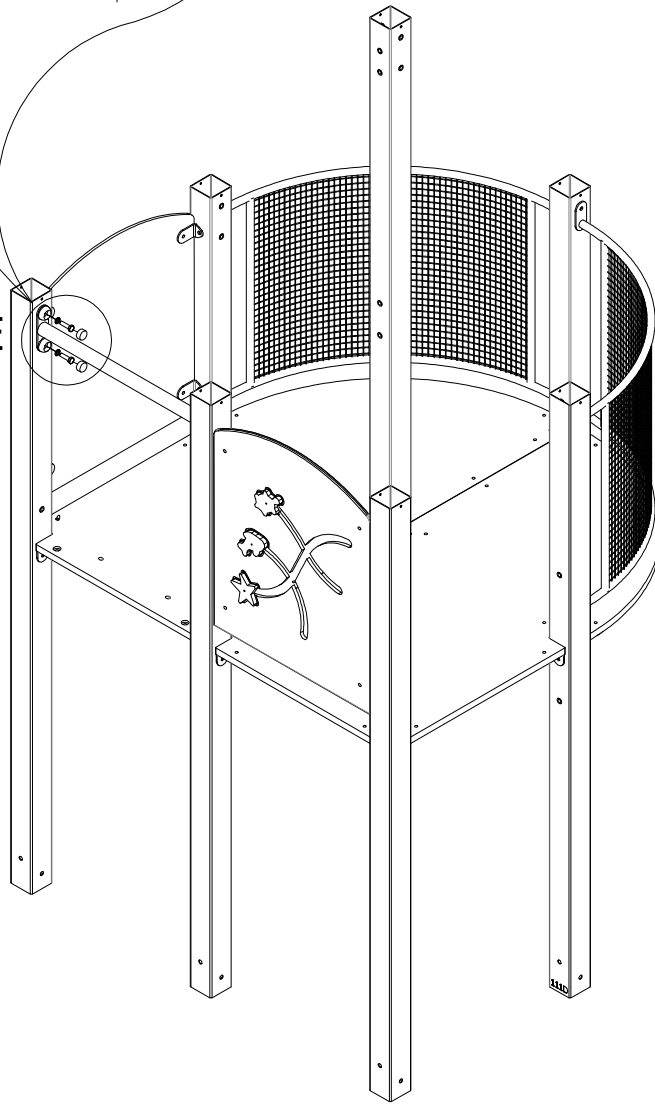


M10x35
x4

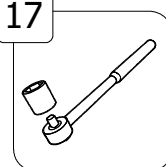


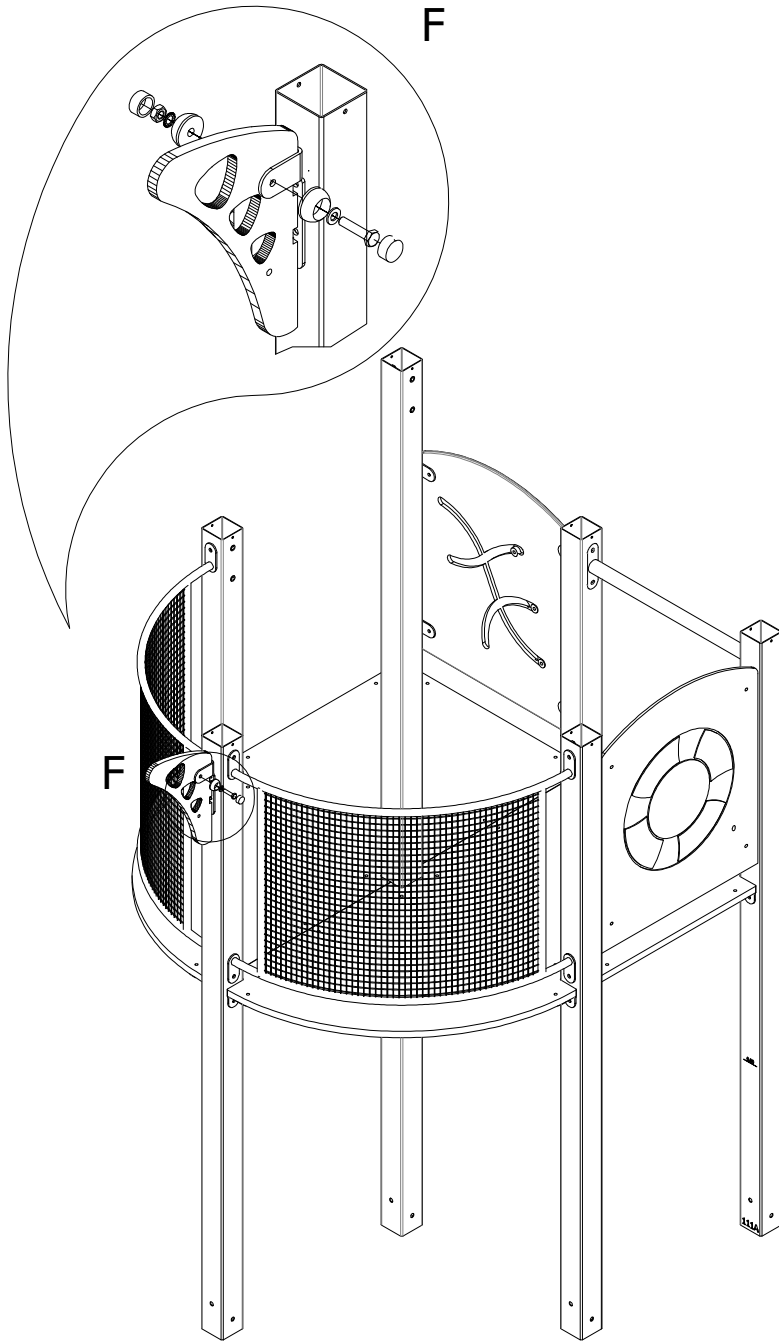
E

E



17





i93

x1

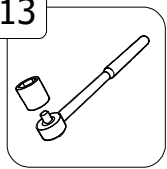


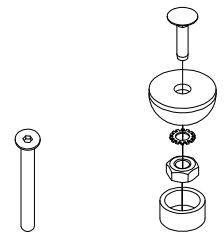
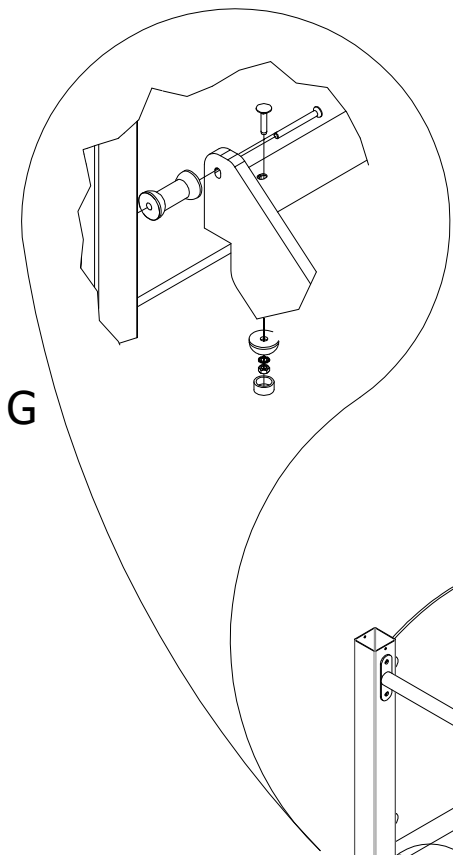
M8x55

x2

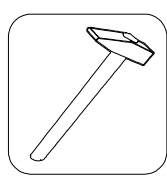
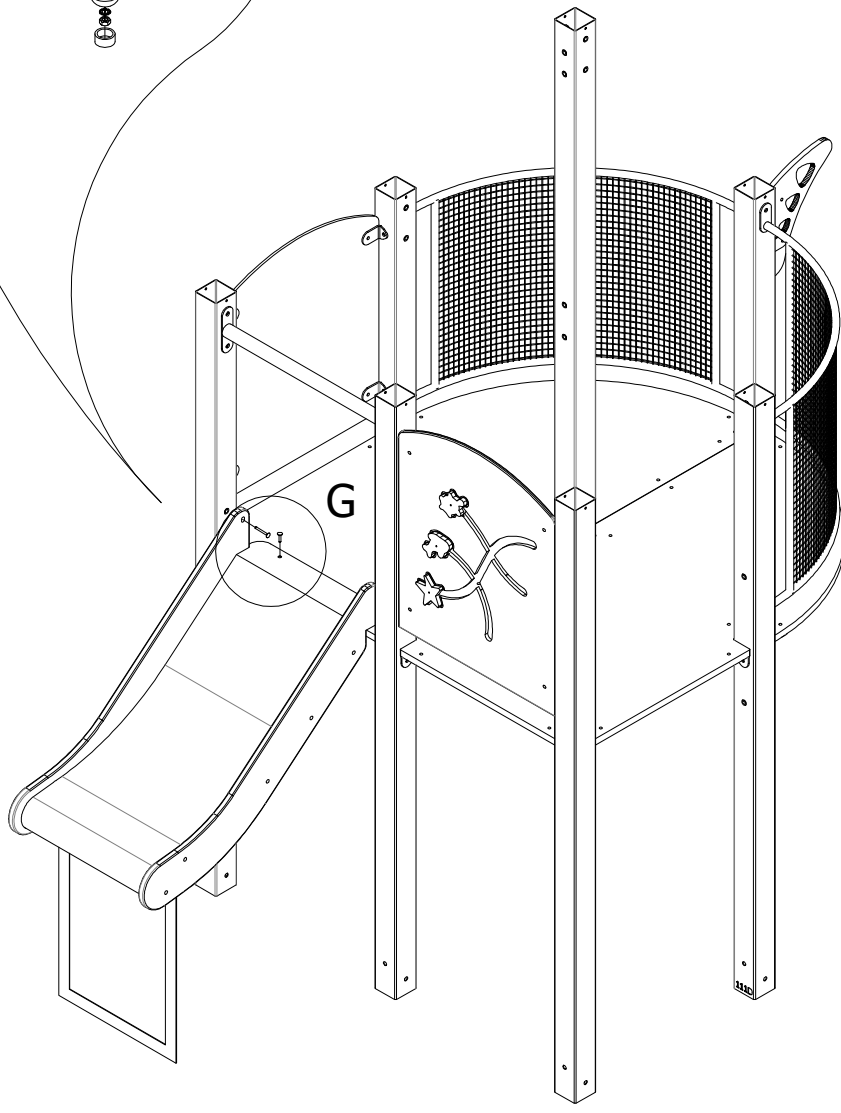


13

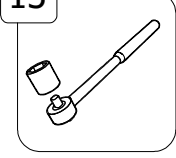


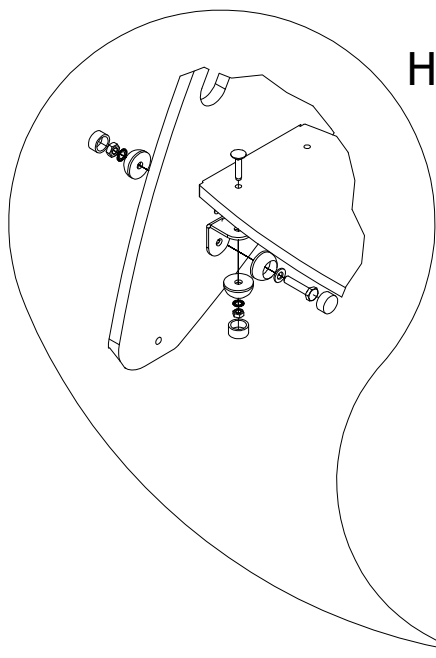


M8x80 M8x40
x2 x2

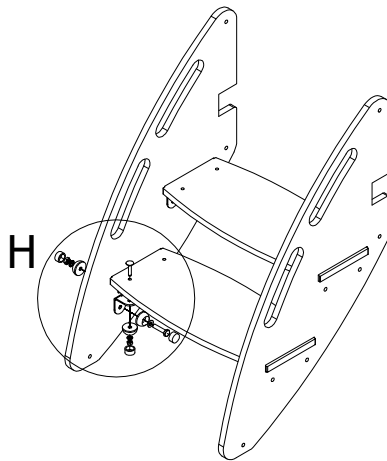


13

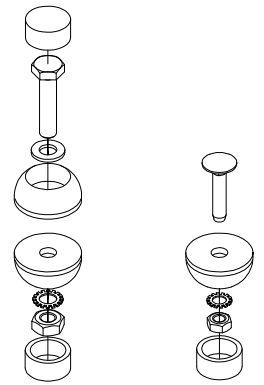




H



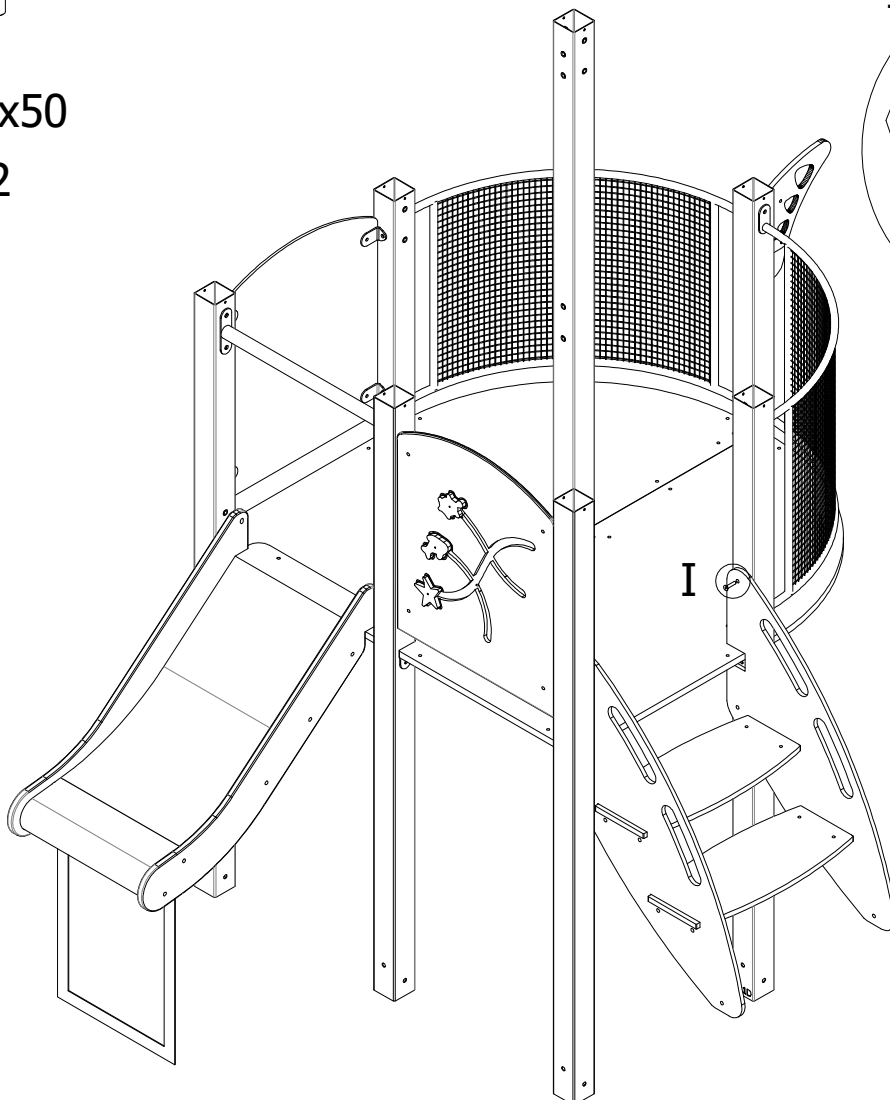
H



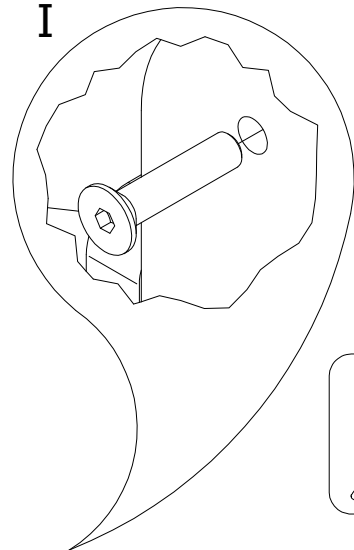
M10x45 M8x40
x8 x8



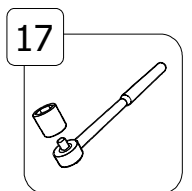
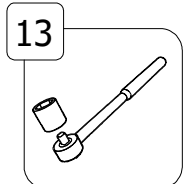
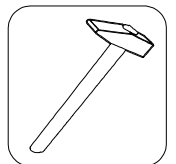
M10x50
x2



I



I





i93

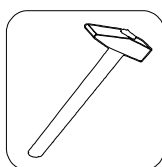
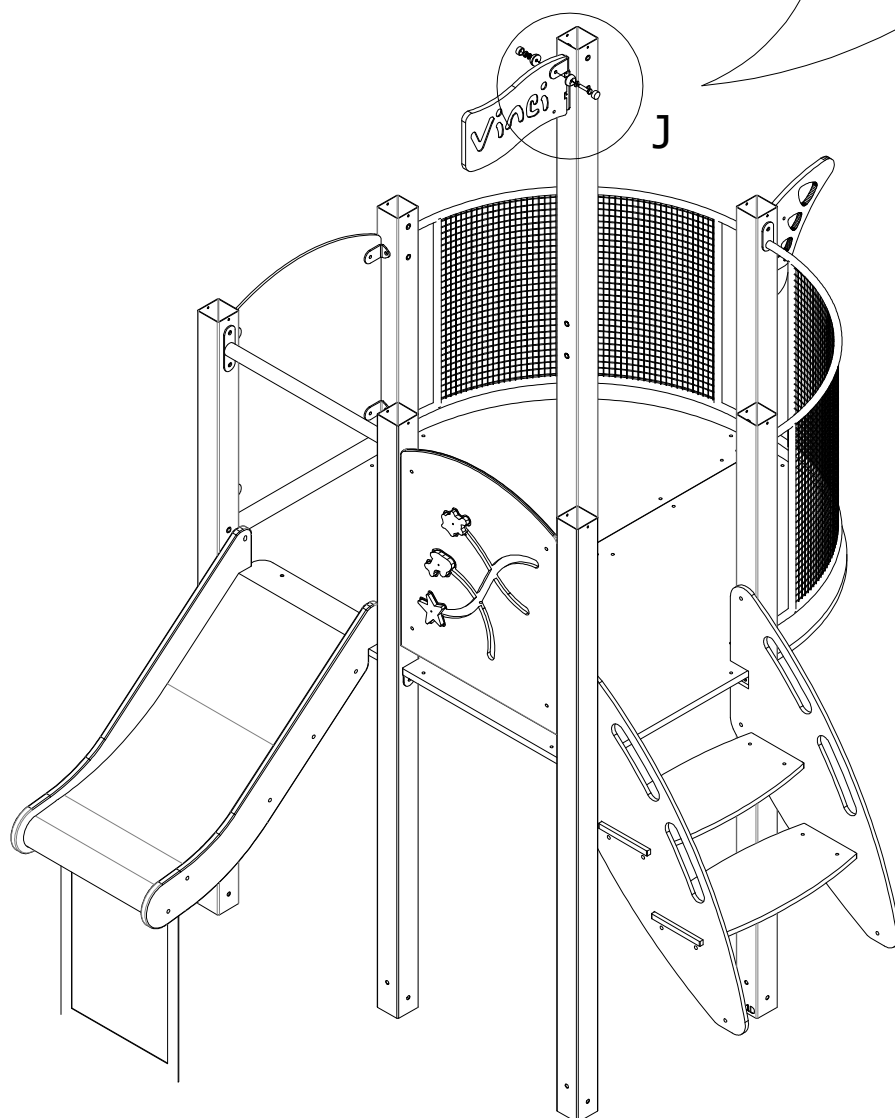
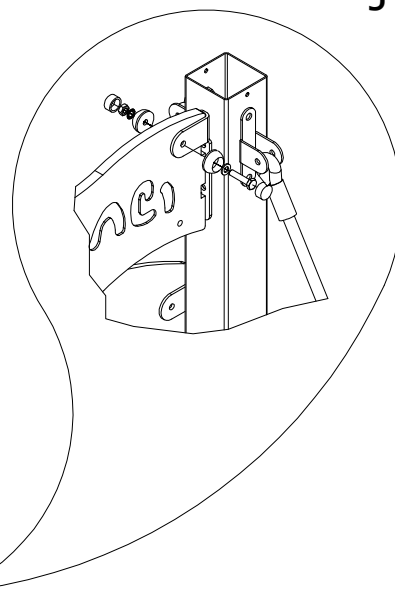
x1



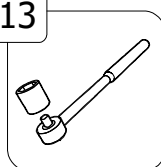
M8x55

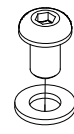
x2

J

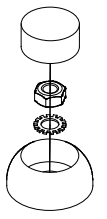


13



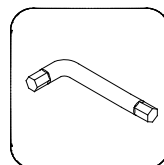
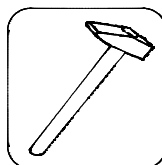
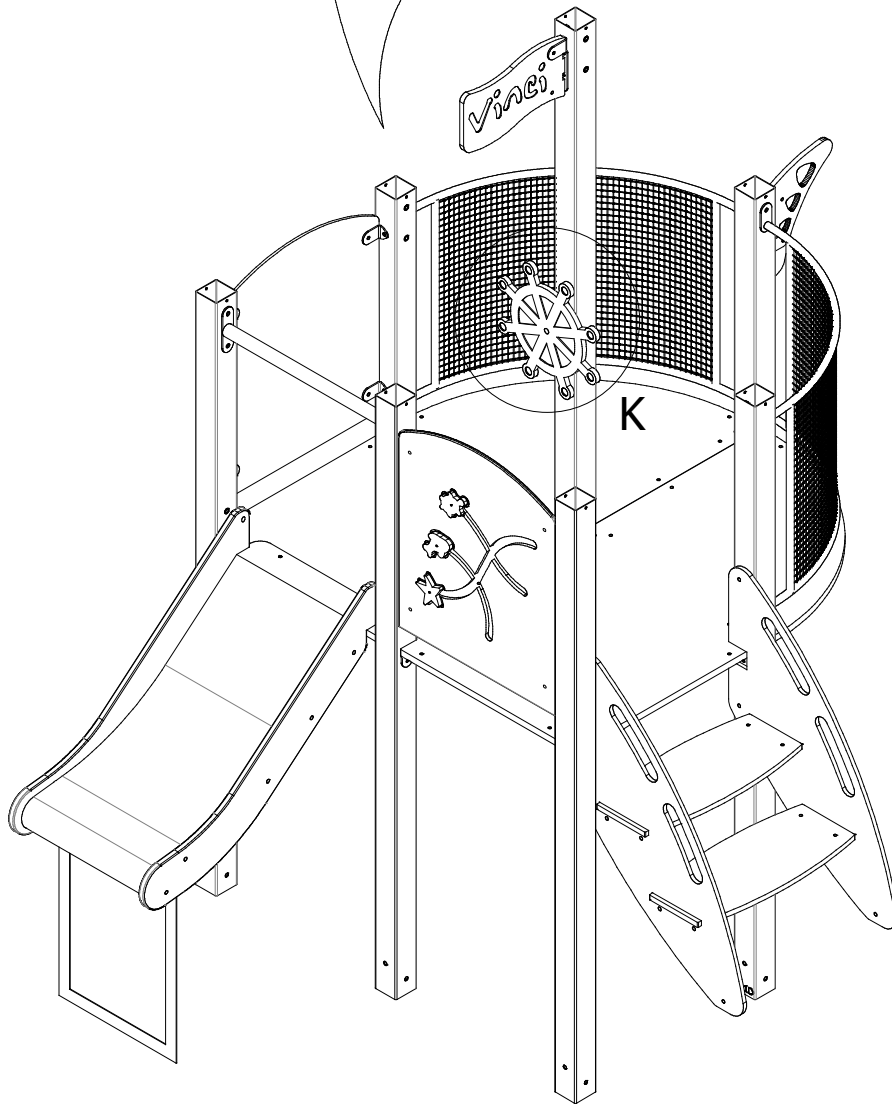
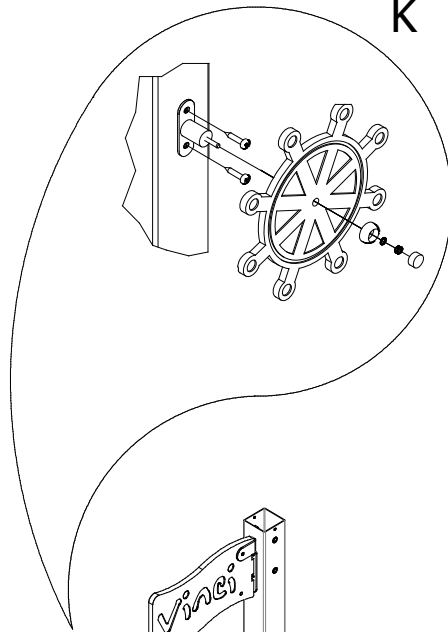


M10x25
x2



M10
x1

K





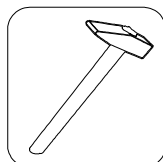
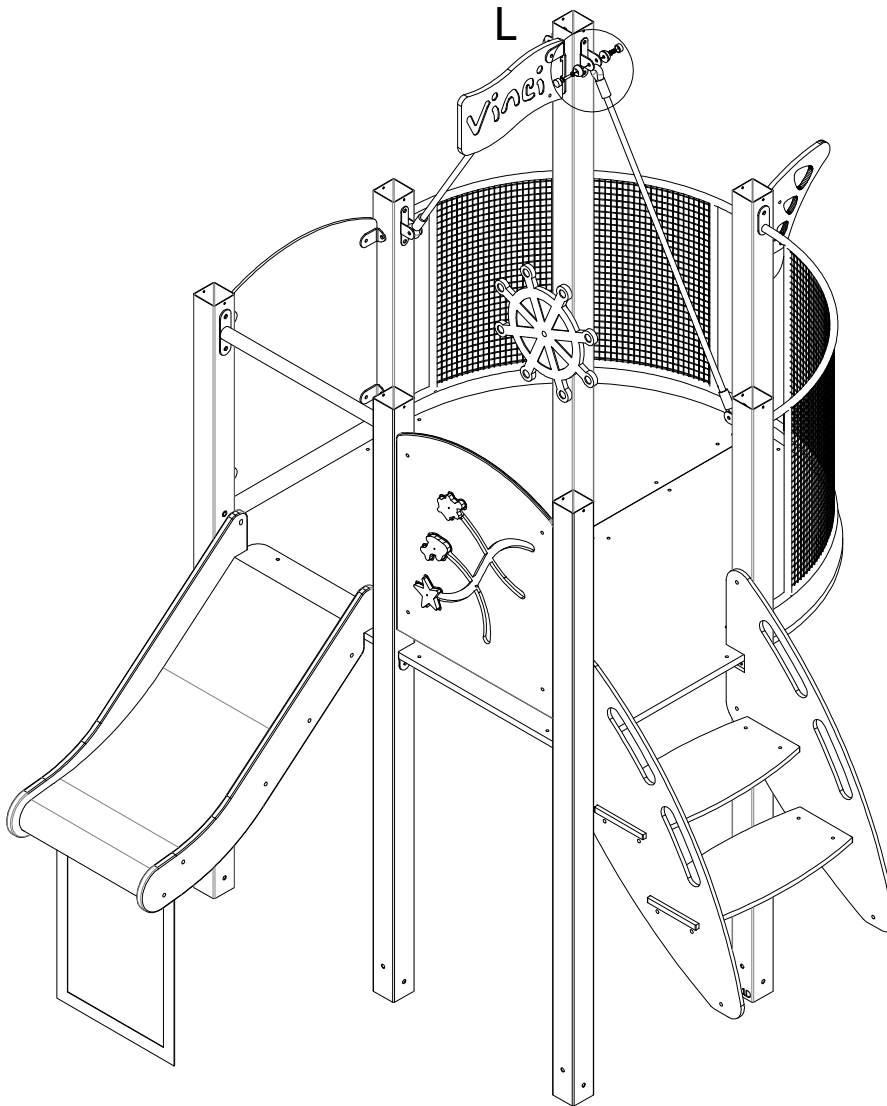
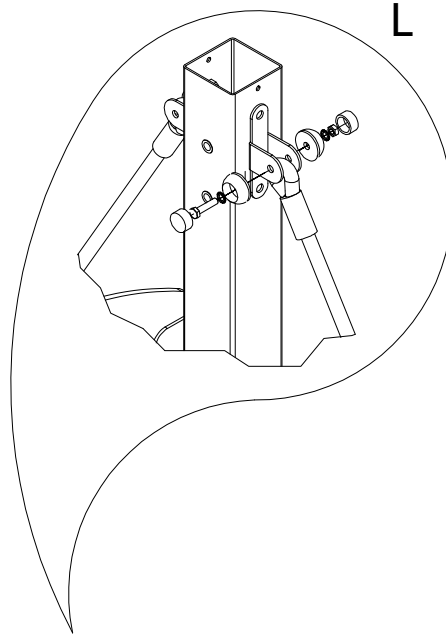
i82

x4



M8x65

x4



13

