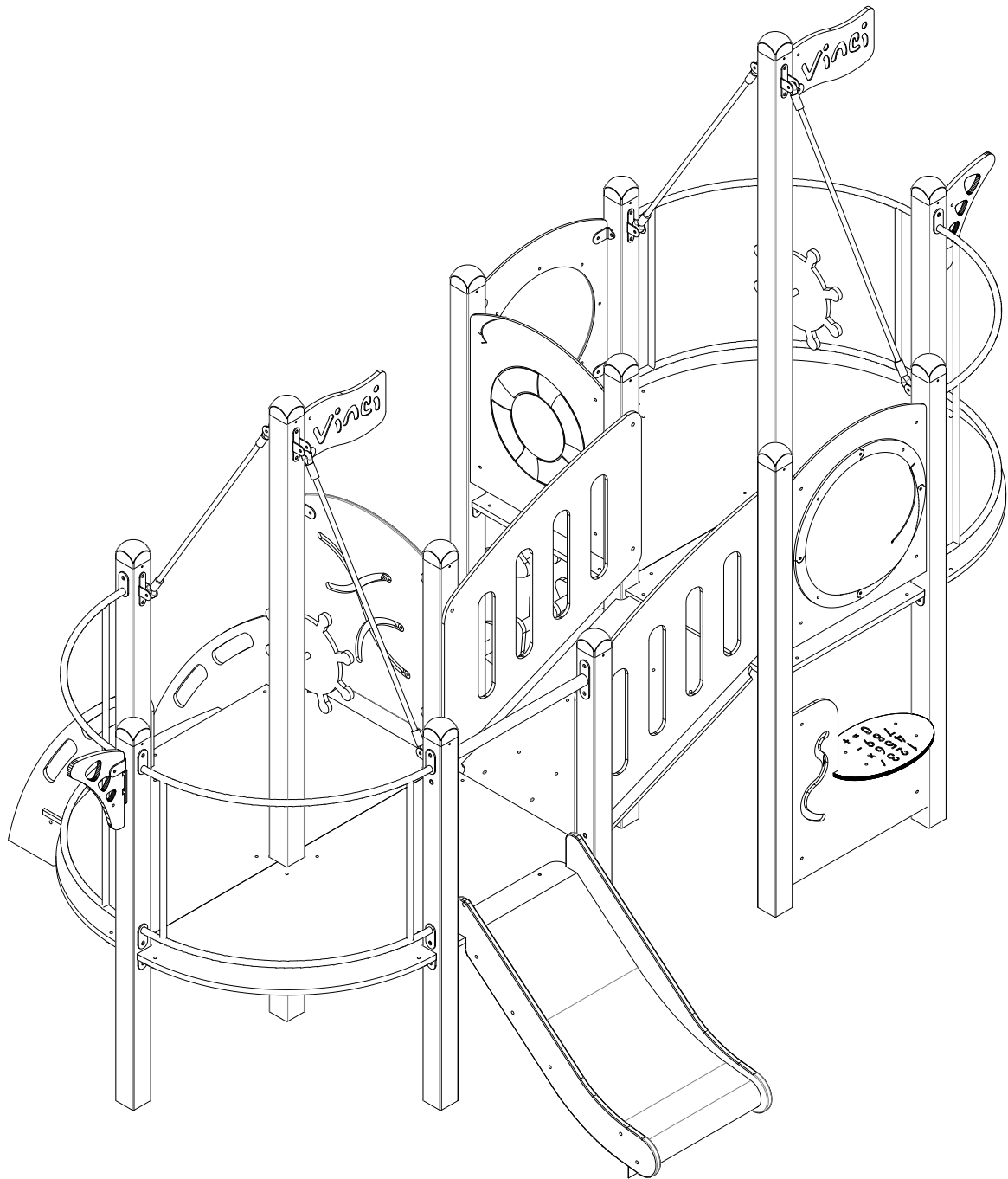


0113



[cm]
v2/07.09.17



8h

90
HIC

13

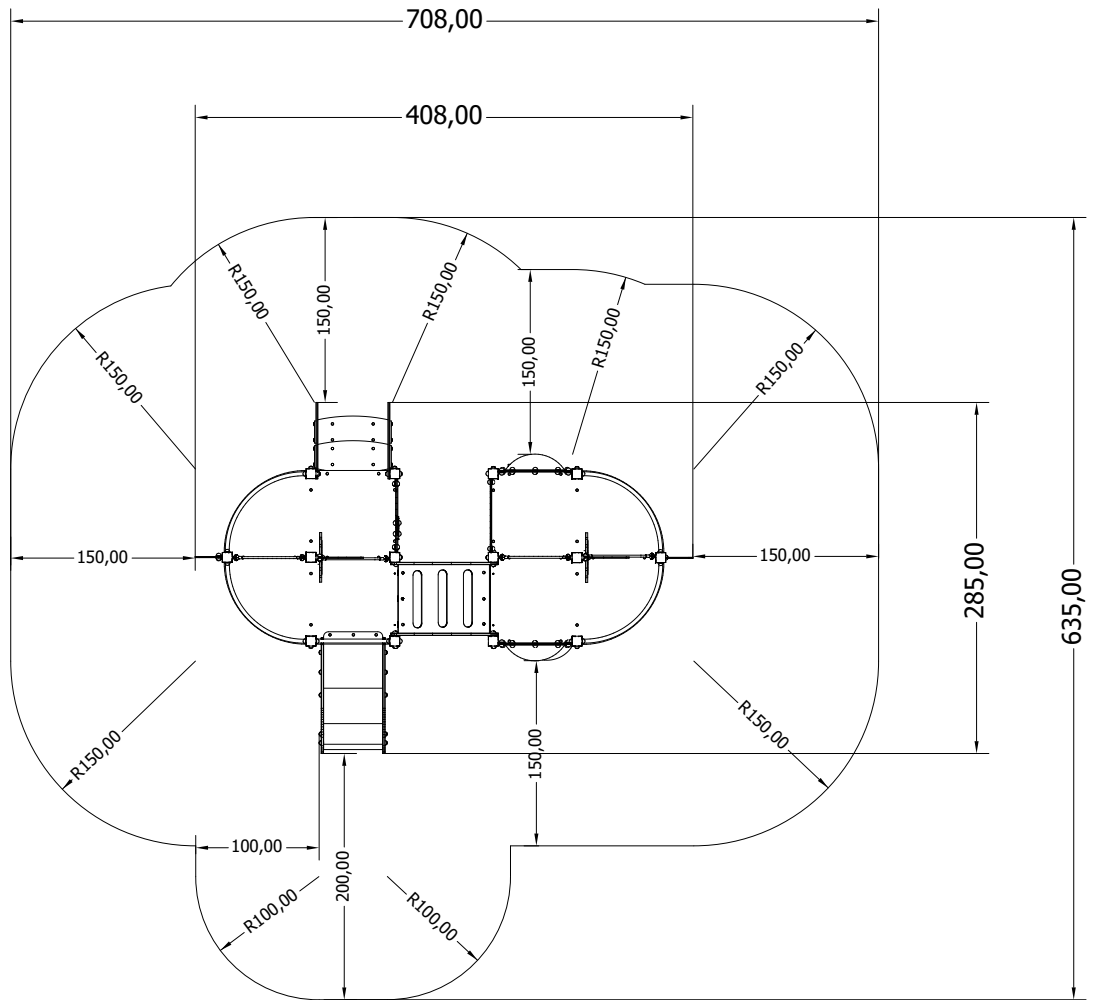
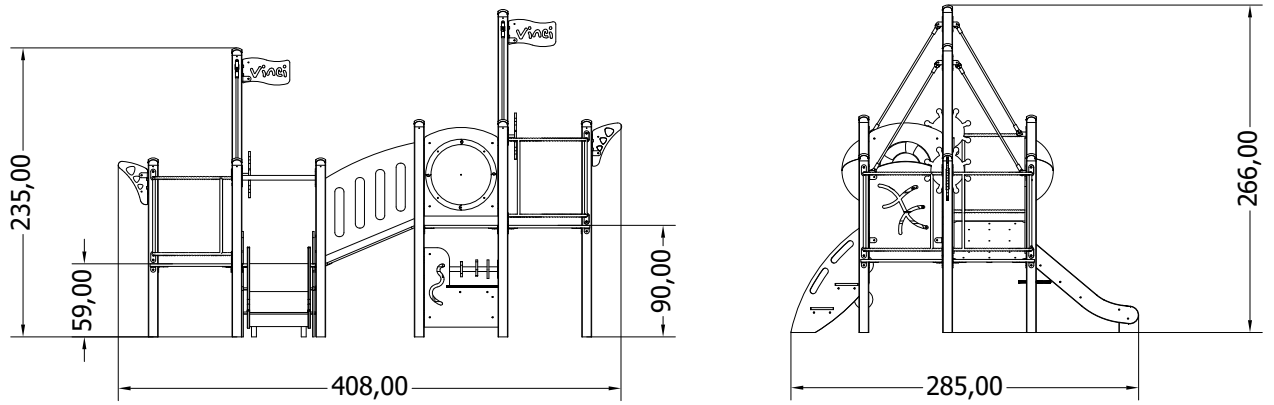


17

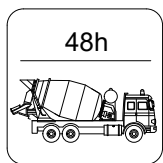
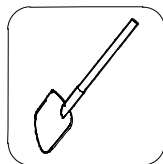
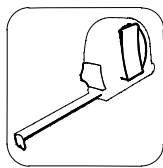
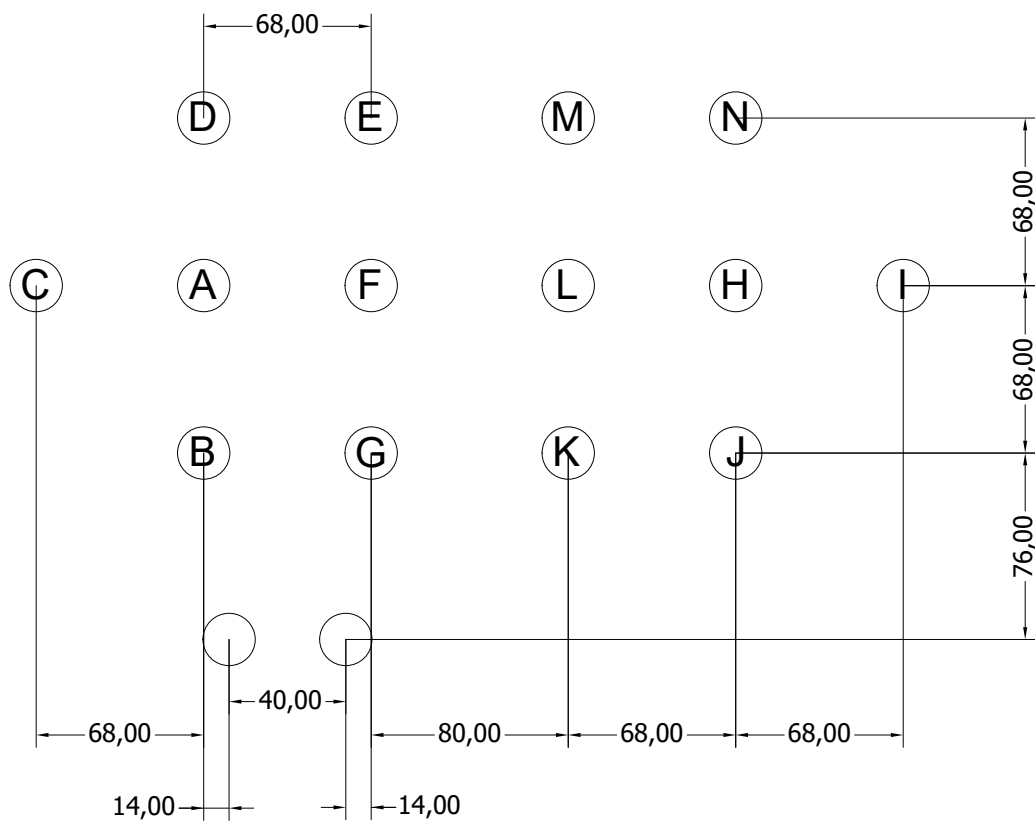


48h

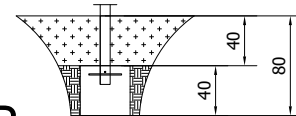
play
Vinci



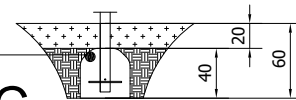
[cm]



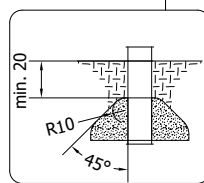
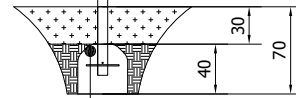
A.

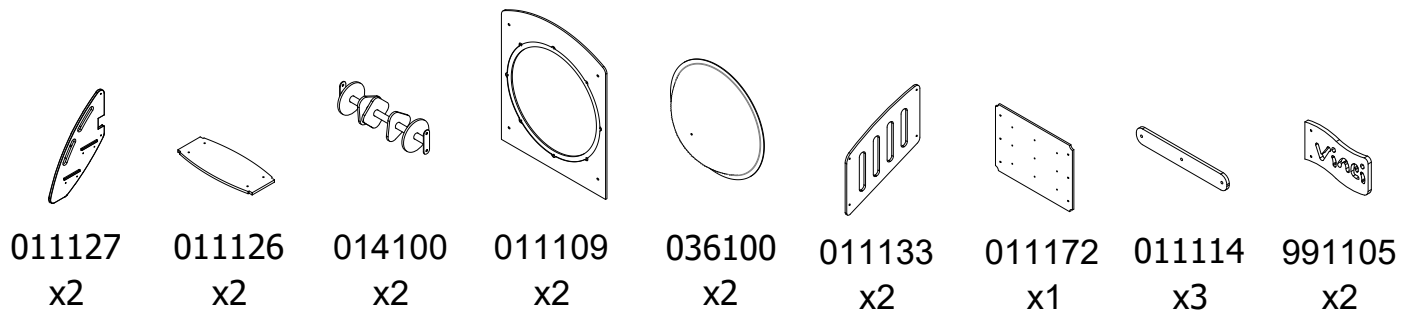
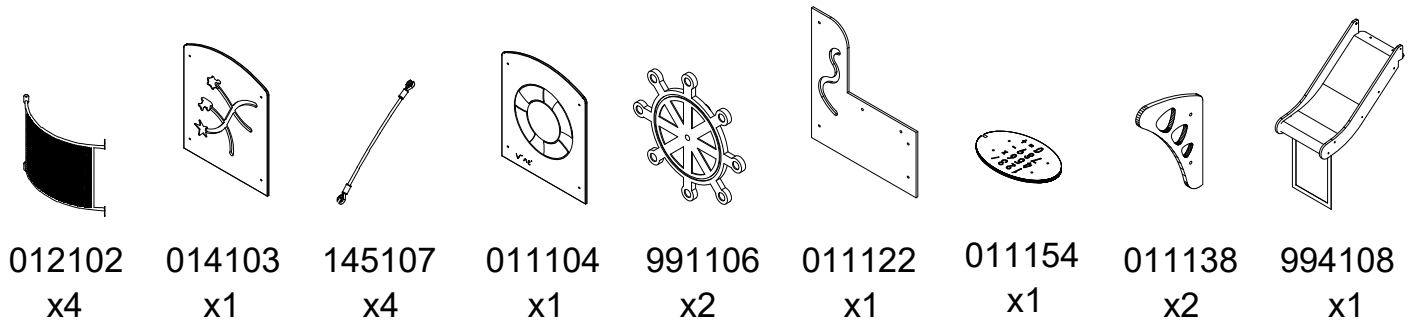
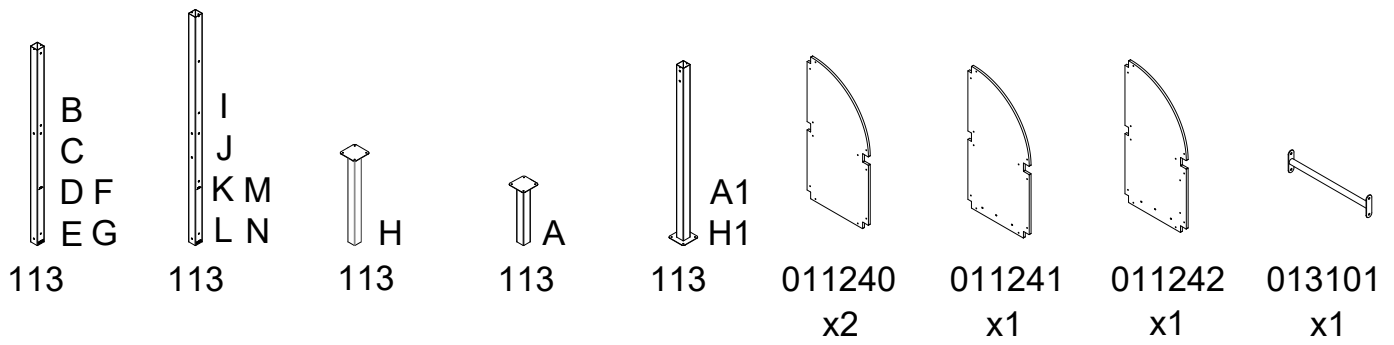


B.



C.





1x PS13 ↻ PH13

7x E1

1x CE6 ↻ CL6

1x PS14 ↻ PH13

1x E14

1x CE7

1x PS12 ↻ PH12

4x E15

1x CE8 ↻ CL8

1x PS19 ↻ PH19

2x E24

2x CE9 ↻ CL9

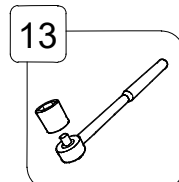
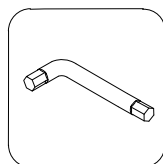
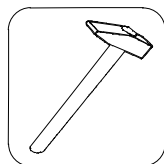
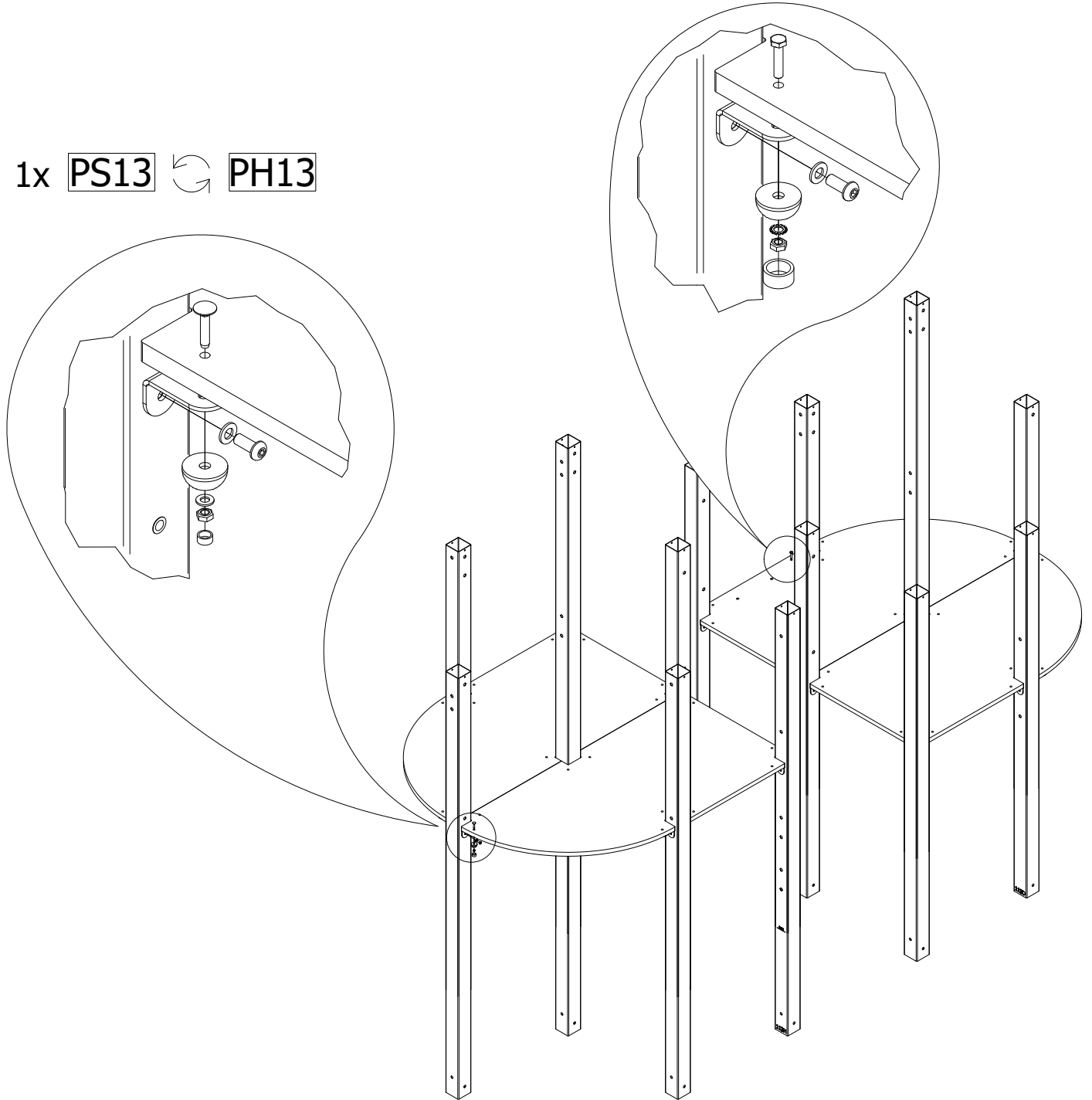
5x CE1

4x E33

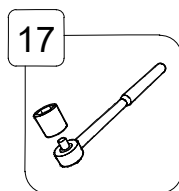
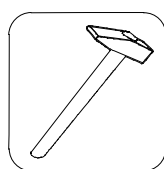
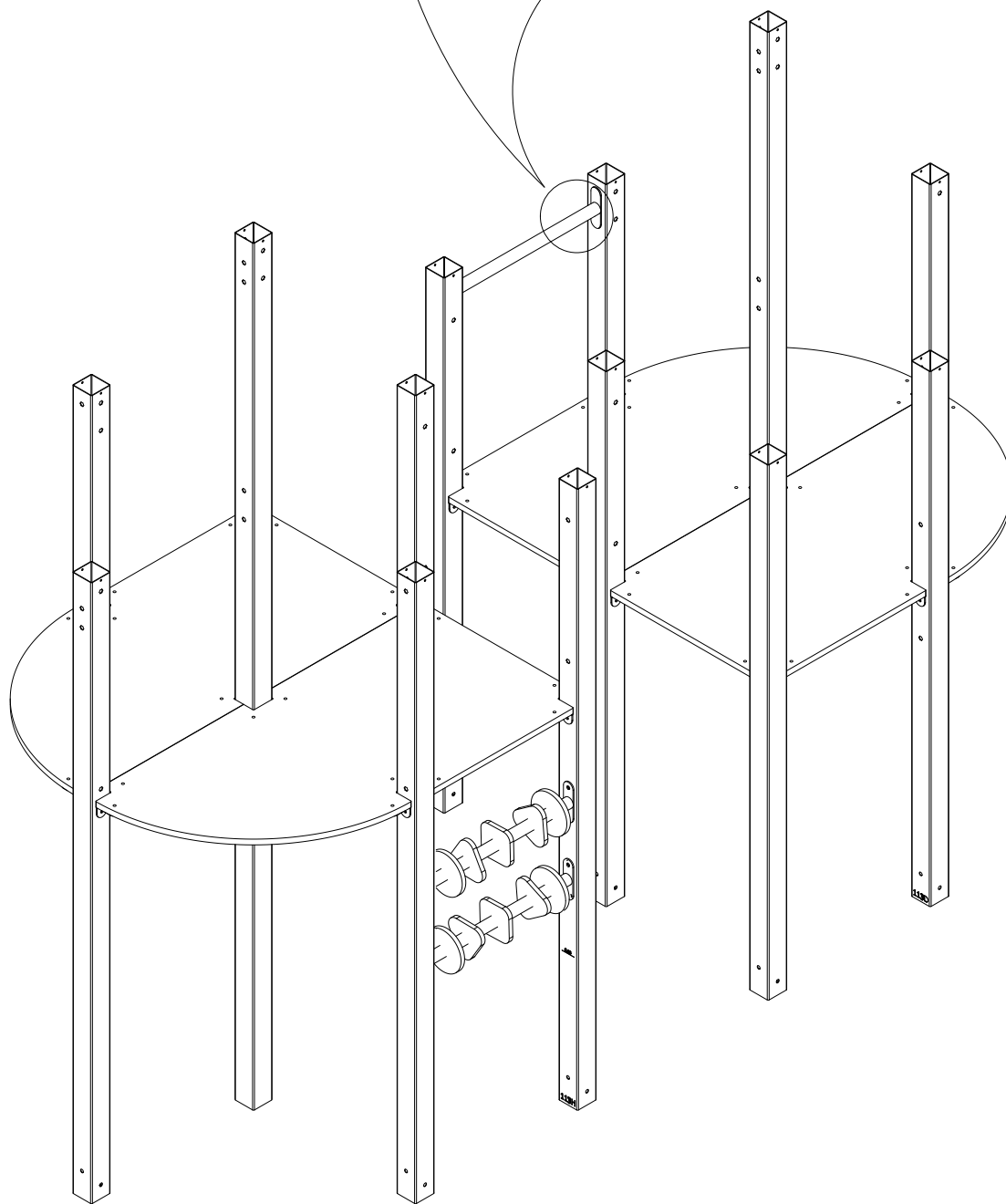
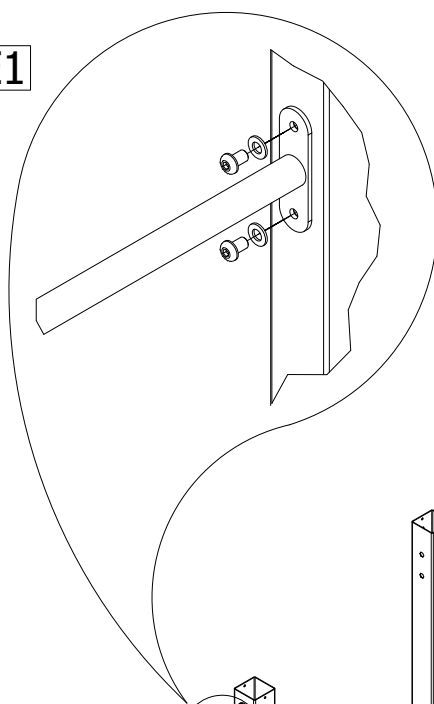
1x CE17 ↻ CL17

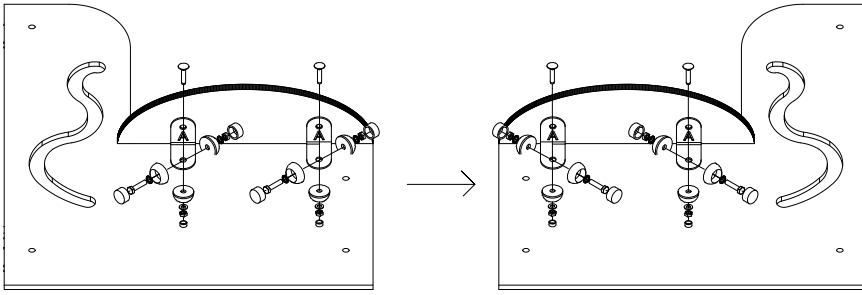
1x PS14 ↻ PH13

1x PS13 ↻ PH13

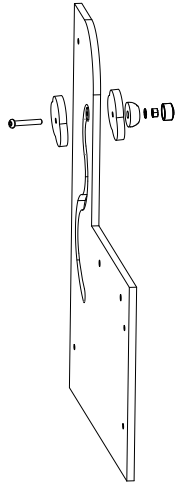


3x **E1**

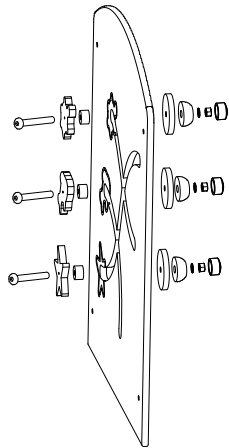




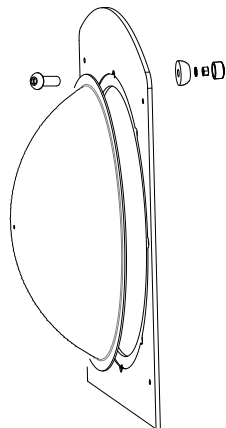
1x **CE6** ⇌ **CL6**



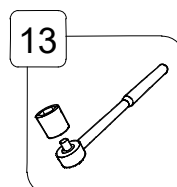
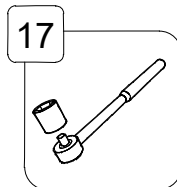
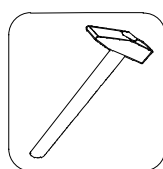
1x **CE17** ⇌ **CL17**



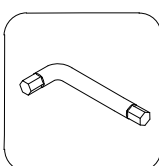
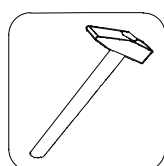
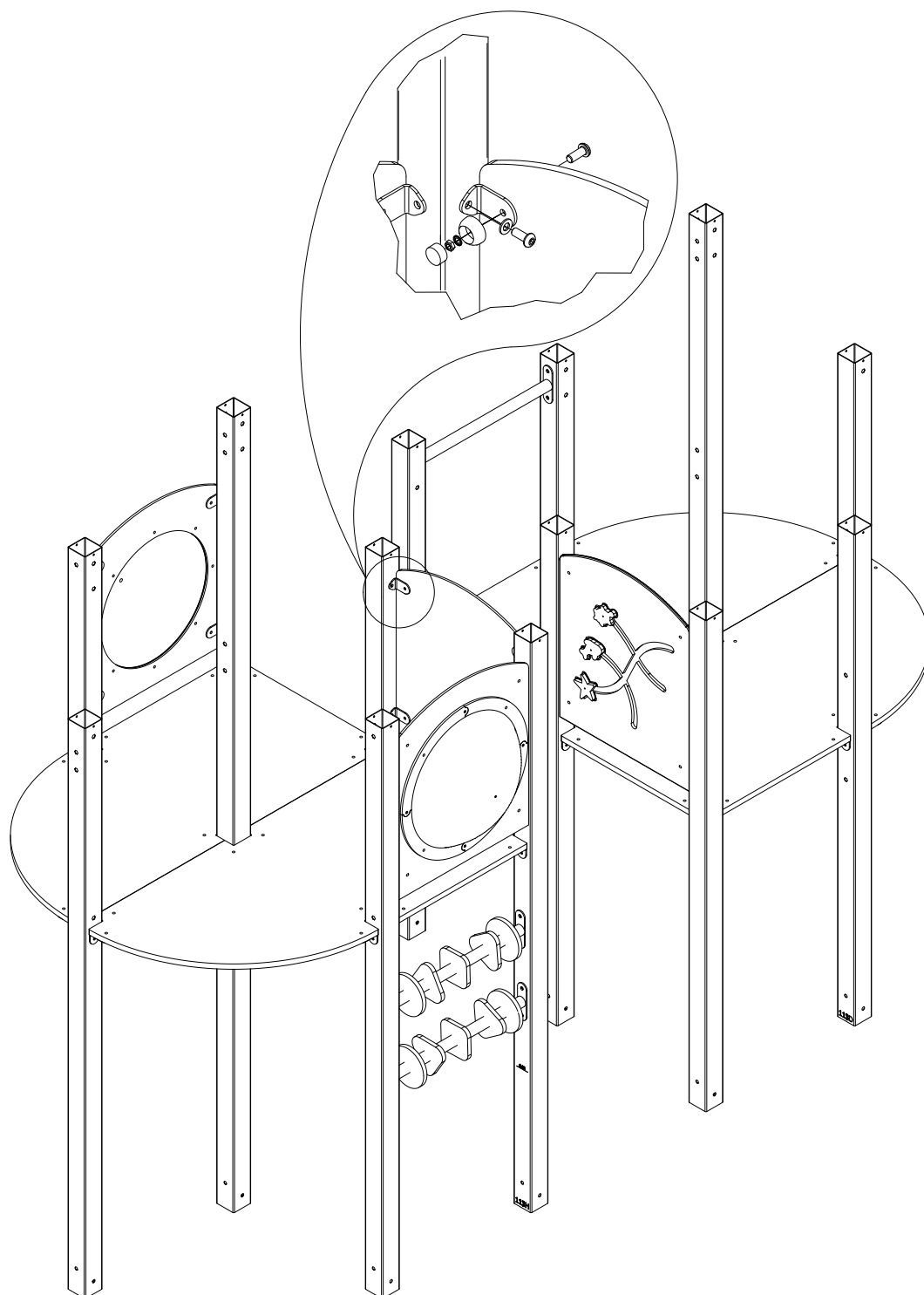
1x **CE8** ⇌ **CL8**



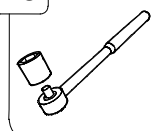
2x **CE9** ⇌ **CL9**

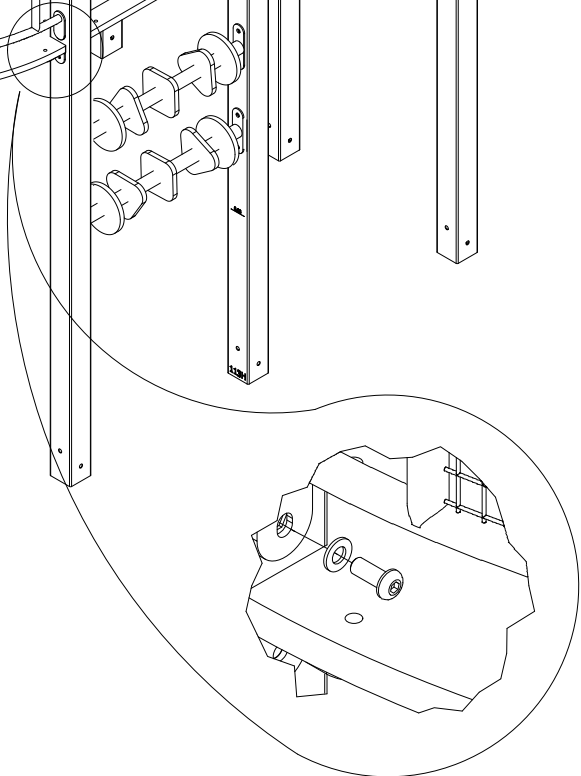
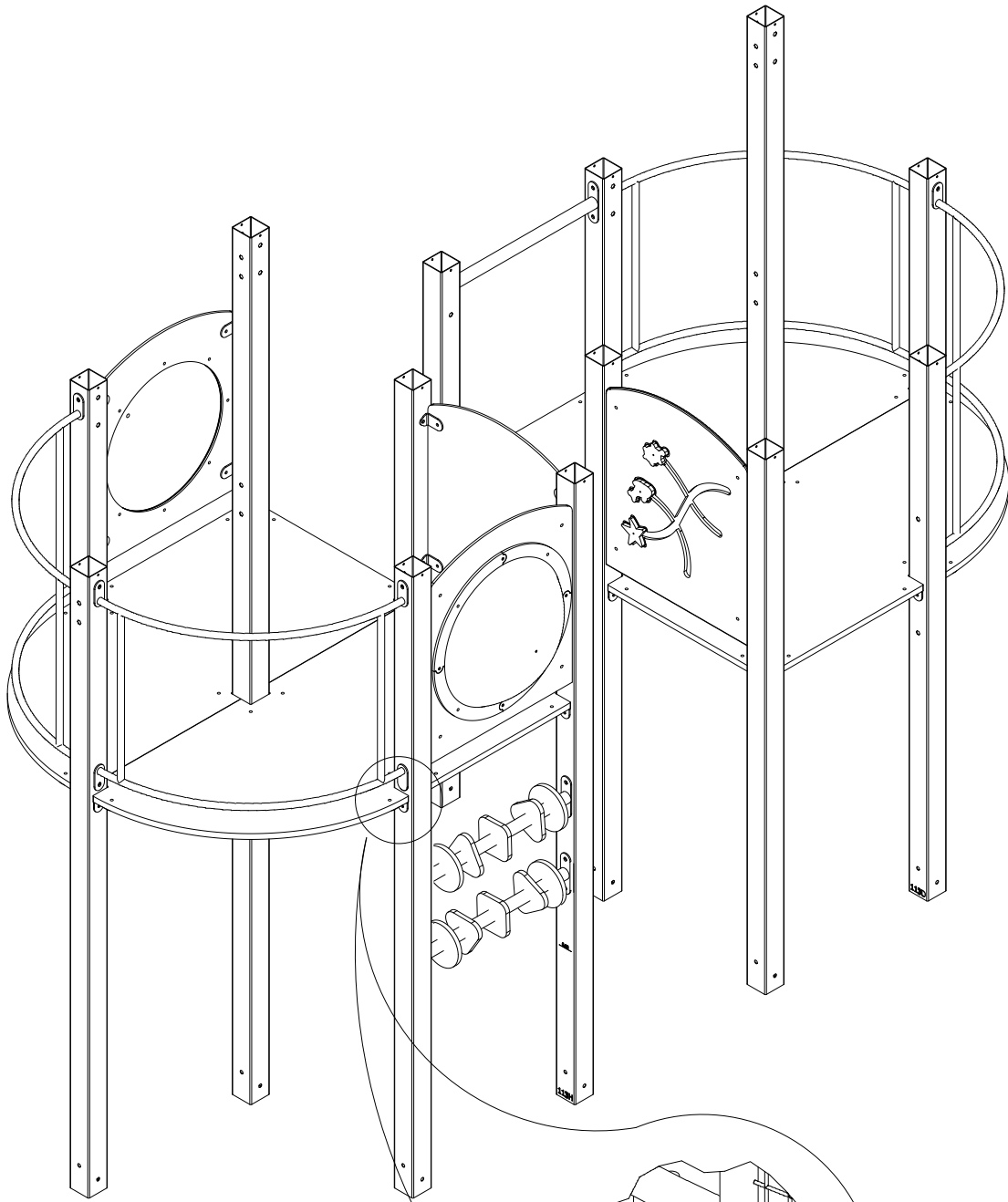


5x CE1

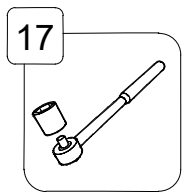
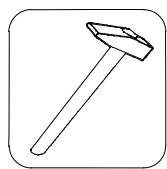


13

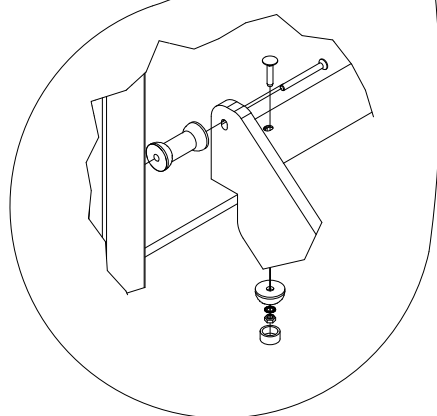
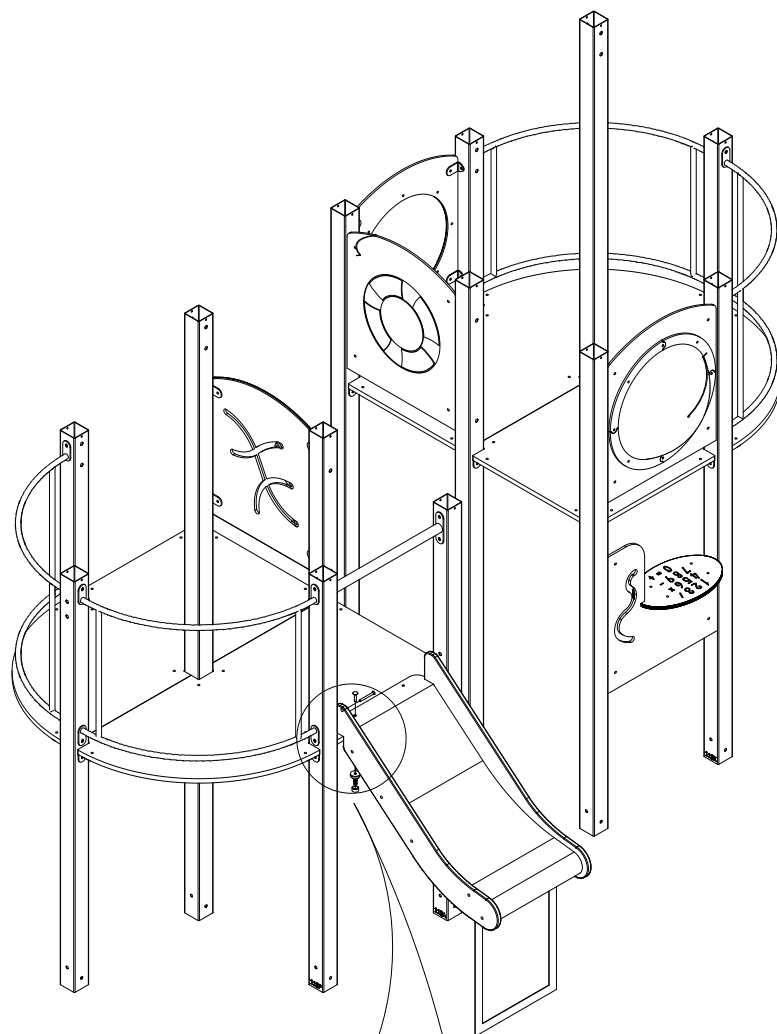




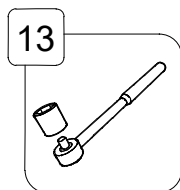
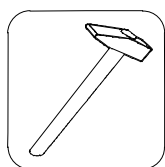
4x E1



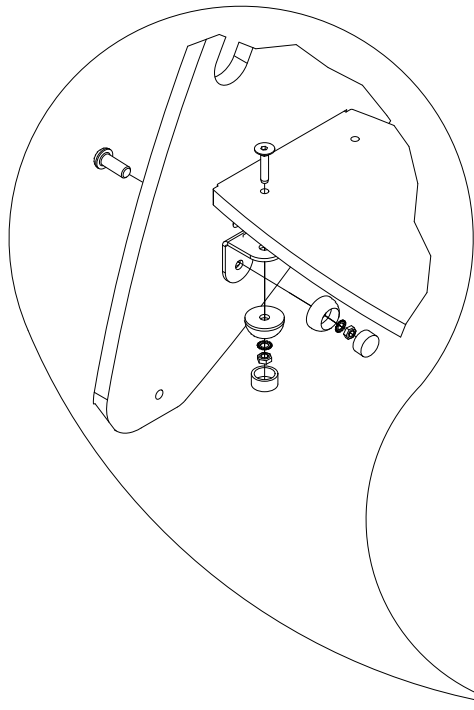
17



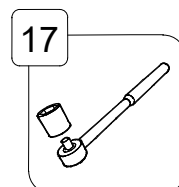
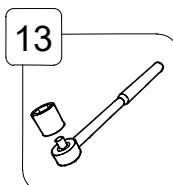
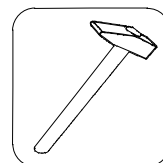
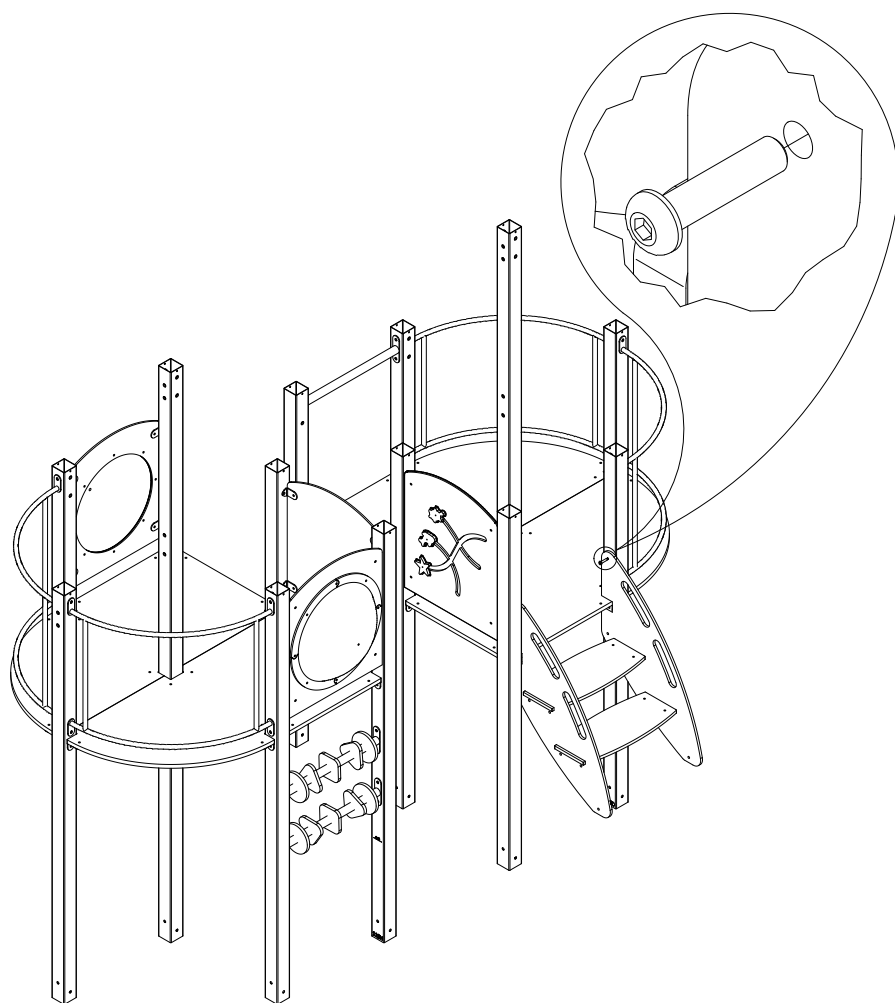
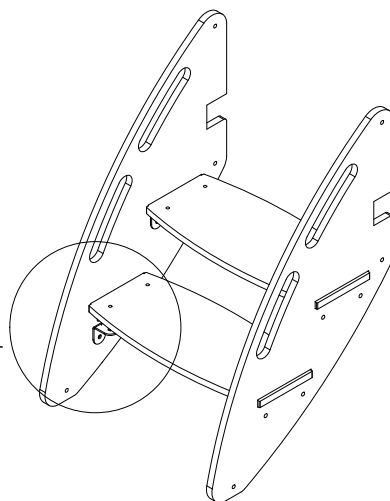
1x **PS19** ↻ **PH19**



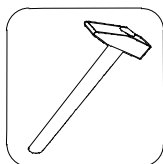
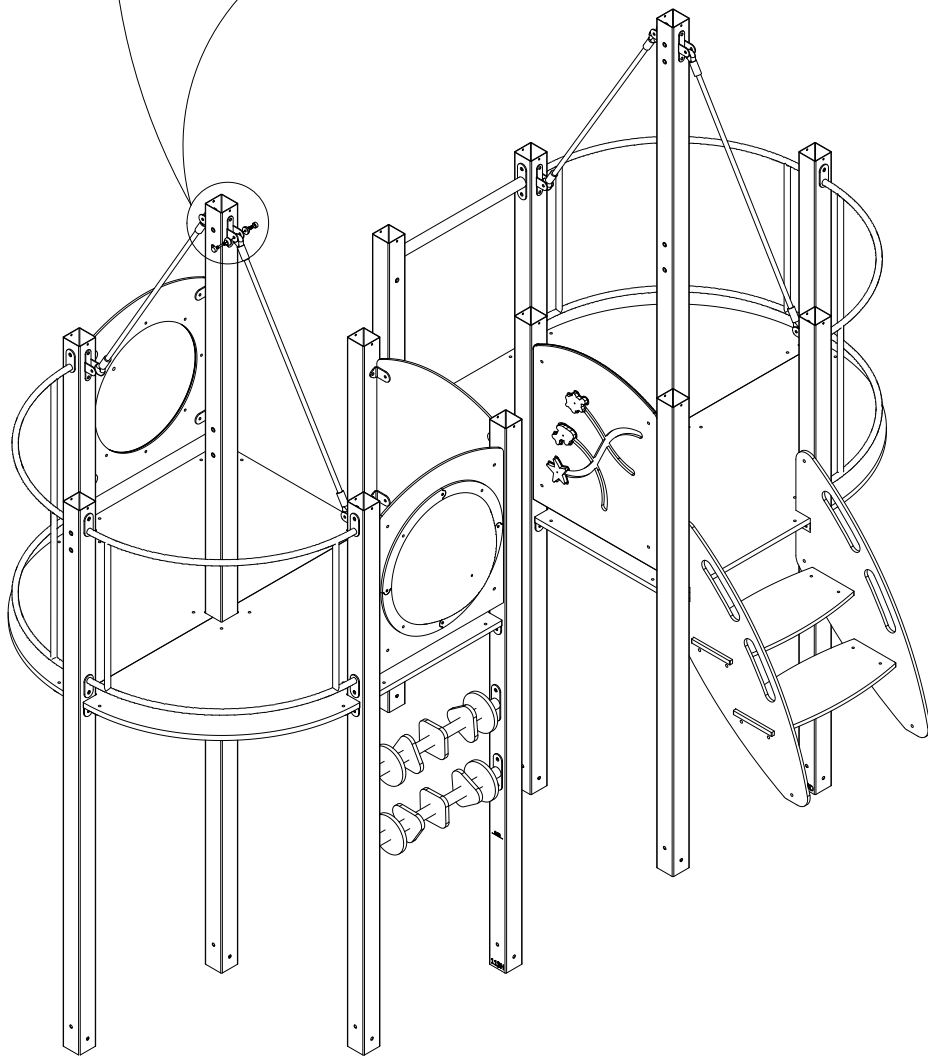
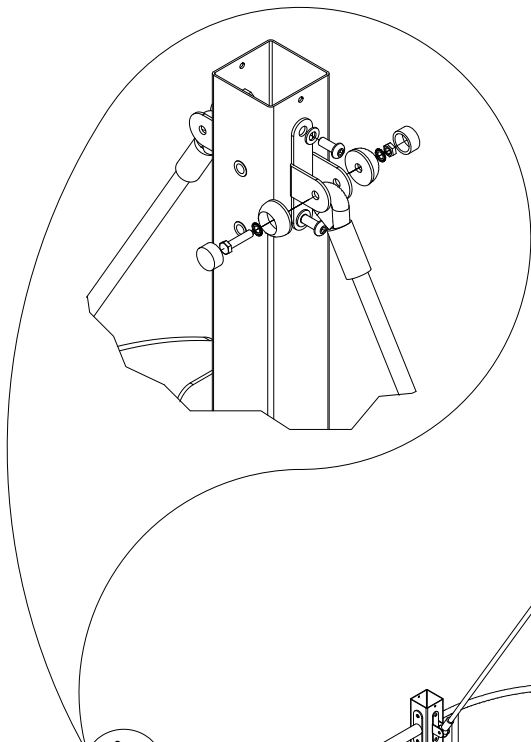
13



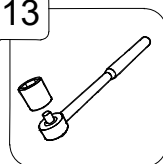
1x **CE7**



4x E33

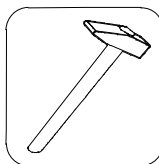
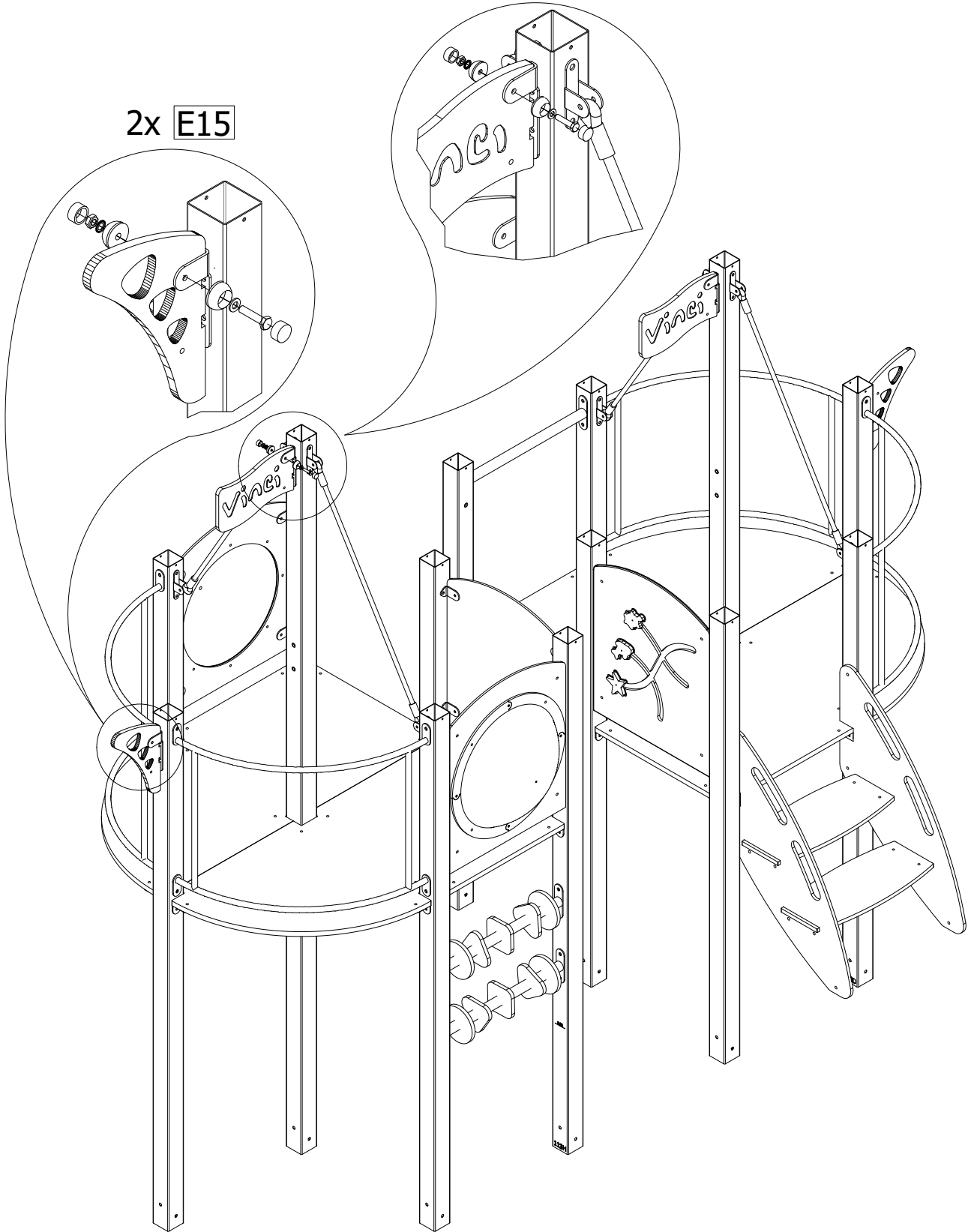


13

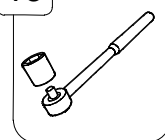


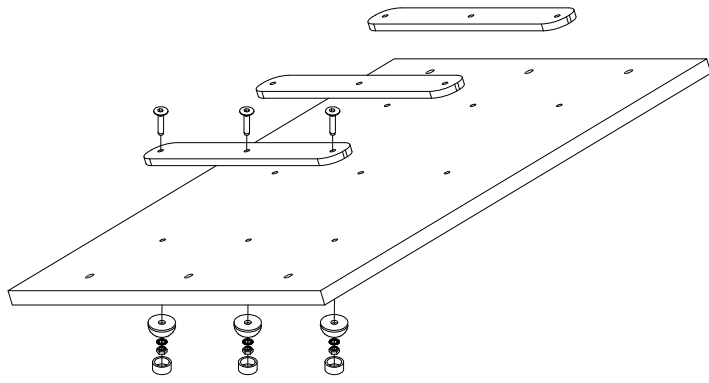
2x E15

2x E15

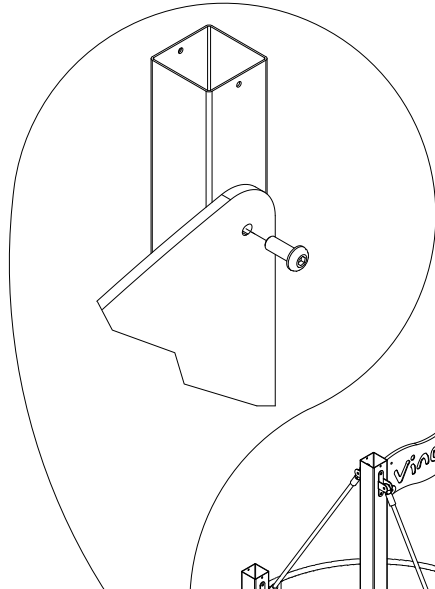


13

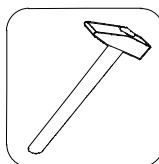
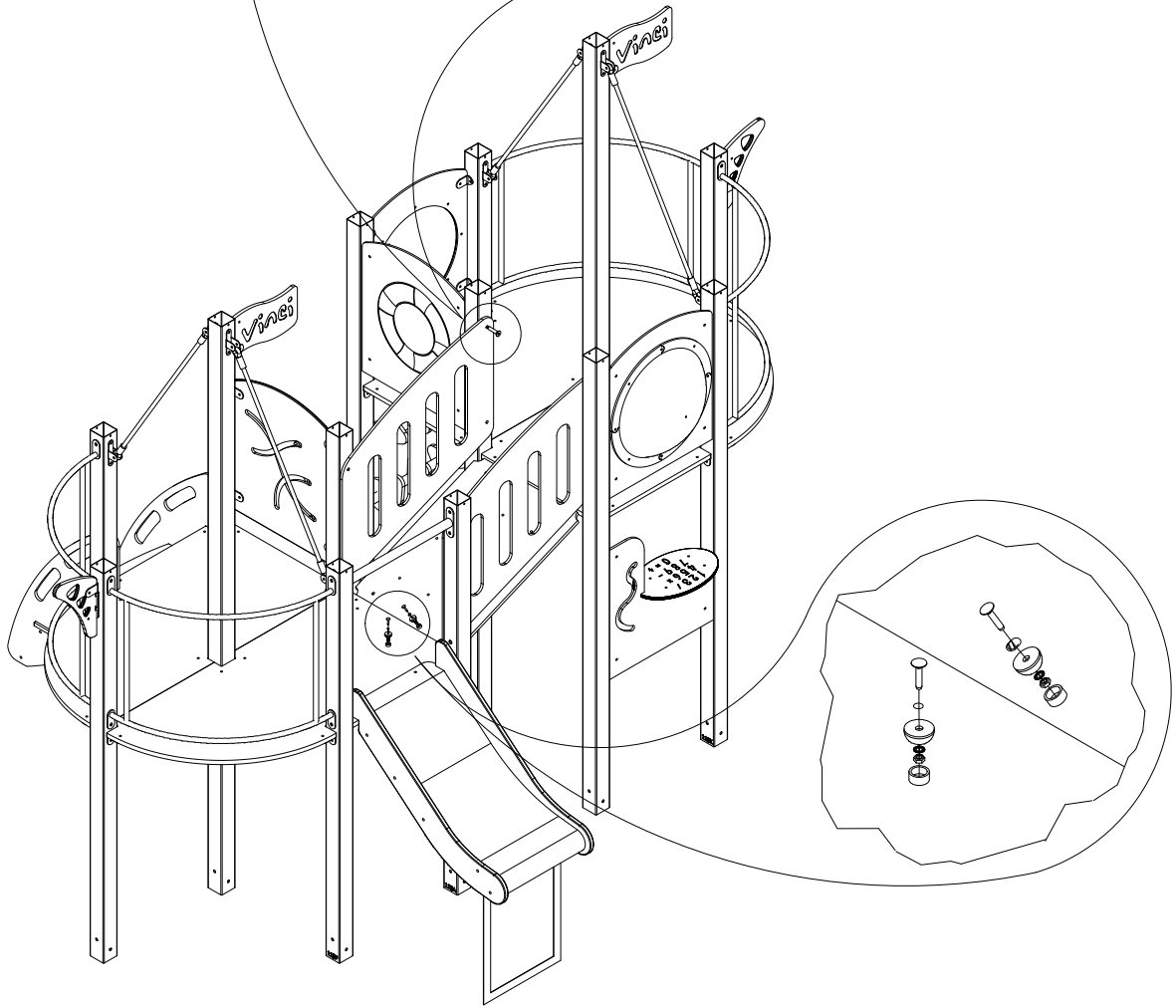




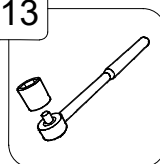
1x **PS12** ↻ **PH12**



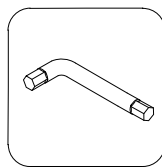
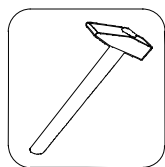
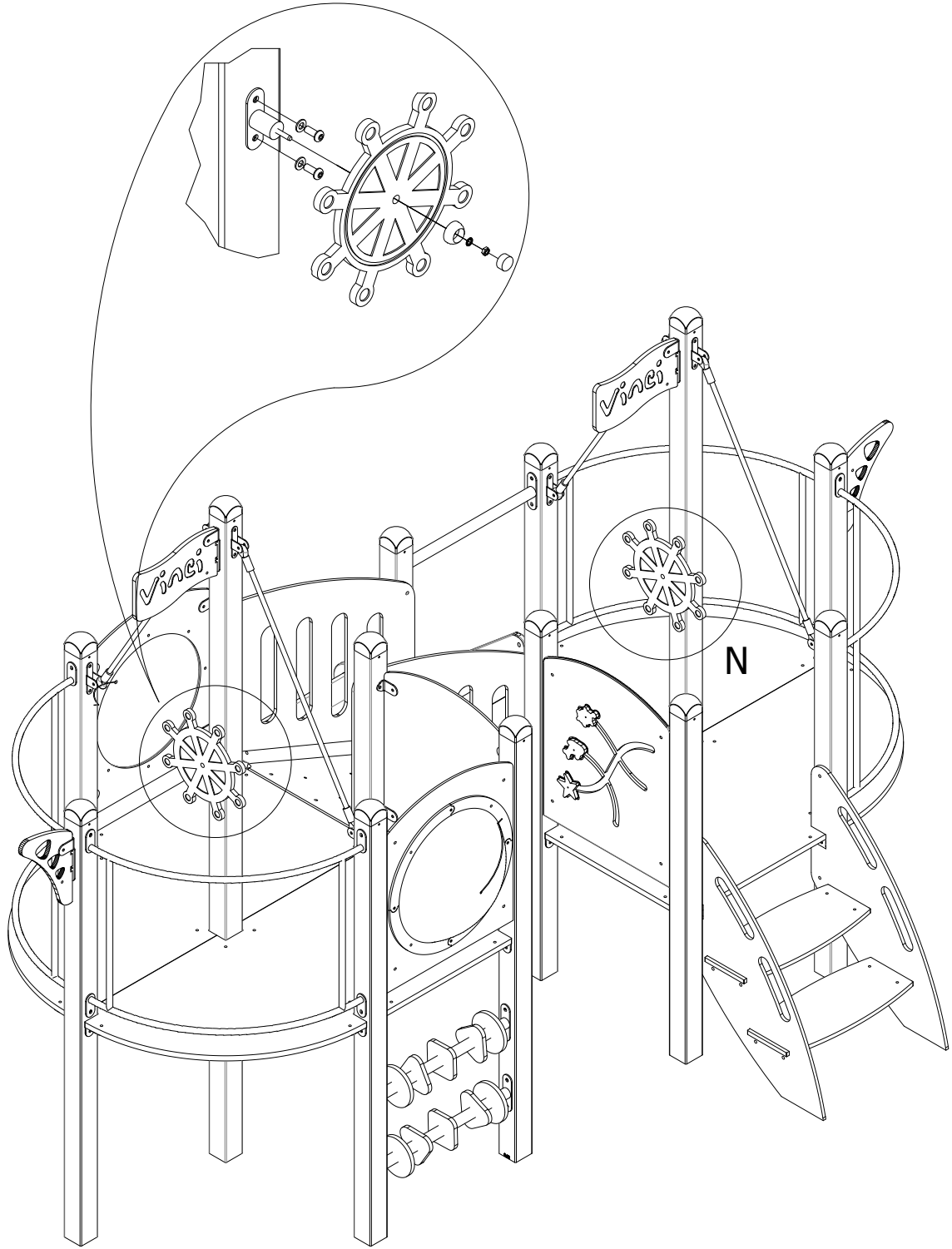
1x **E14**

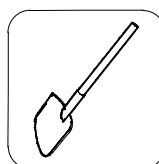
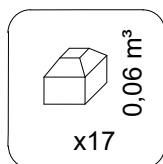
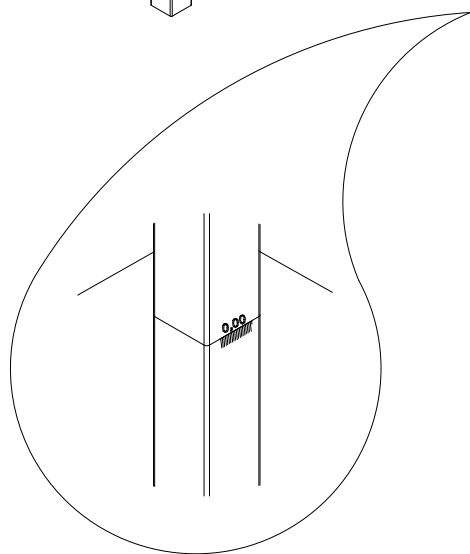
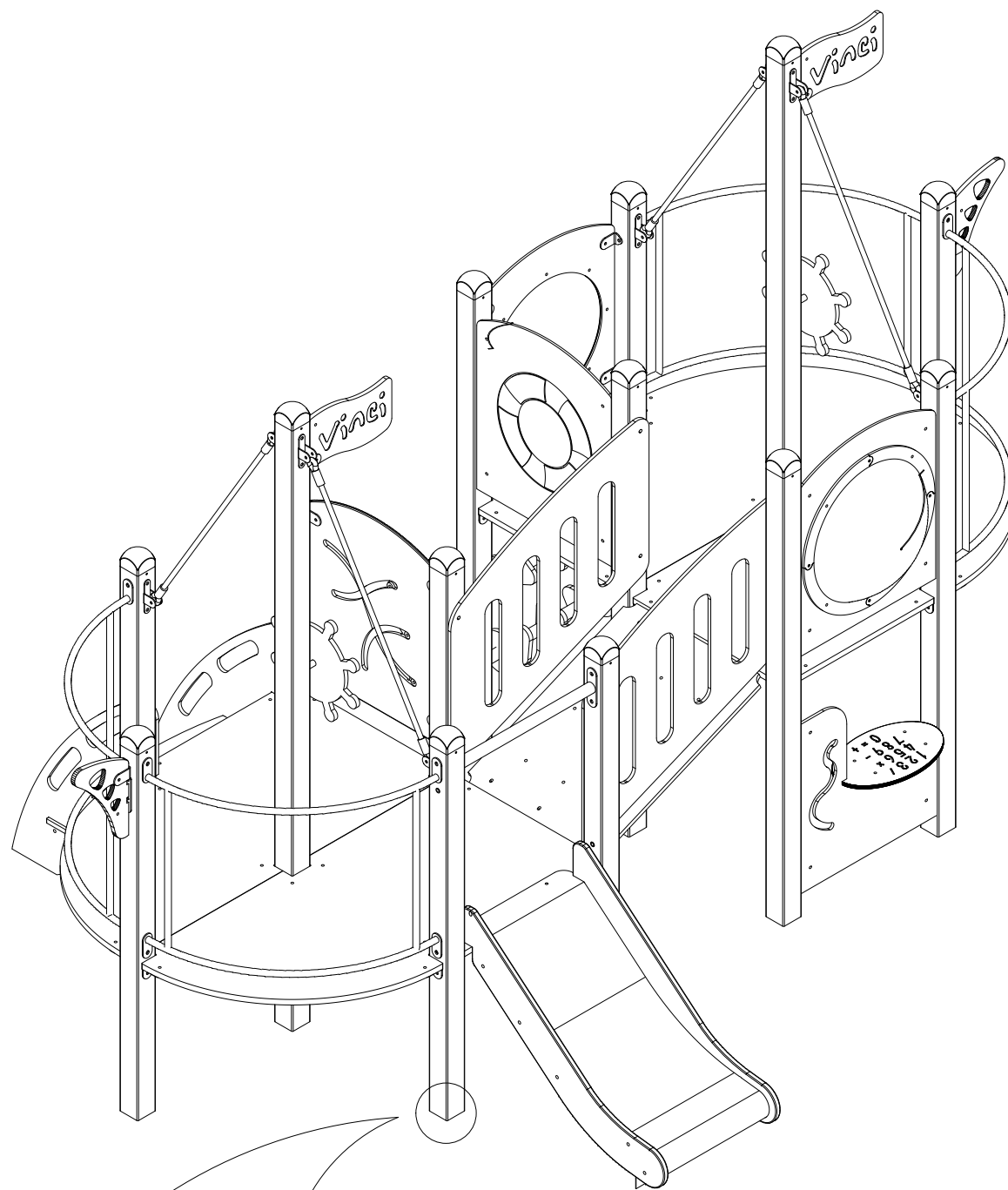


13



2x E24



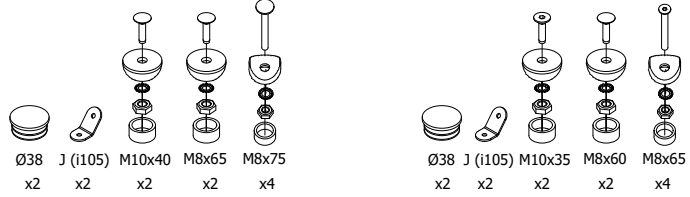


play
Vinci

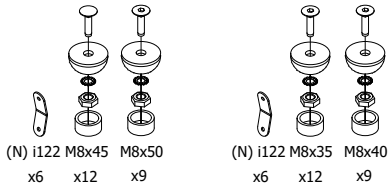
PS1 ↔ **PH1**



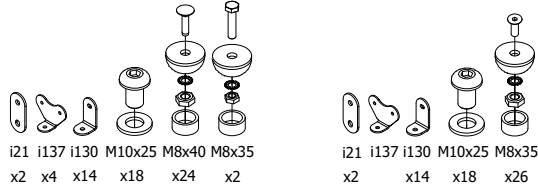
PS21 ↔ **PH21**



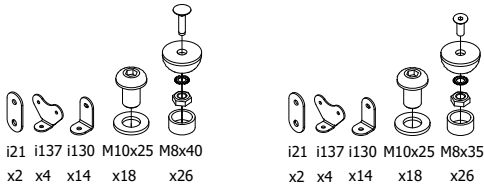
PS12 ↔ **PH12**



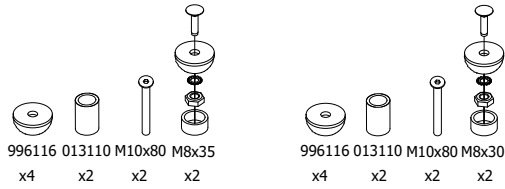
PS13 ↔ **PH13**



PS14 ↔ **PH13**



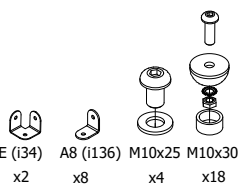
PS19 ↔ **PH19**



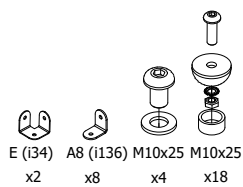
CE1



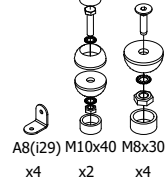
CE2



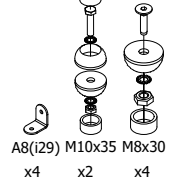
CL2



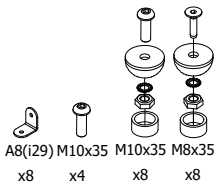
CE6



CL6



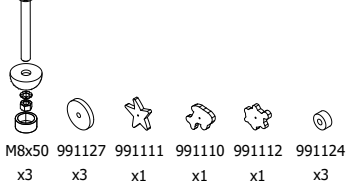
CE7



CE8



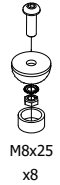
CL8



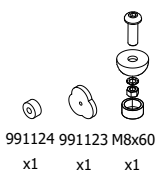
CE9



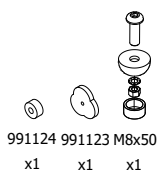
CL9



CE17



CL17

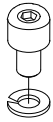


E1



M10x25
x4

E3



M8x25
x12

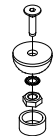
E4



M8x95
x2



E5



M8x95
x2

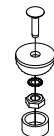
E8



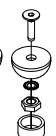
M8x30
x2



E9



M8x25
x2



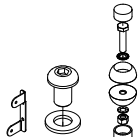
M8x55
x2

E14



M10x40
x8

E15



i93
x1



M10x25
x2



M8x40
x2

E24



M10x25
x2



M10
x1

E33



i82
x2



M10x25
x4



M8x45
x2