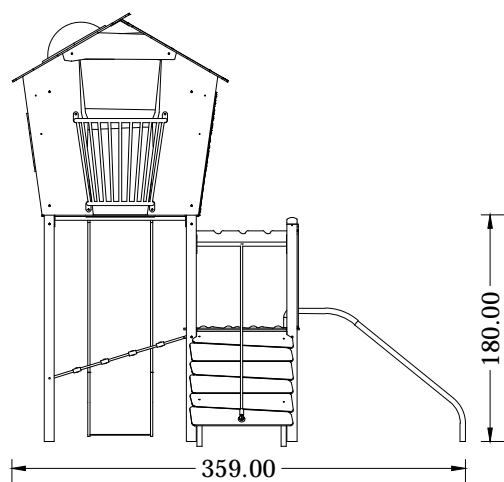
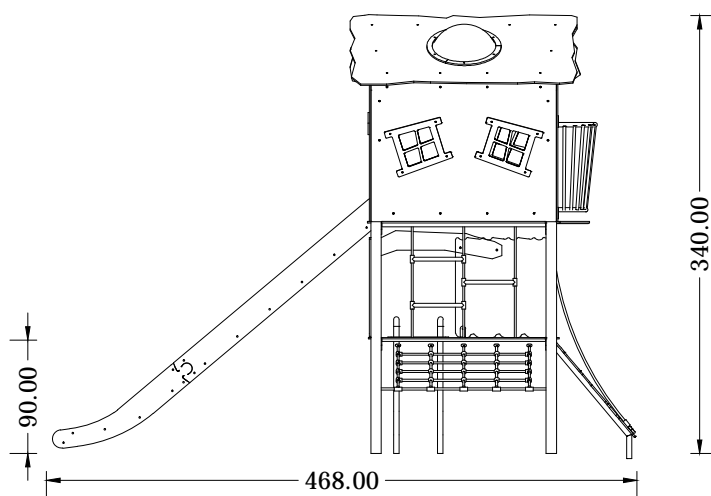
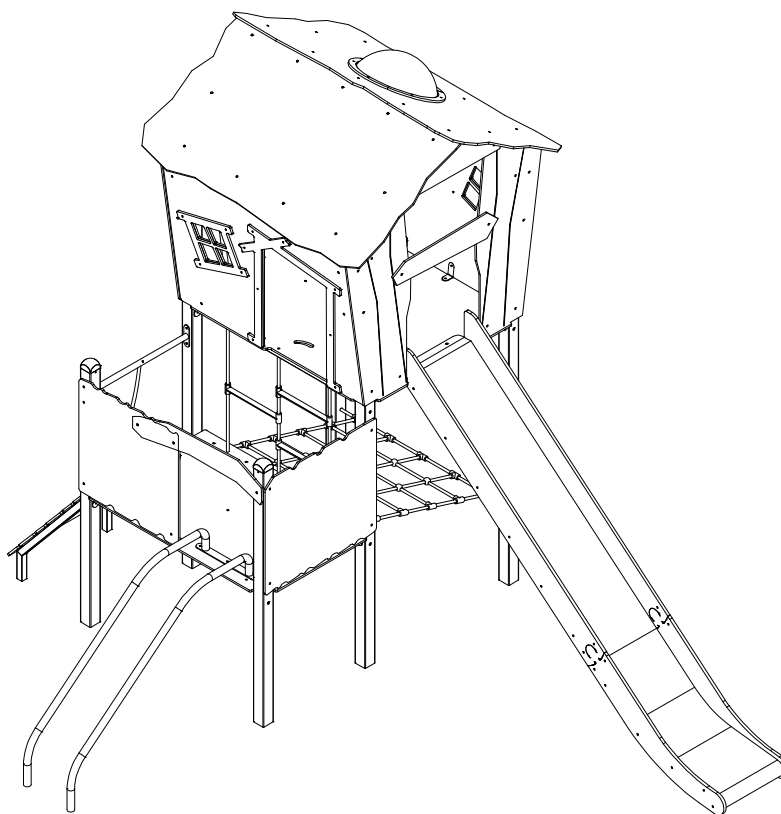
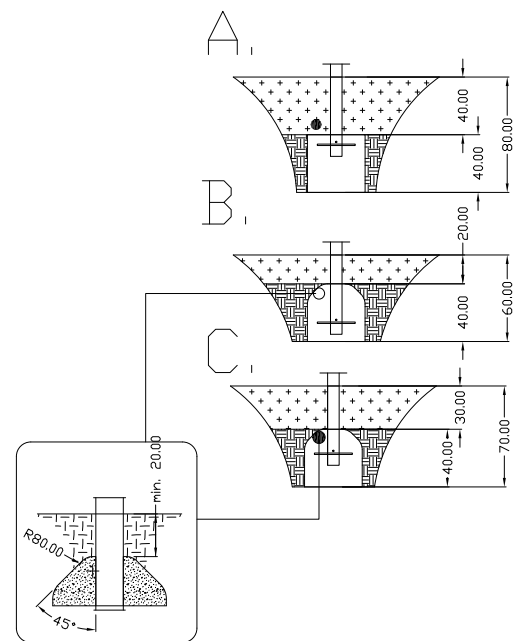
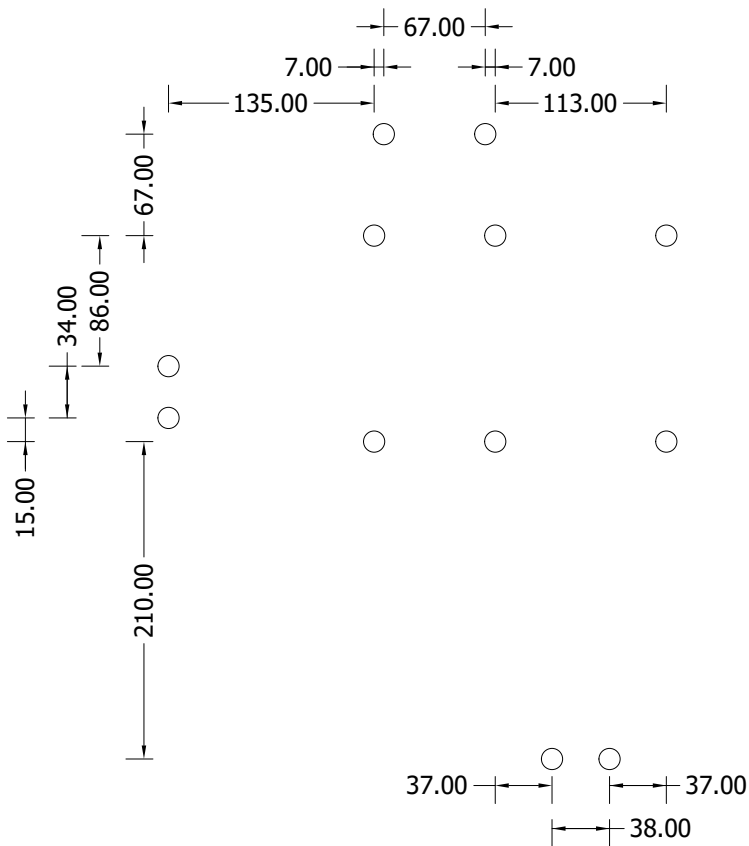
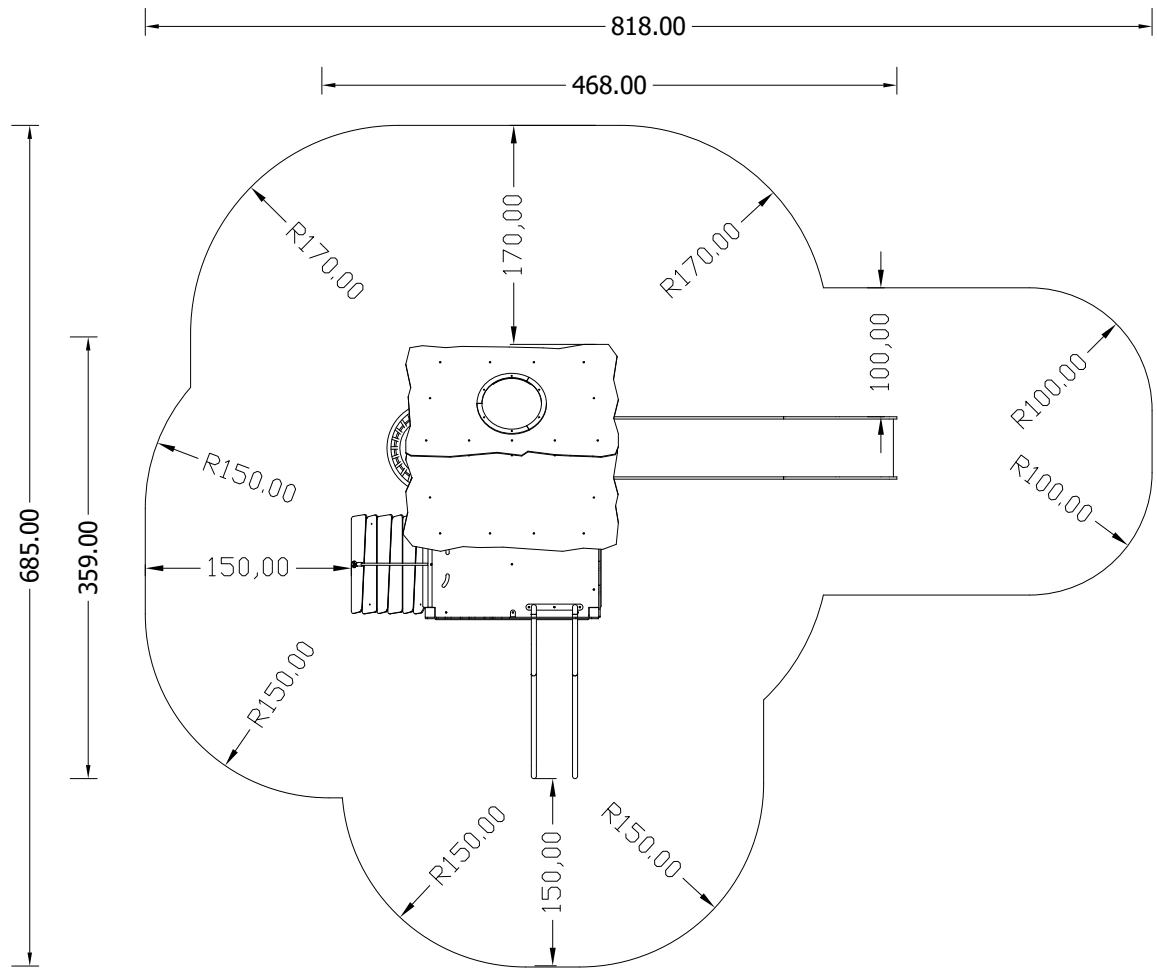
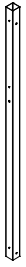


# 0300s1







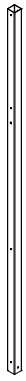
0306001 x1



0306002 x1



0306003 x1



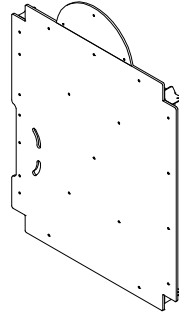
0306004 x1



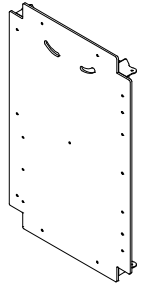
0306005 x1



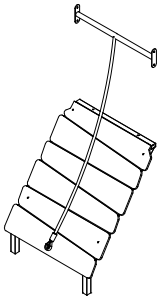
0306006 x1



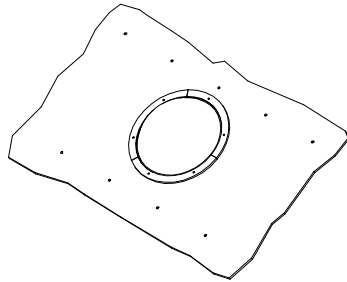
0301001 x1



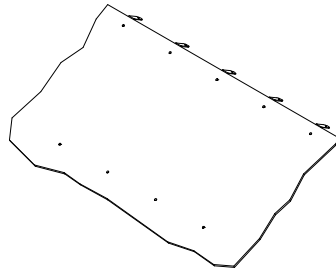
0301002 x1



0305001 x1



0308001 x1



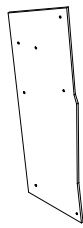
0308002 x1



0302001 x1



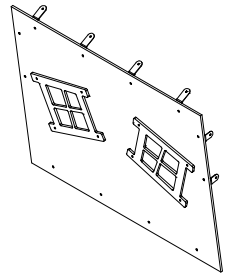
0302002 x1



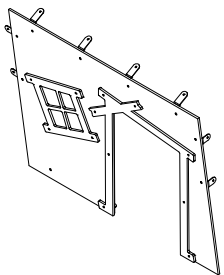
0302003 x1



0302004 x1



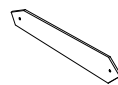
030205 x1



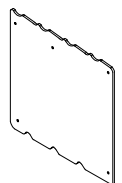
0302006 x1



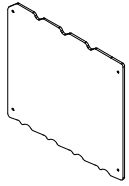
0309001 x2



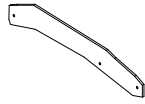
0309002 x1



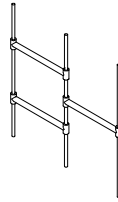
0302007 x1



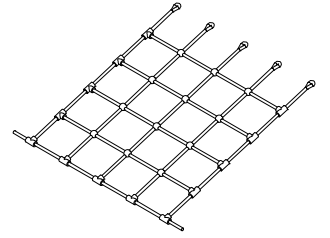
0302008 ×1



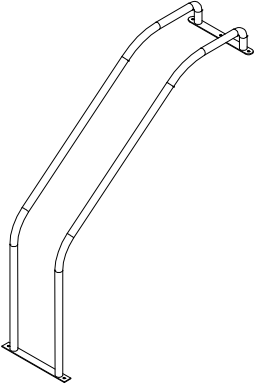
0309003 ×1



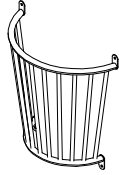
0303001 ×1



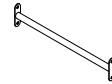
0303002 ×1



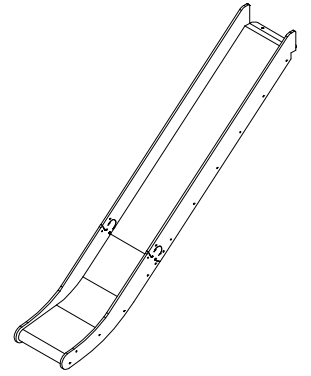
0305002 ×1



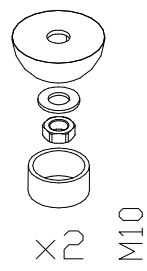
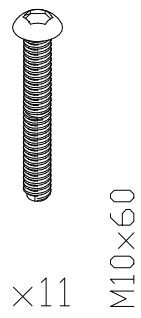
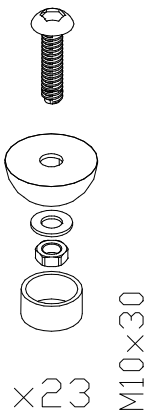
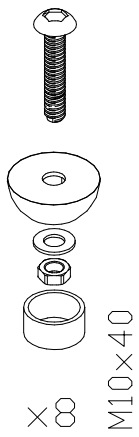
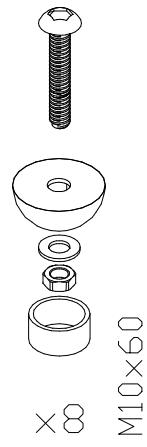
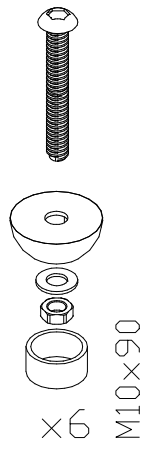
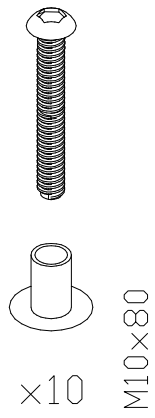
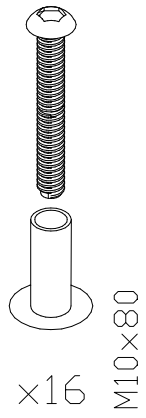
0307001 ×1



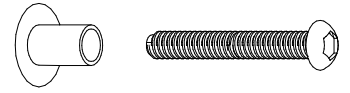
0307001 ×1



0304001 ×1

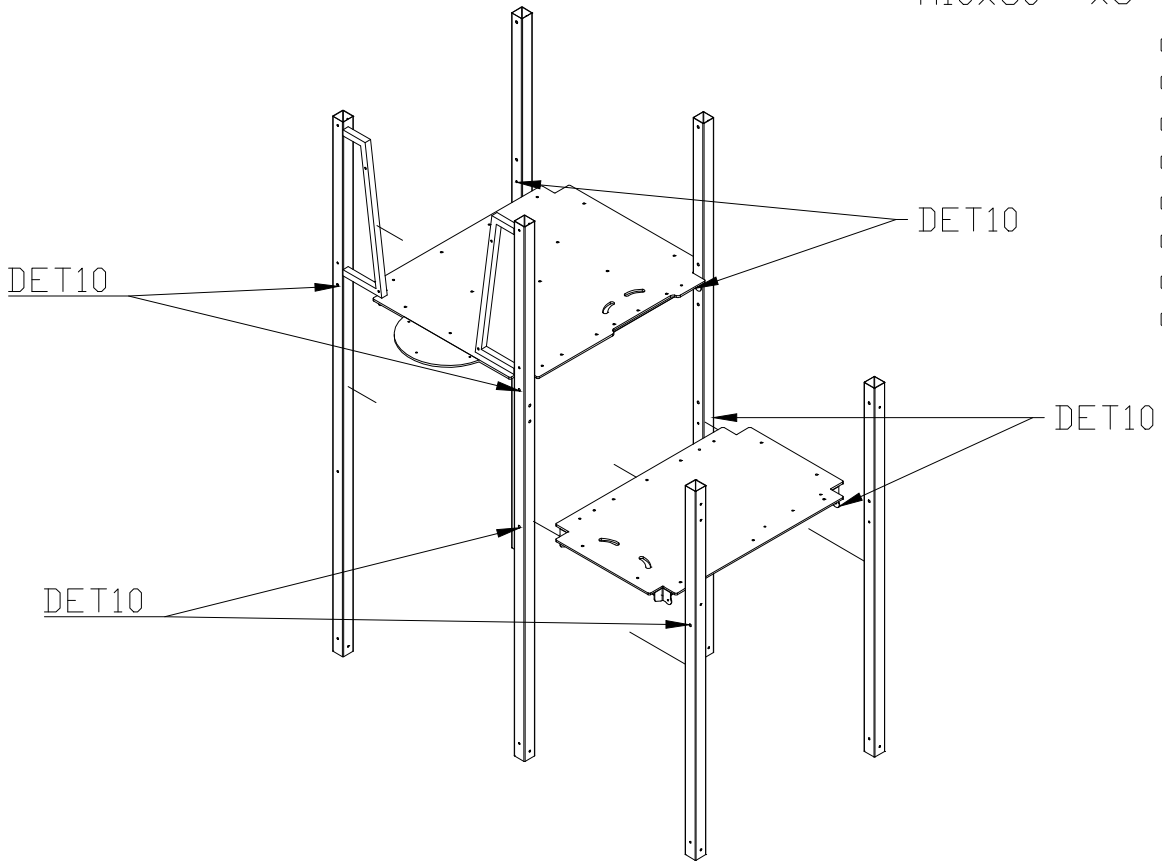


1.

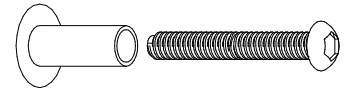


M10x80 x8

- 0306001
- 0306002
- 0306003
- 0306004
- 0306005
- 0306006
- 0301001
- 0301002

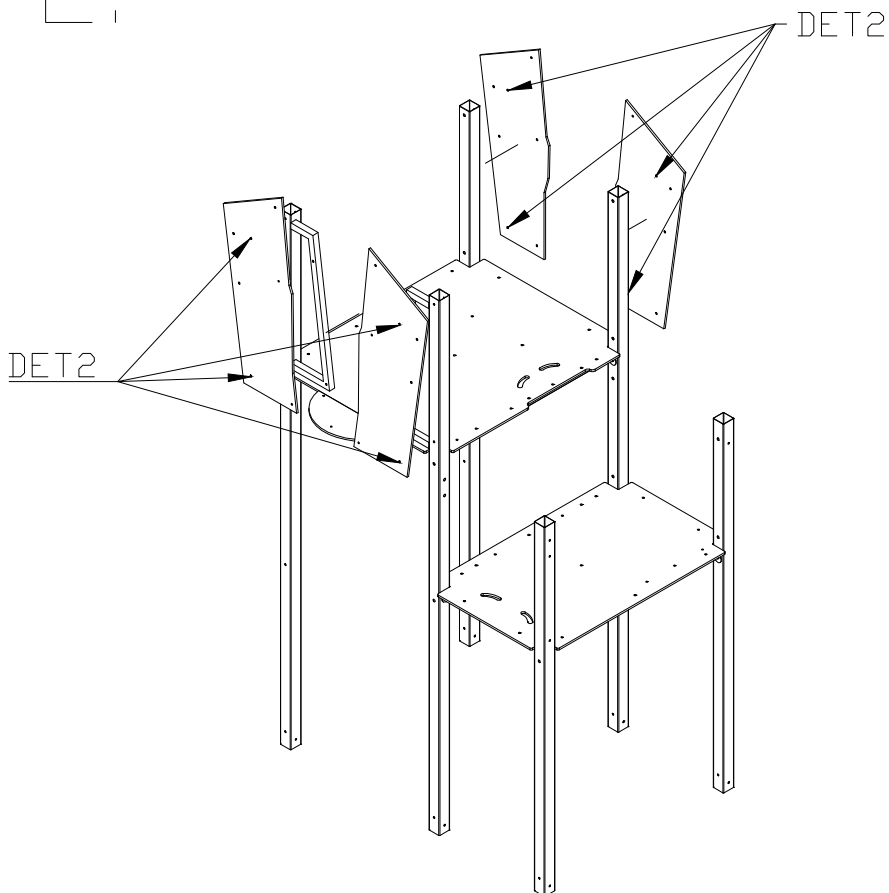


2.

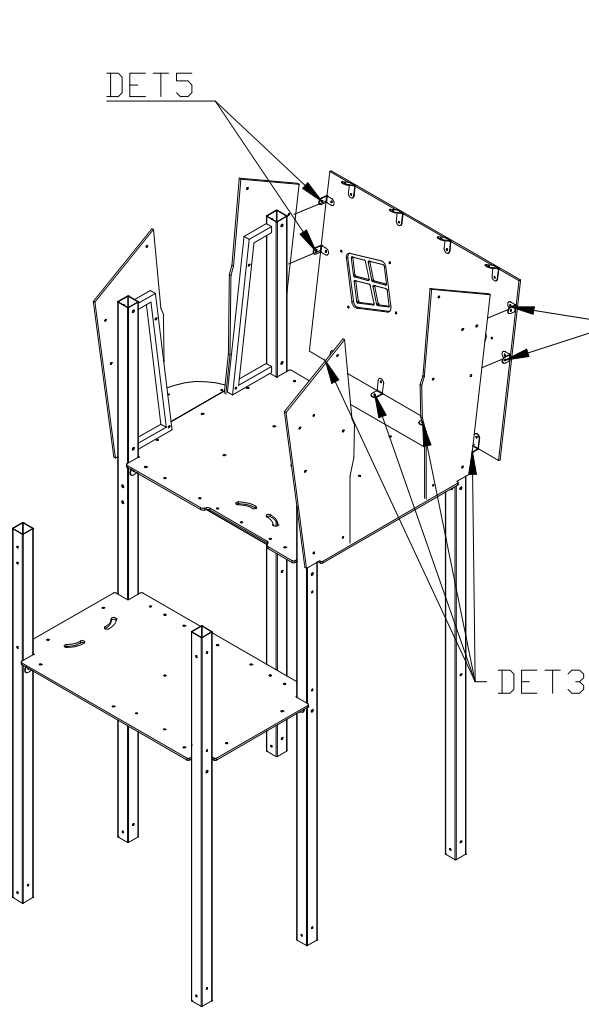


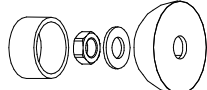
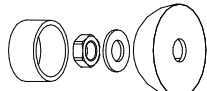
M10x80 x8

- 0302001
- 0302004
- 0302003
- 0302002

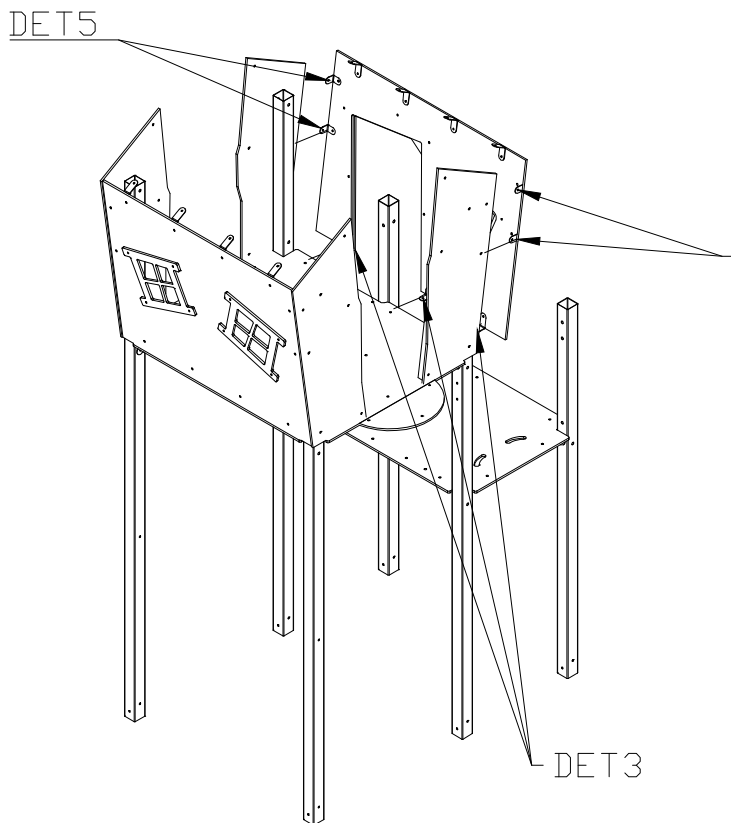


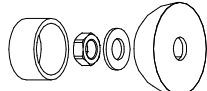
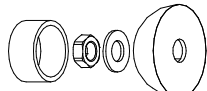
3.



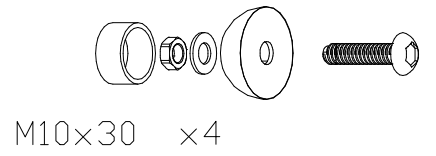
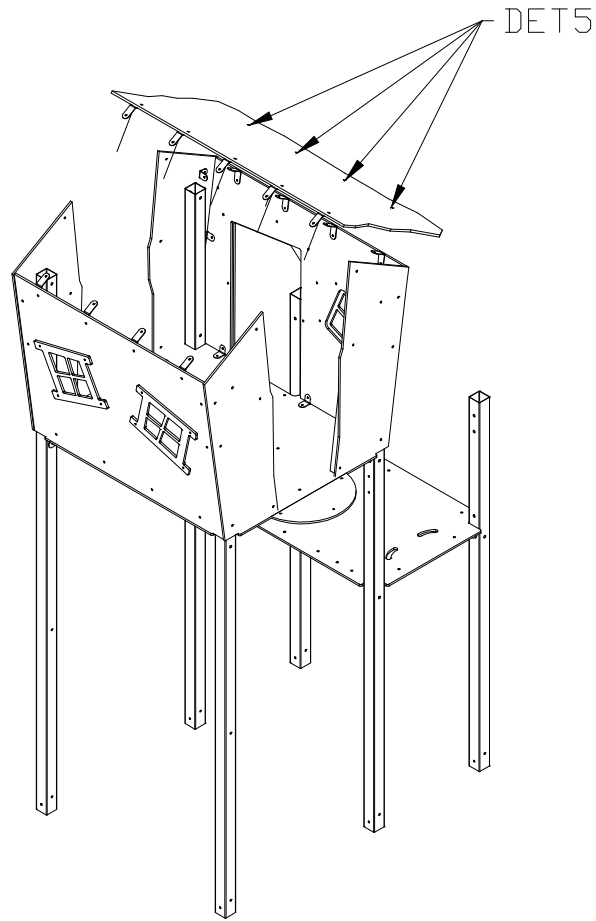
-   $M10 \times 60 \times 4$
-   $M10 \times 30 \times 4$
- DET5
- 030205

4.



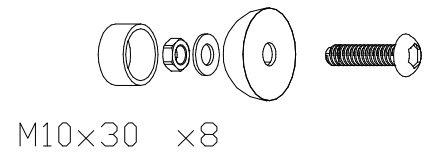
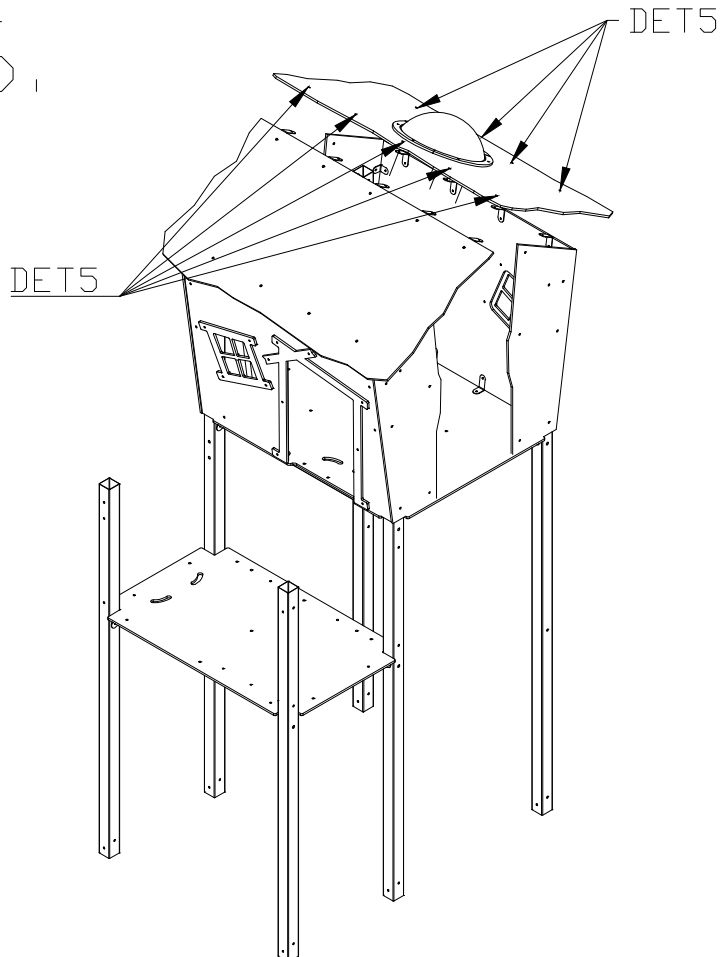
-   $M10 \times 60 \times 2$
-   $M10 \times 30 \times 4$
- DET5
- 0302006

5.



0308002

6.

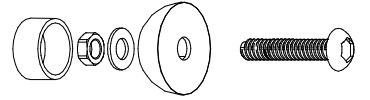


0308001



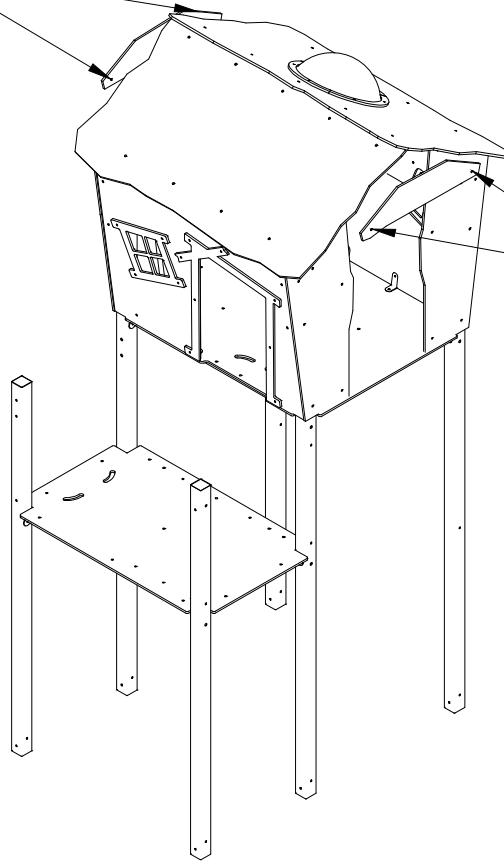
7

DET14



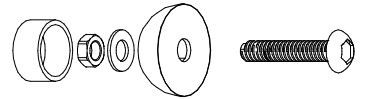
M10x40 x4

0309001



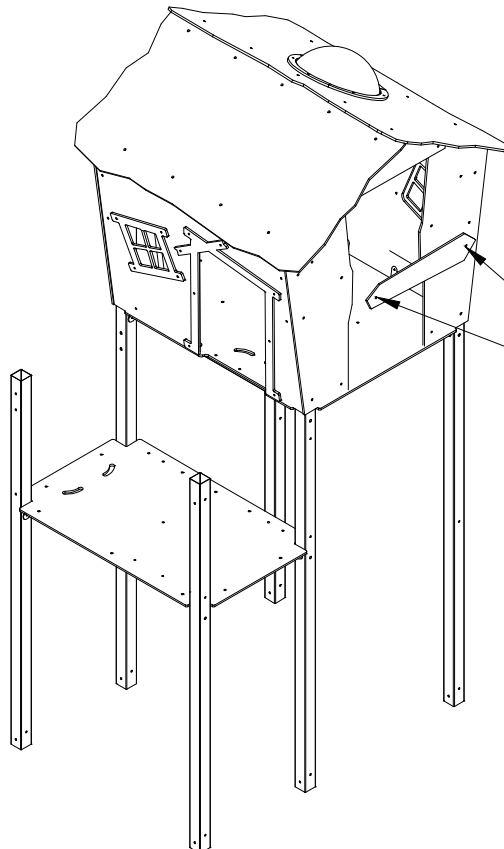
DET14

8



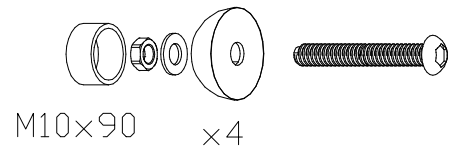
M10x40 x2

0309002

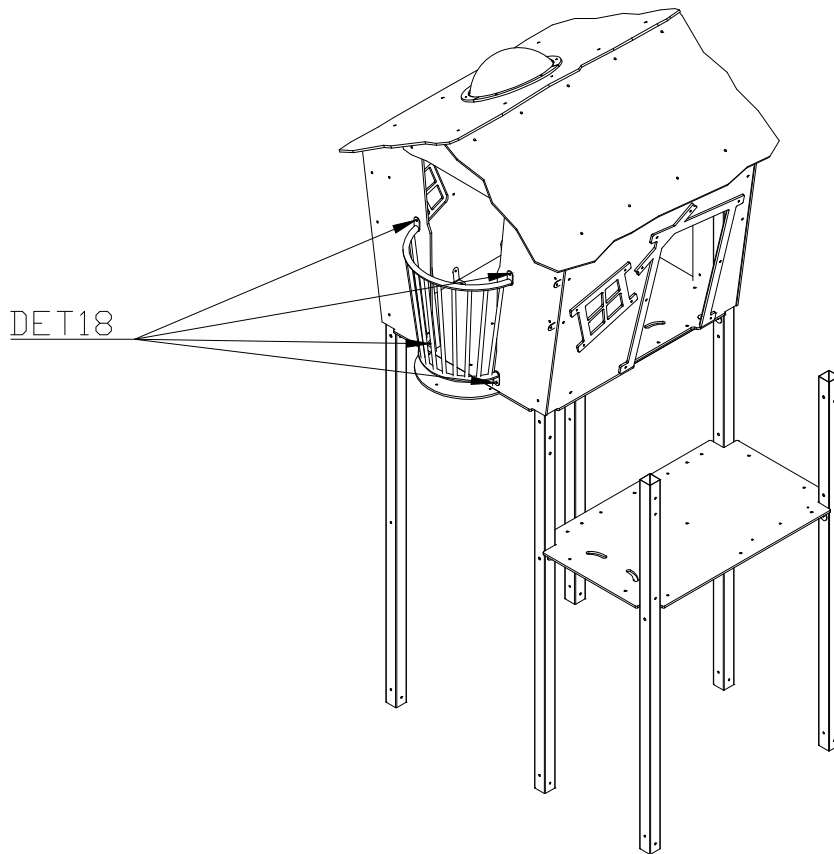


DET4

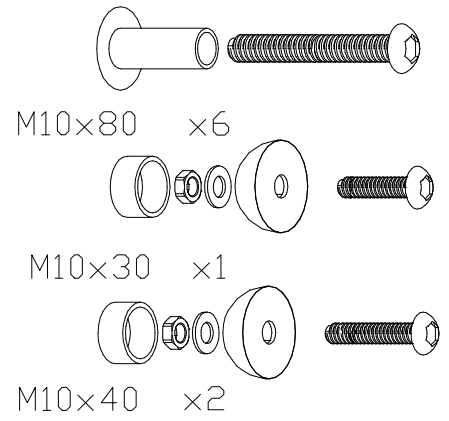
9.



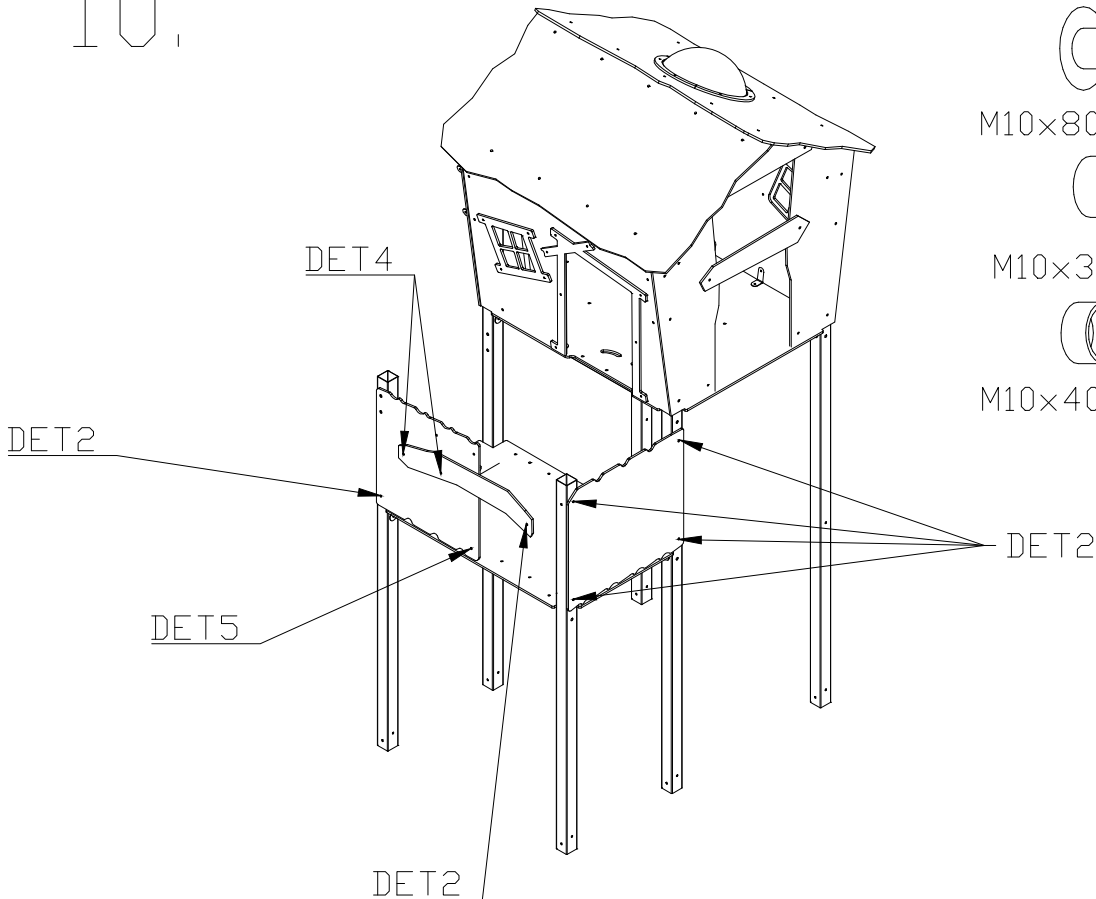
0307001



10.



0302007  
0309003  
0302008

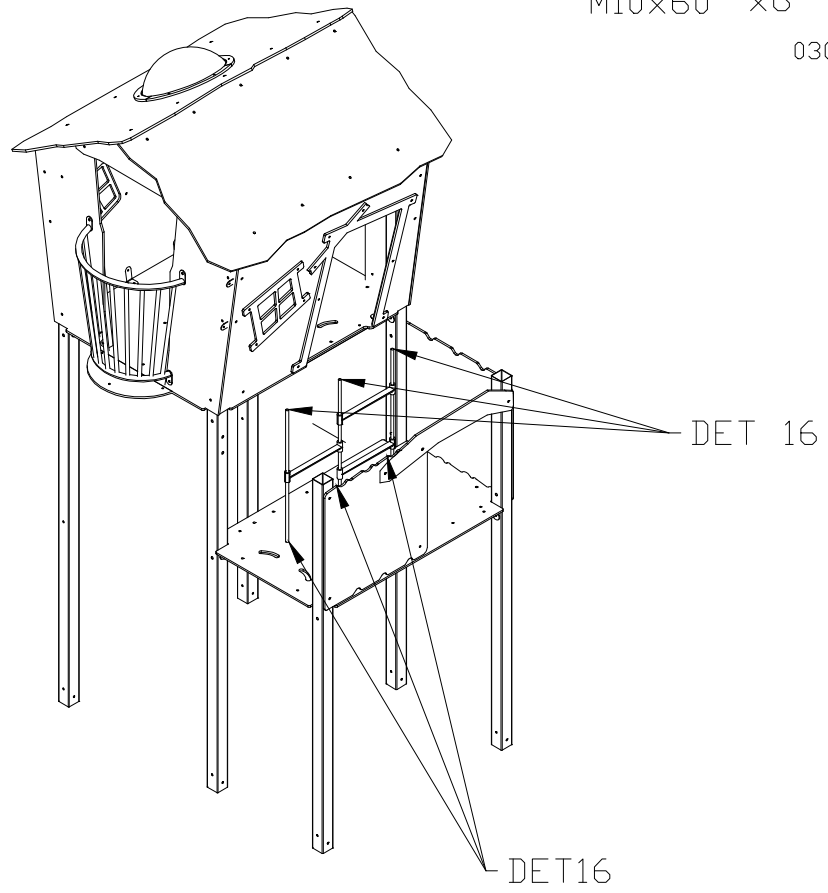


11.

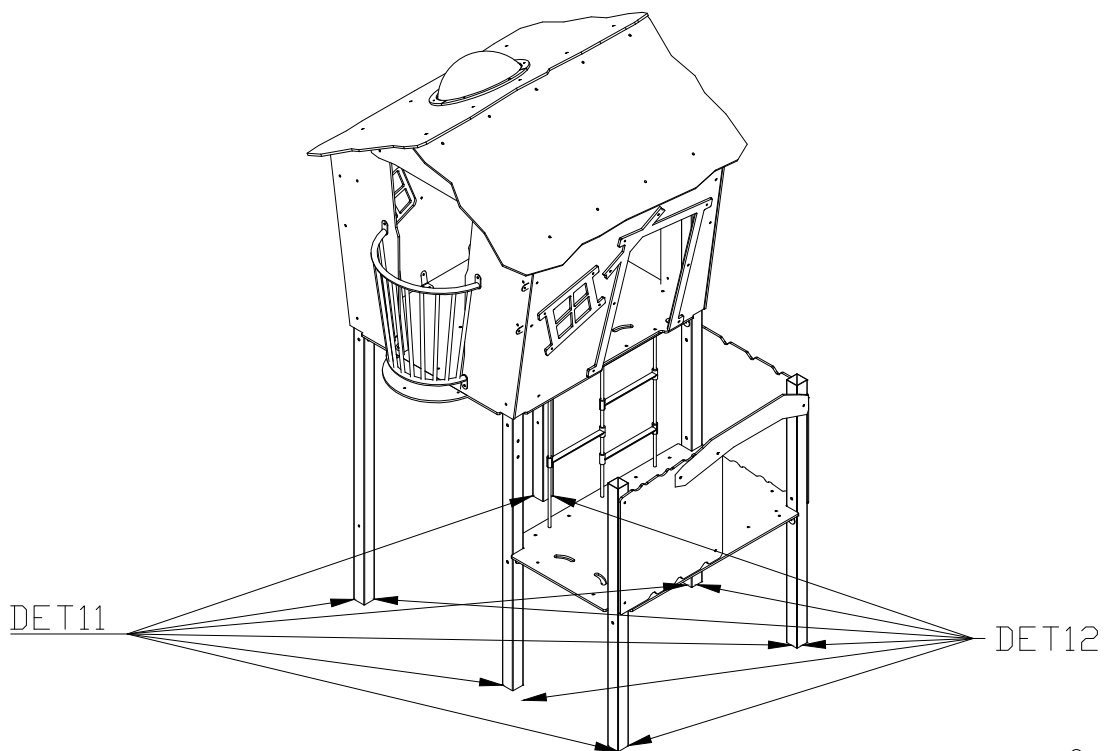


M10x60 x6

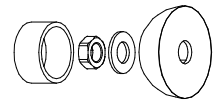
0303001



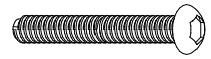
12.



13.

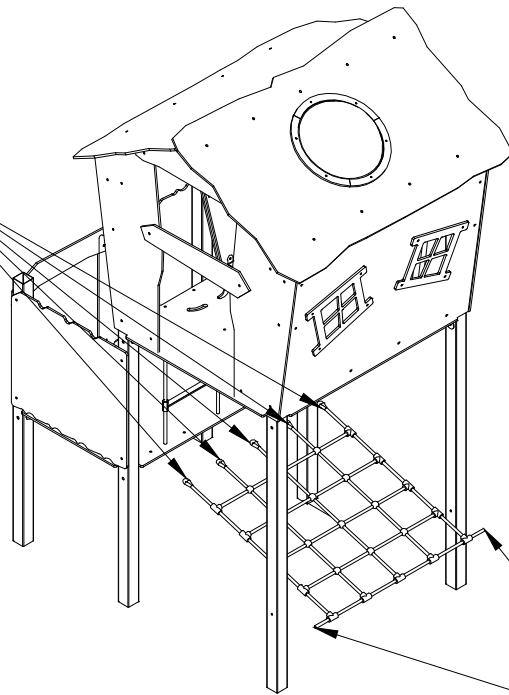


x2



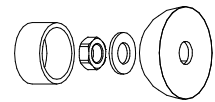
M10x60 x5

DET16



DET17

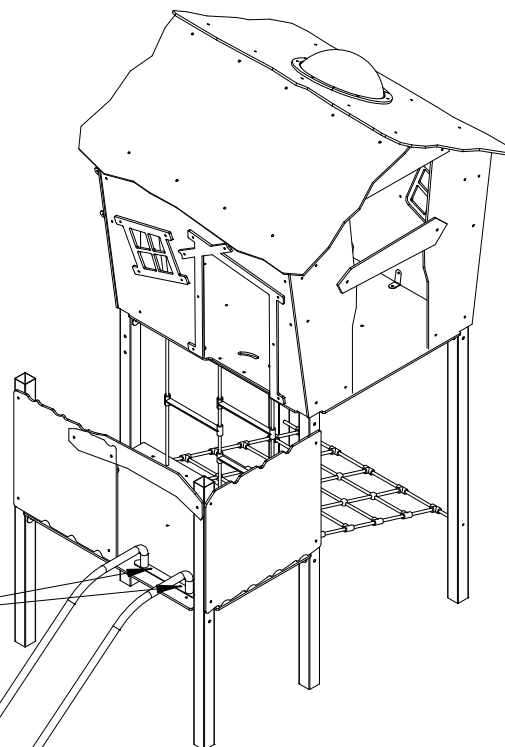
14.



M10x60 x2

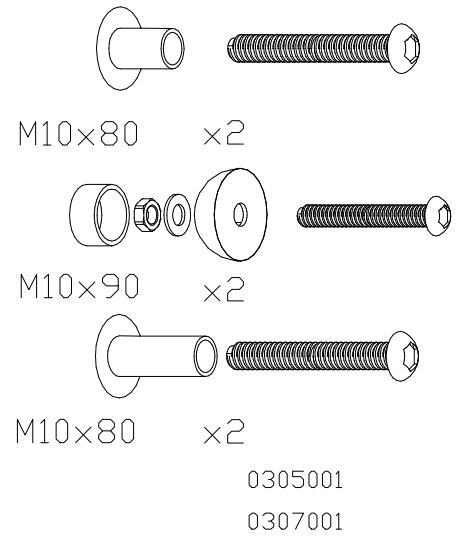
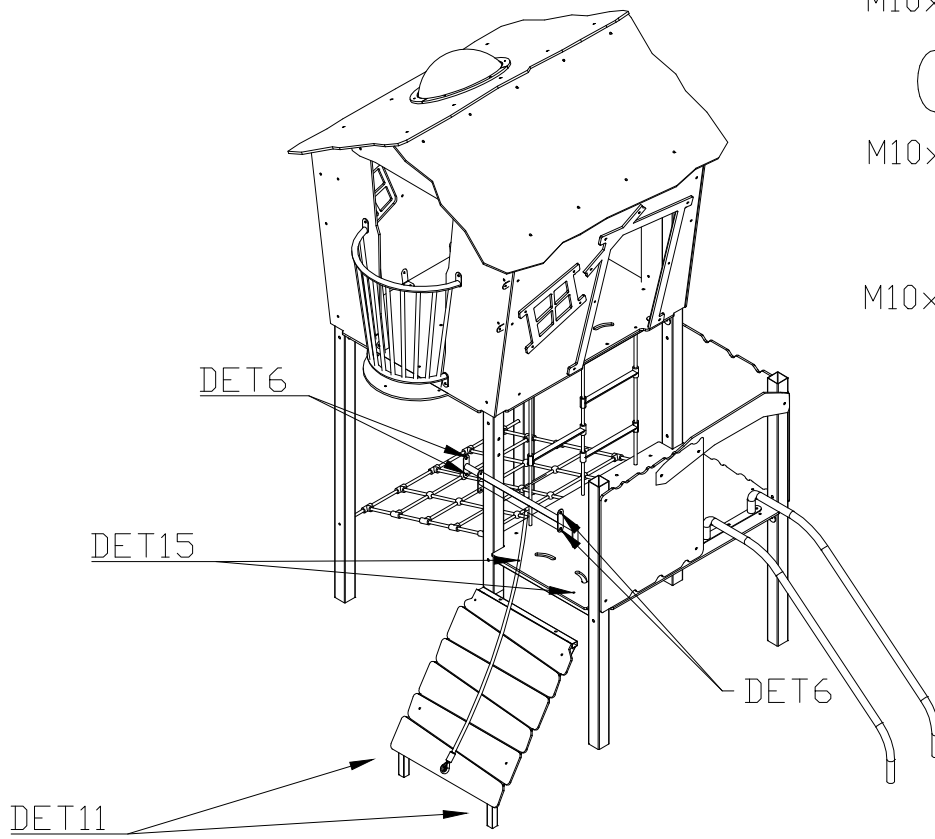
0305002

DET3



DET11

15.



16.

