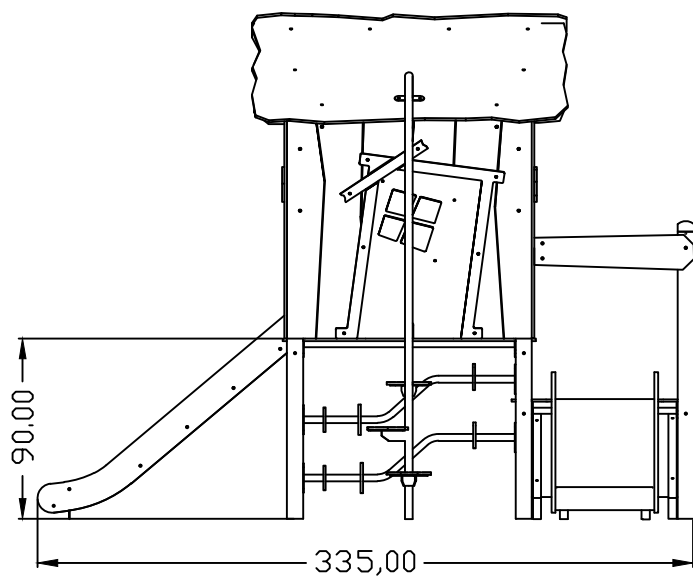
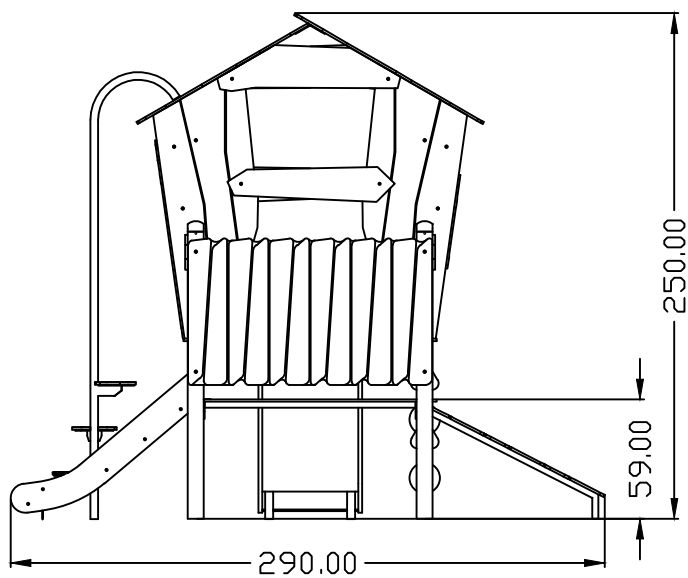
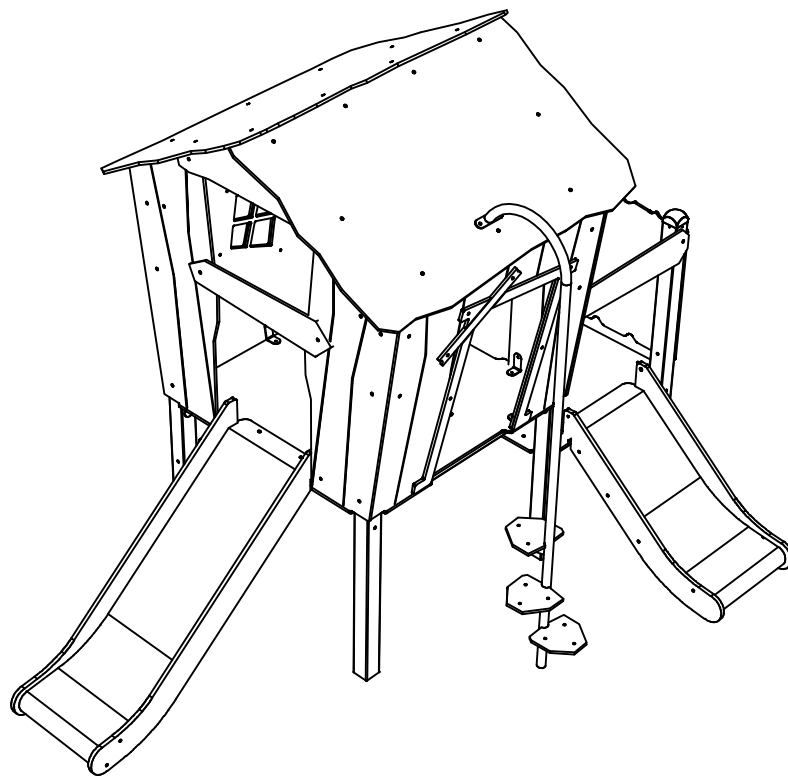
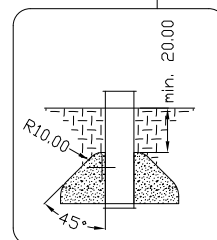
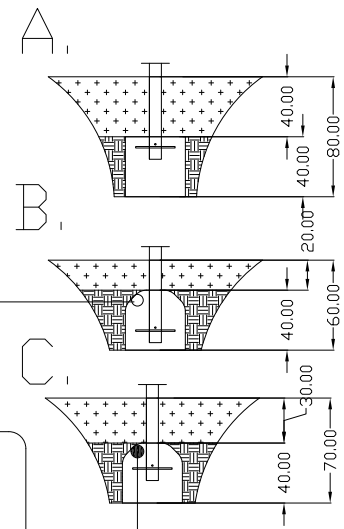
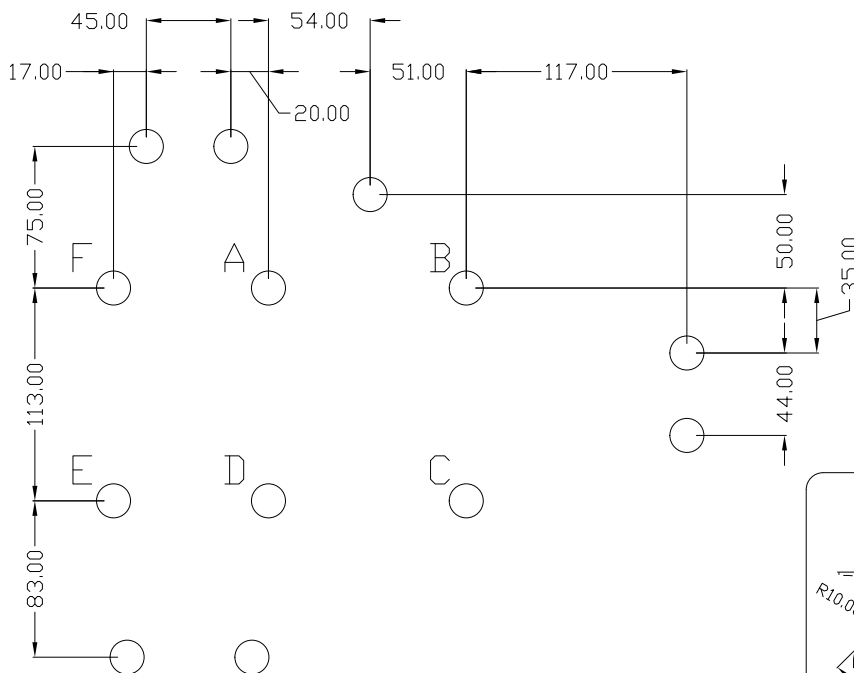
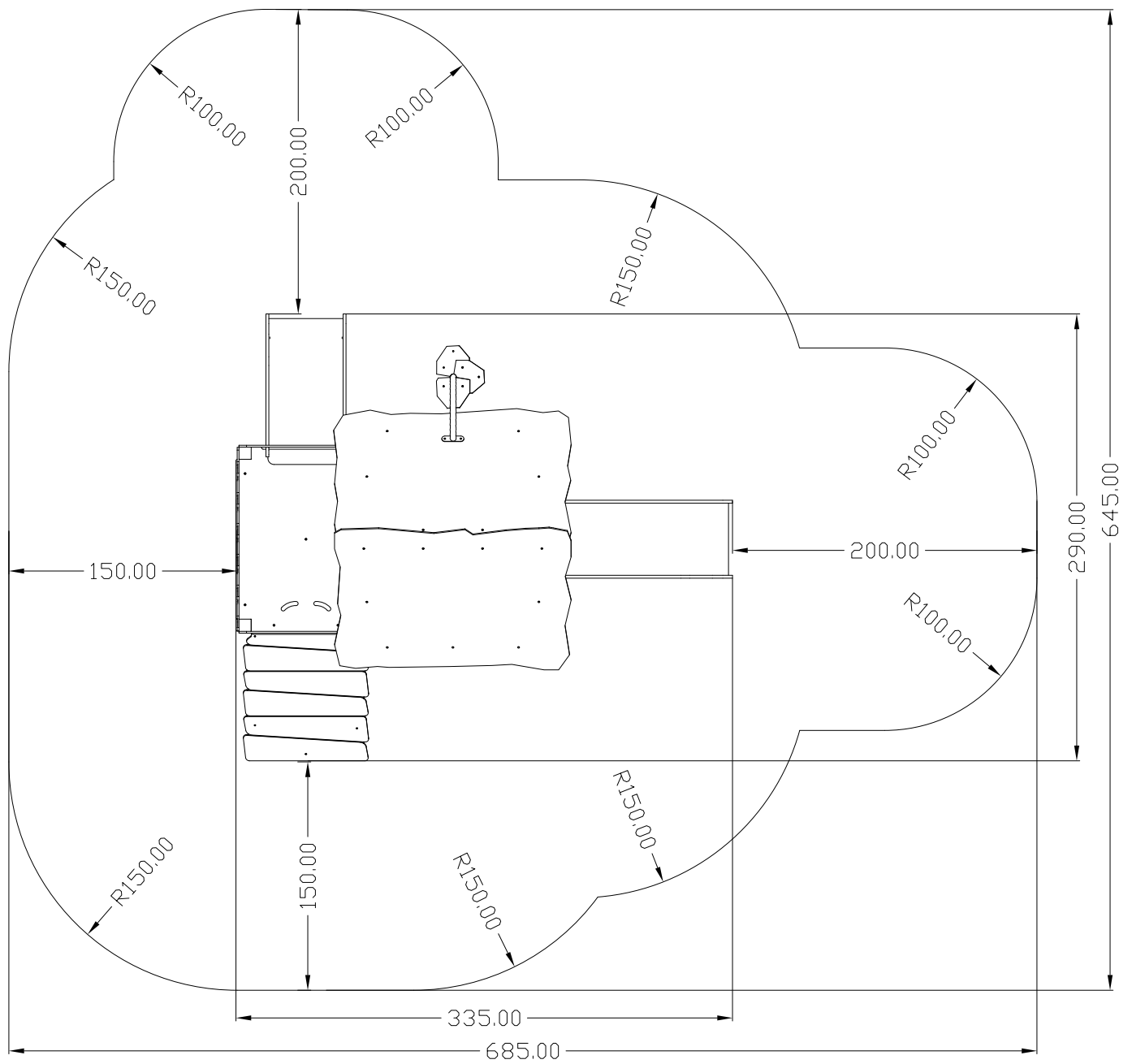
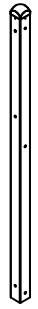


0305







x1



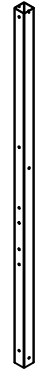
x1



x1



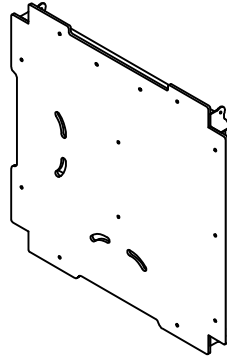
x1



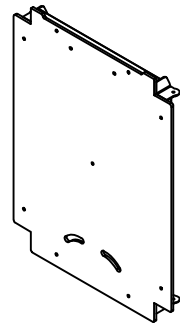
x1



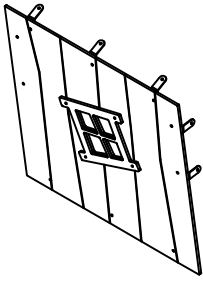
x1



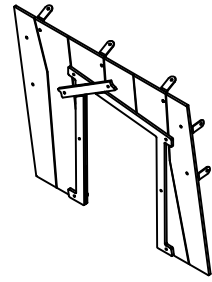
x1



x1



x1



x1



x1



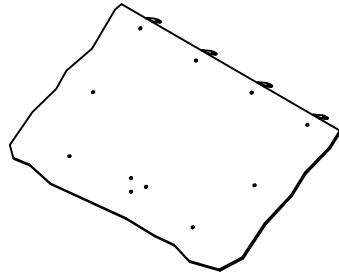
x1



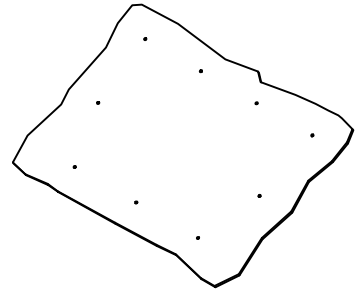
x1



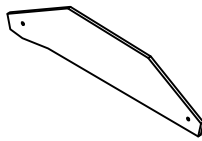
x1



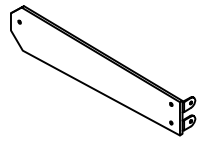
x1



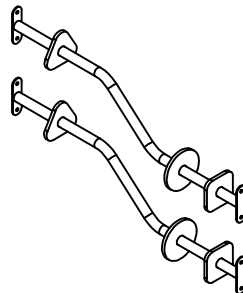
x1



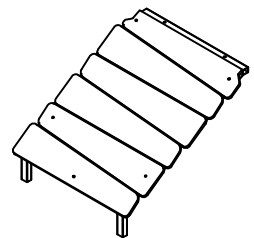
x2



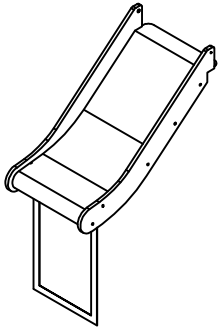
x2



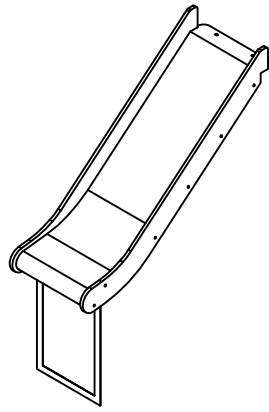
x2



x1



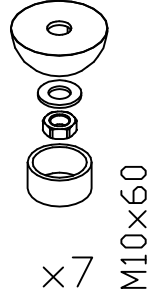
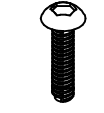
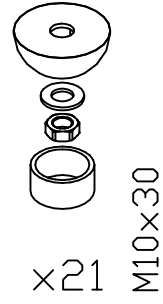
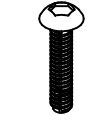
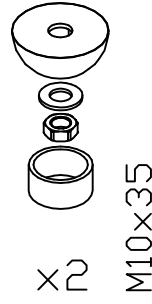
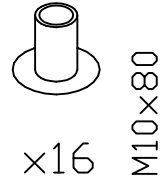
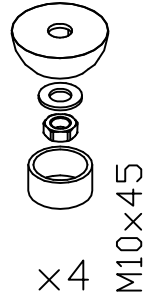
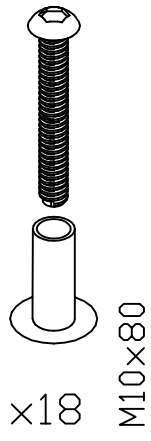
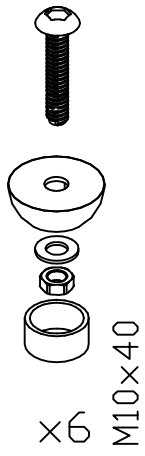
x1



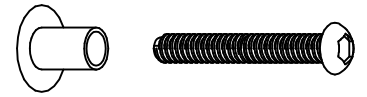
x1



x1

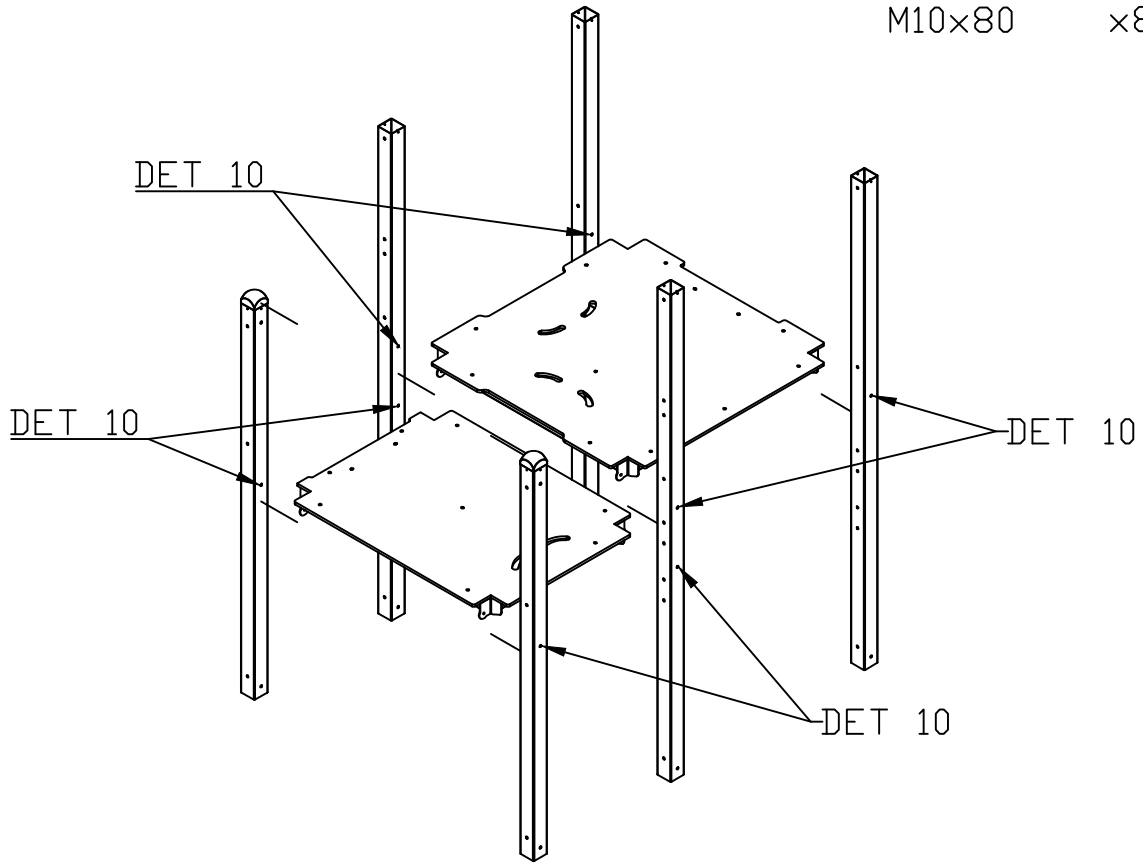


1.

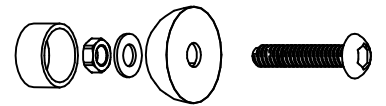


M10x80

x8

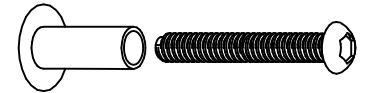


2.



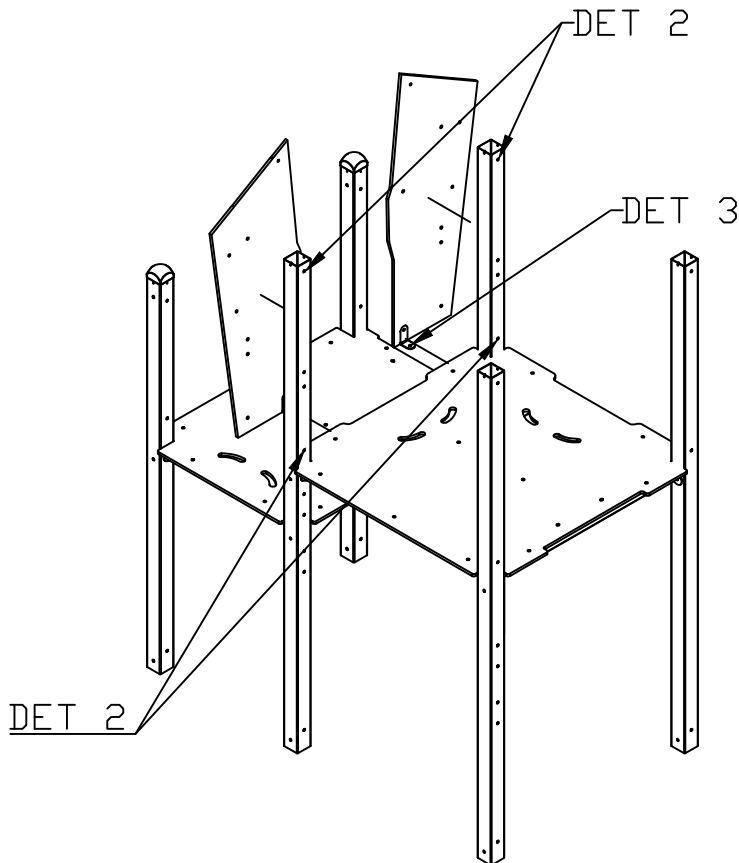
M10x40

x2

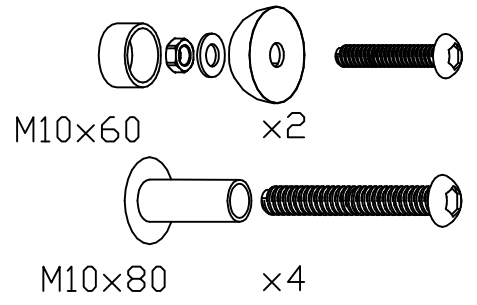
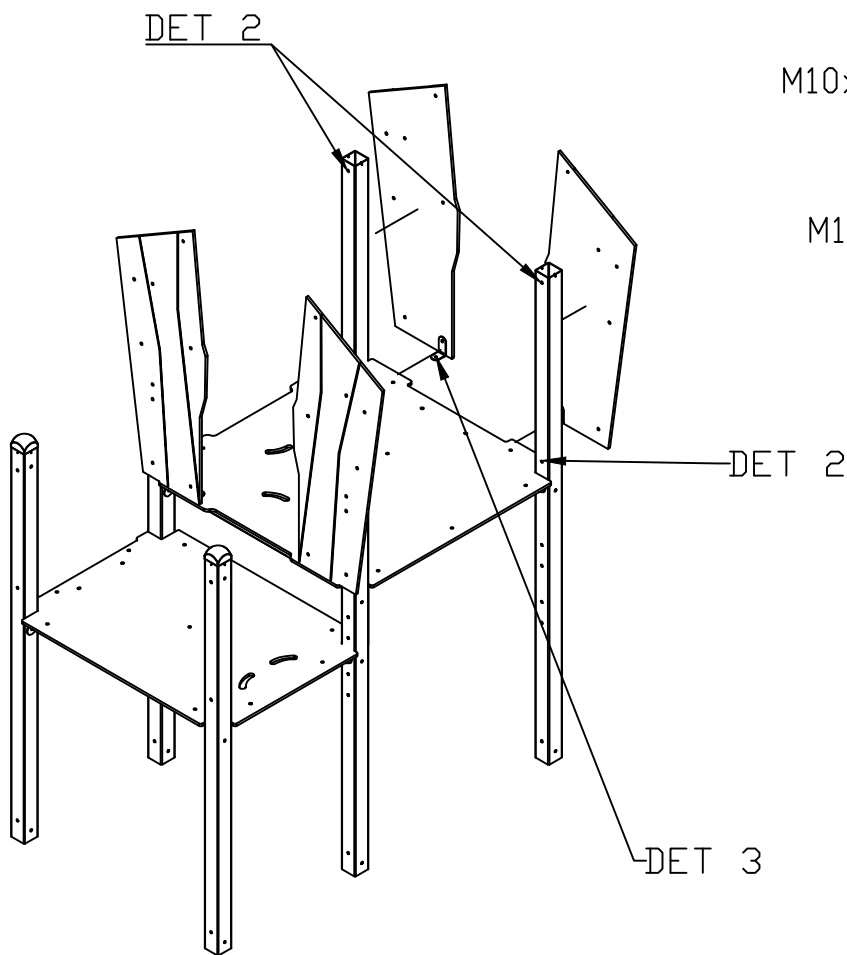


M10x80

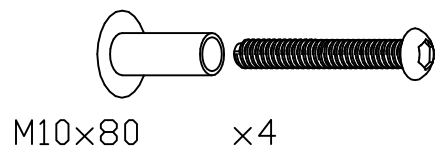
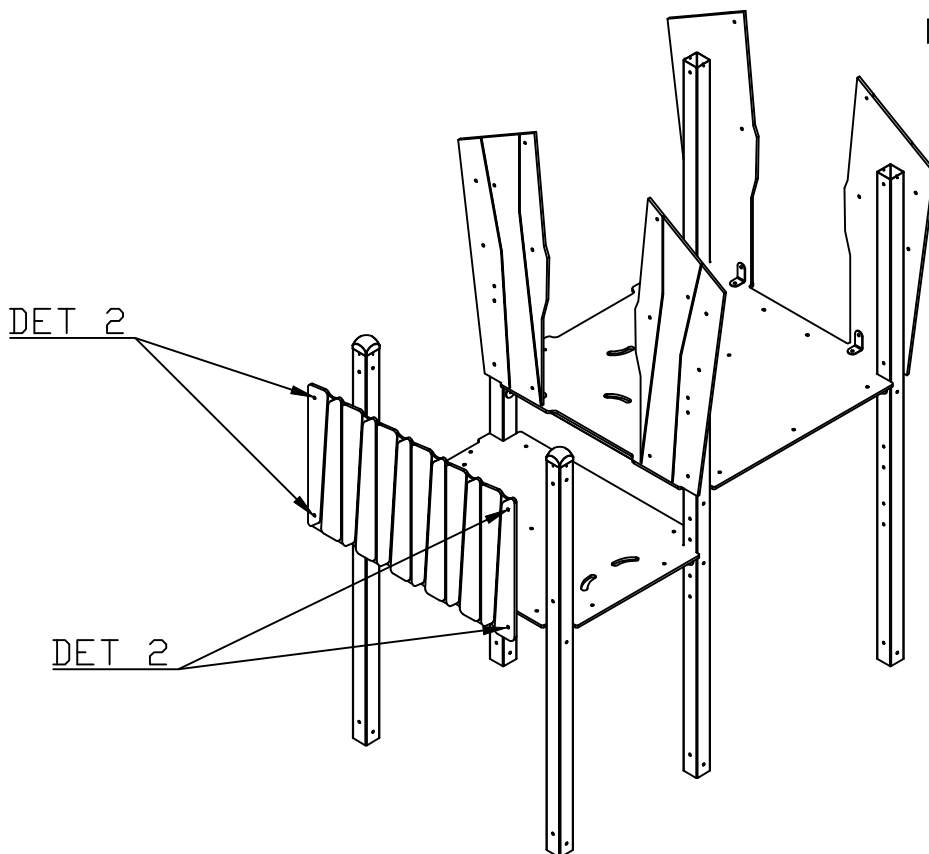
x4



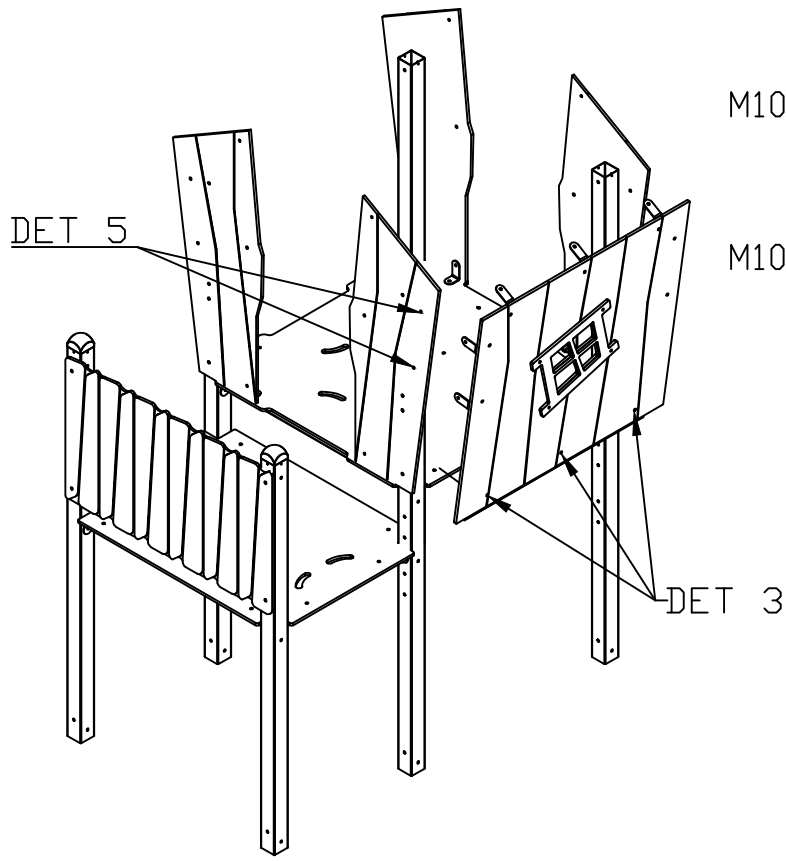
3.



4.

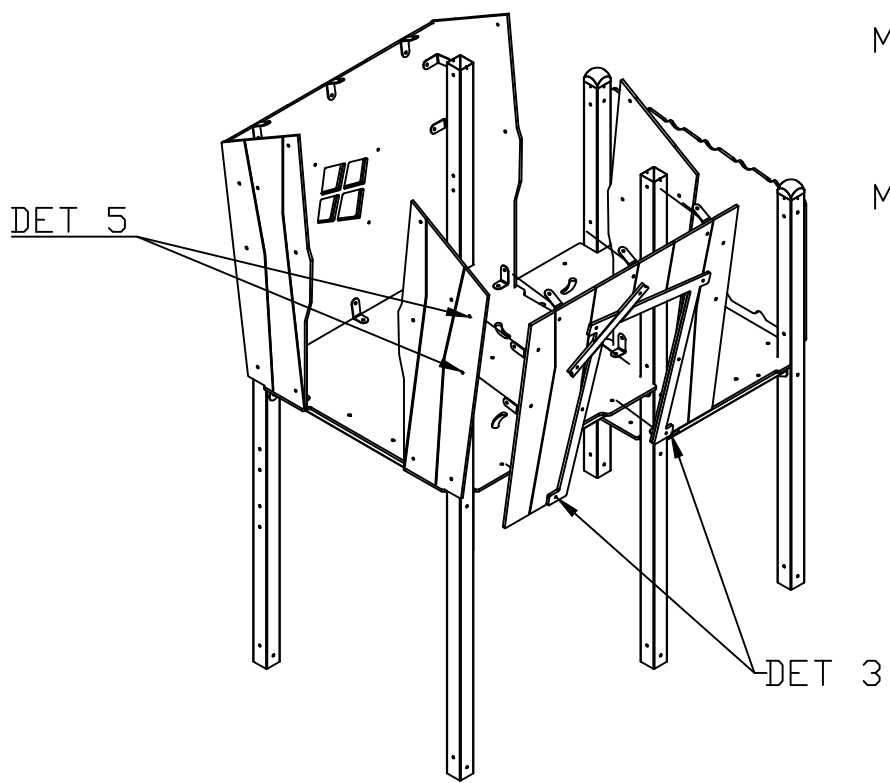


5.



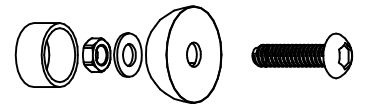
- M10x30 x4
- M10x60 x3

6.



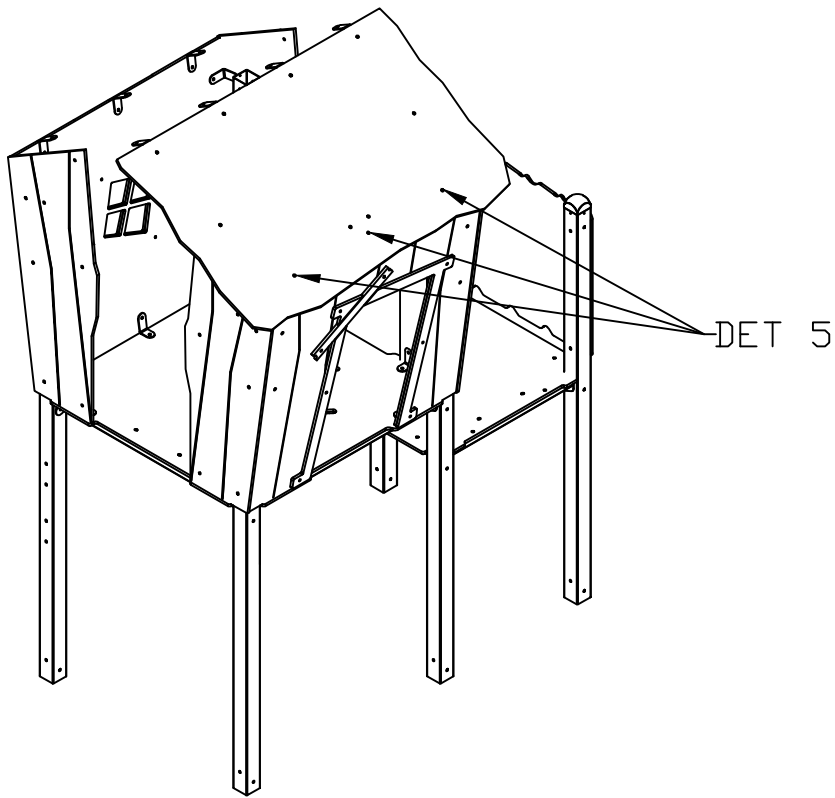
- M10x30 x4
- M10x60 x2

7,

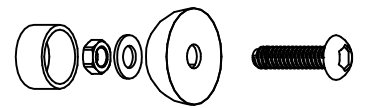


M10x30

x3

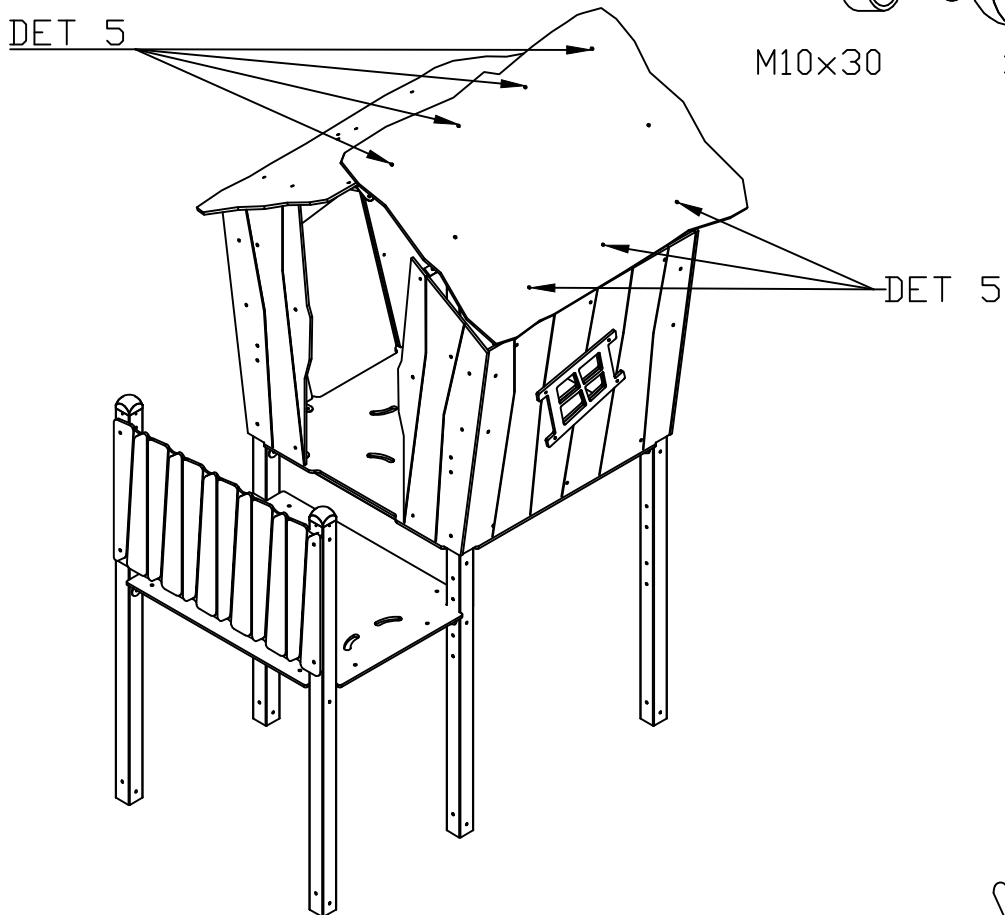


8,

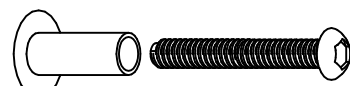
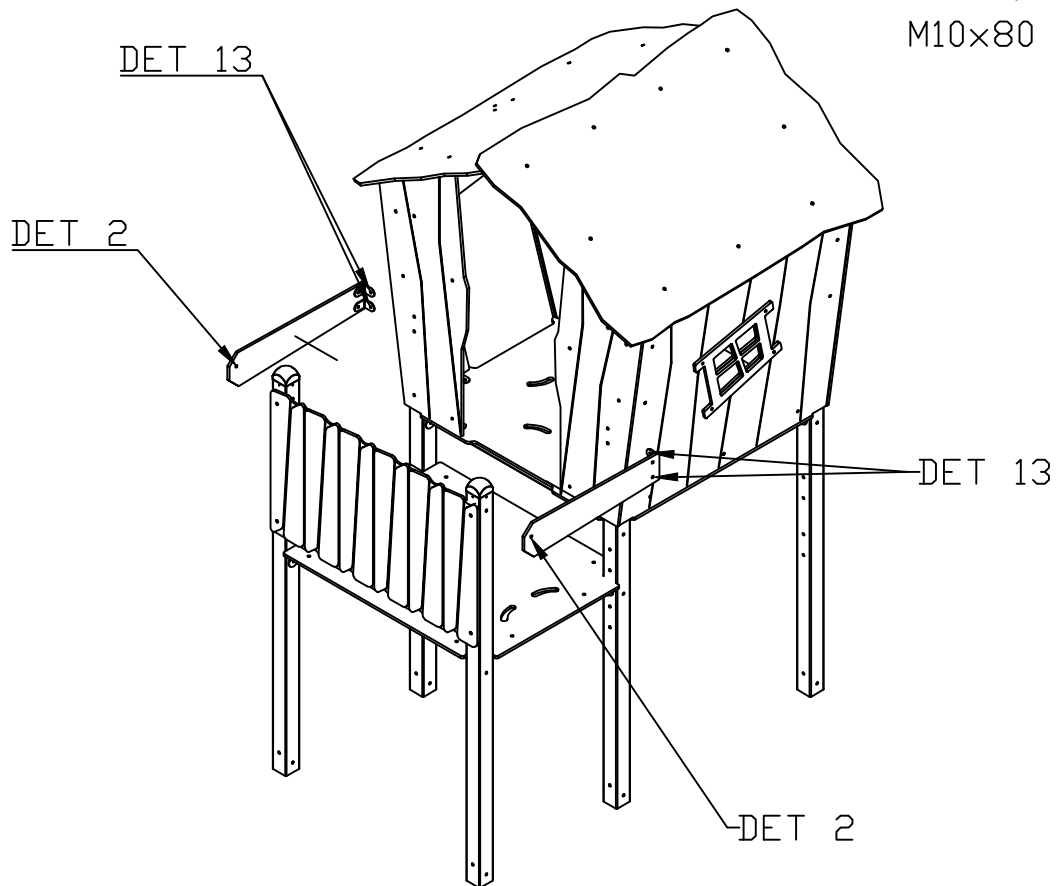


M10x30

x6

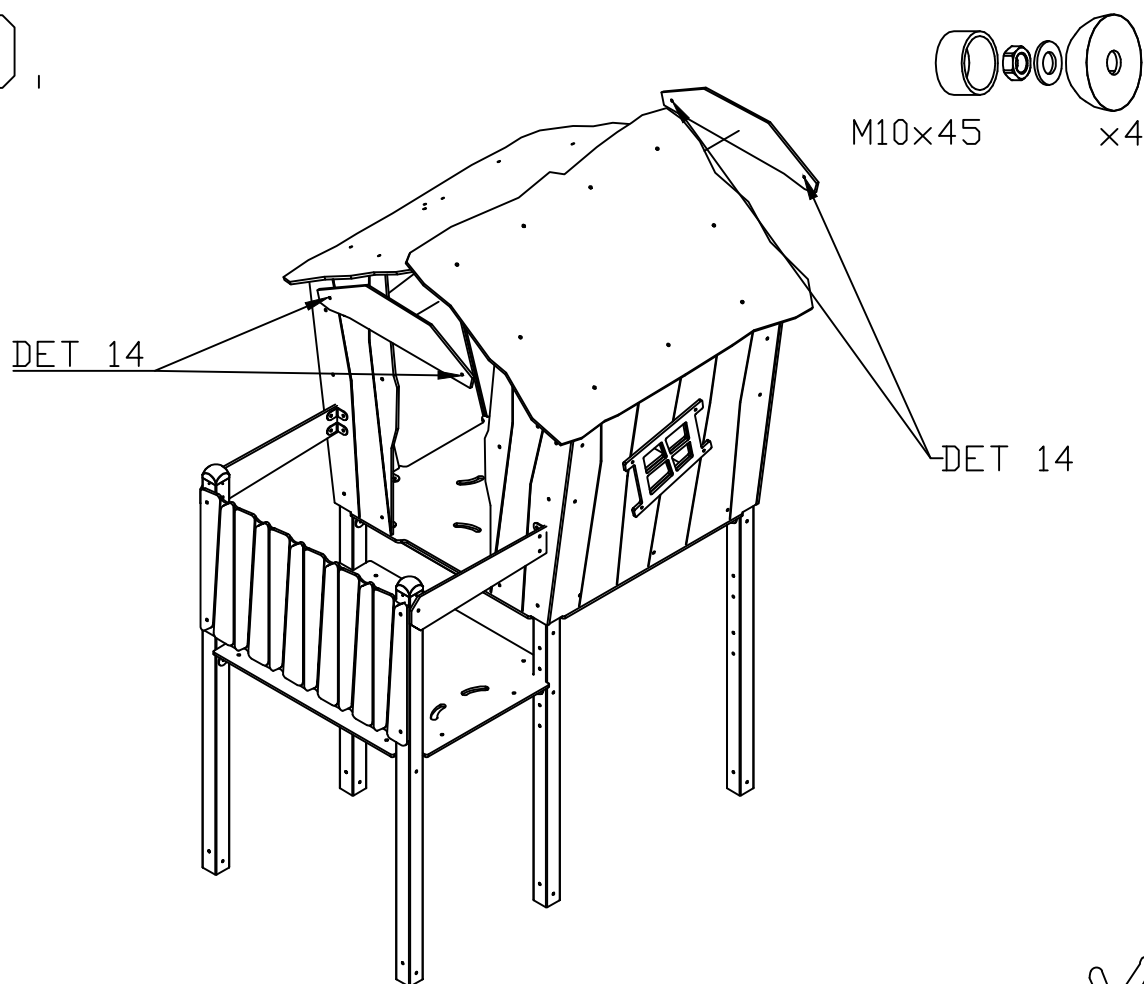


9.



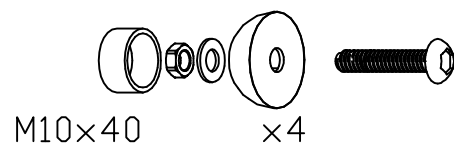
M10x80 x6

10.

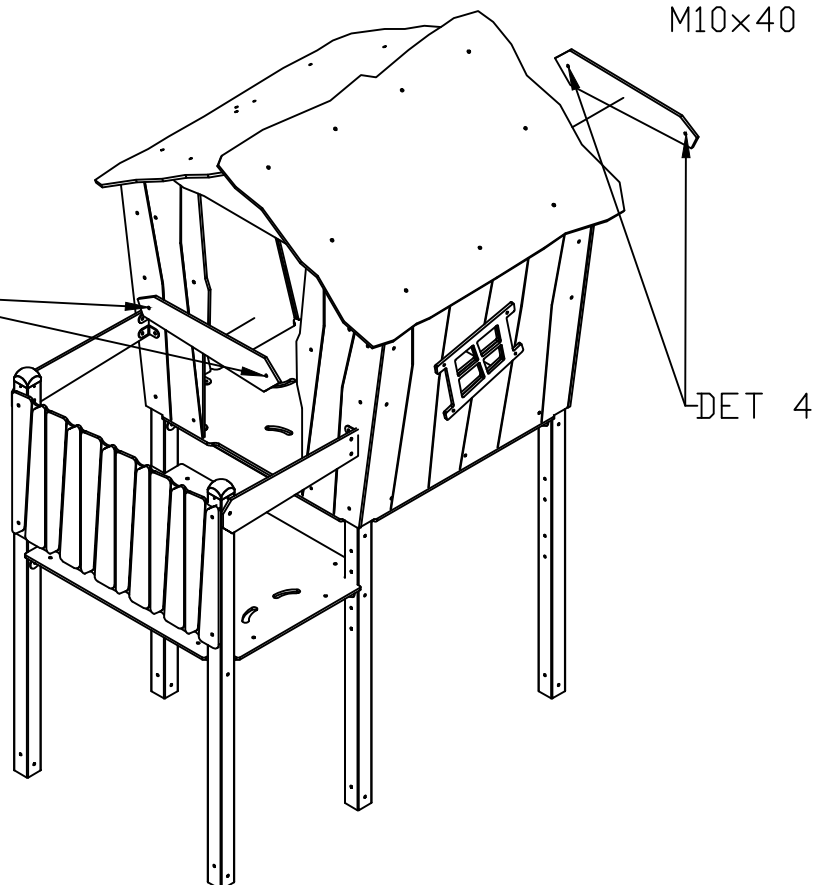


M10x45 x4

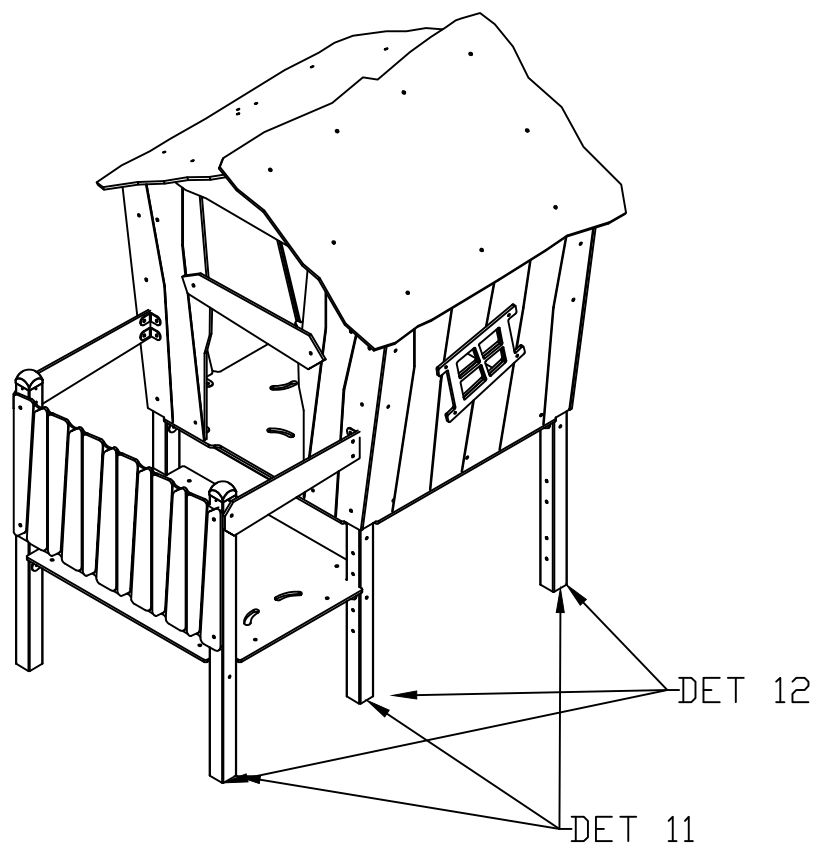
11.



DET 4



12.

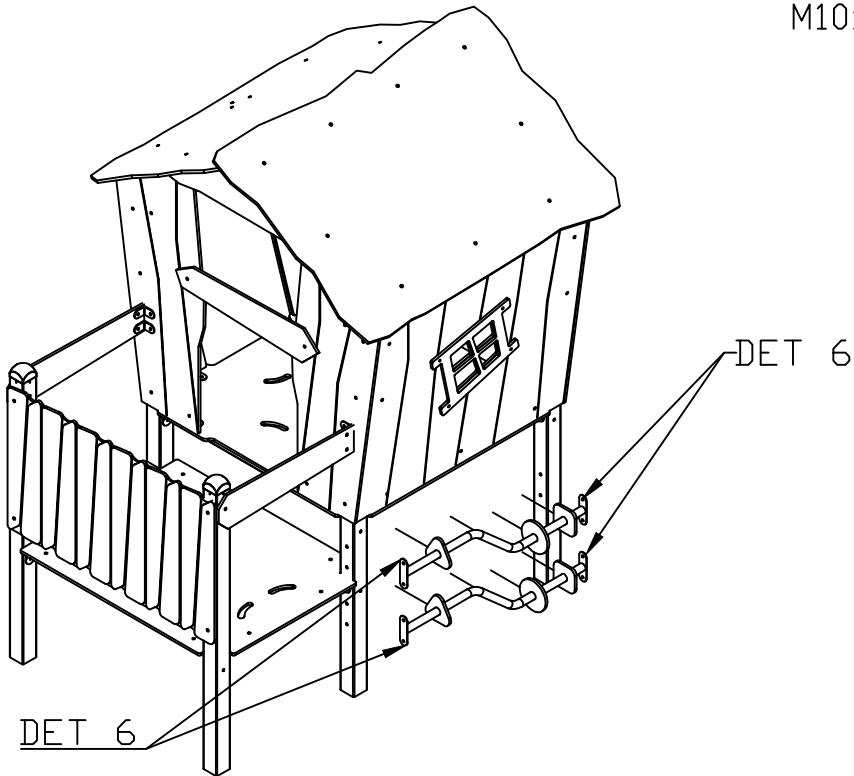


13.

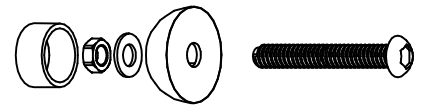


M10x80

x8

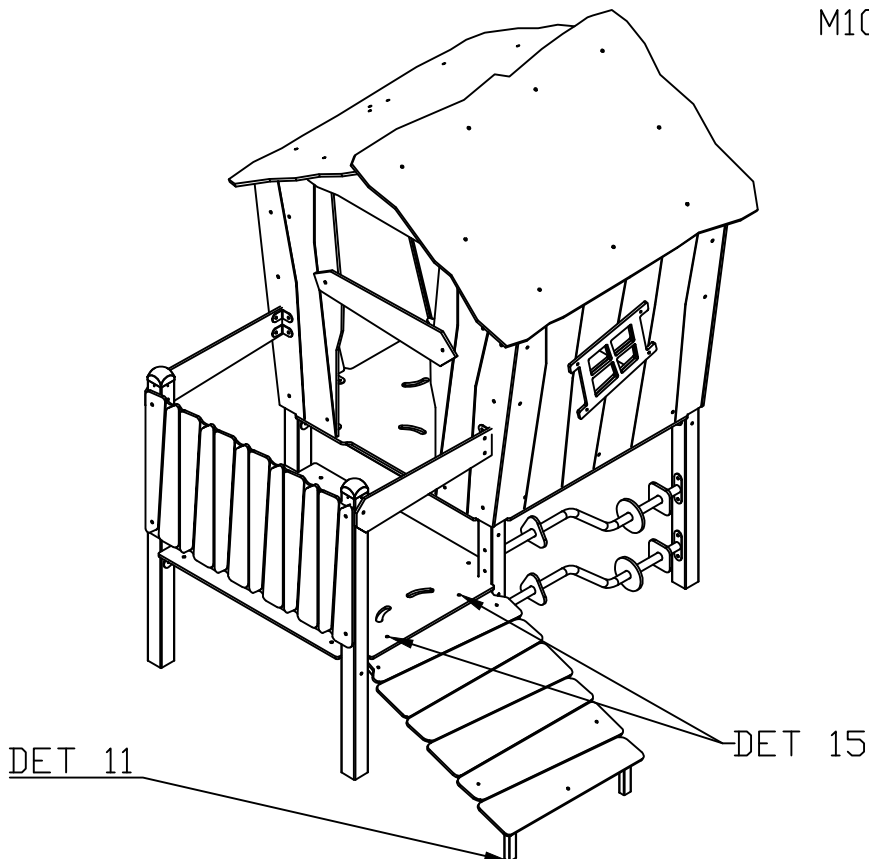


14.

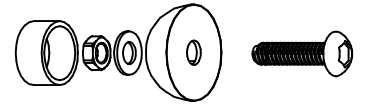


M10x90

x2

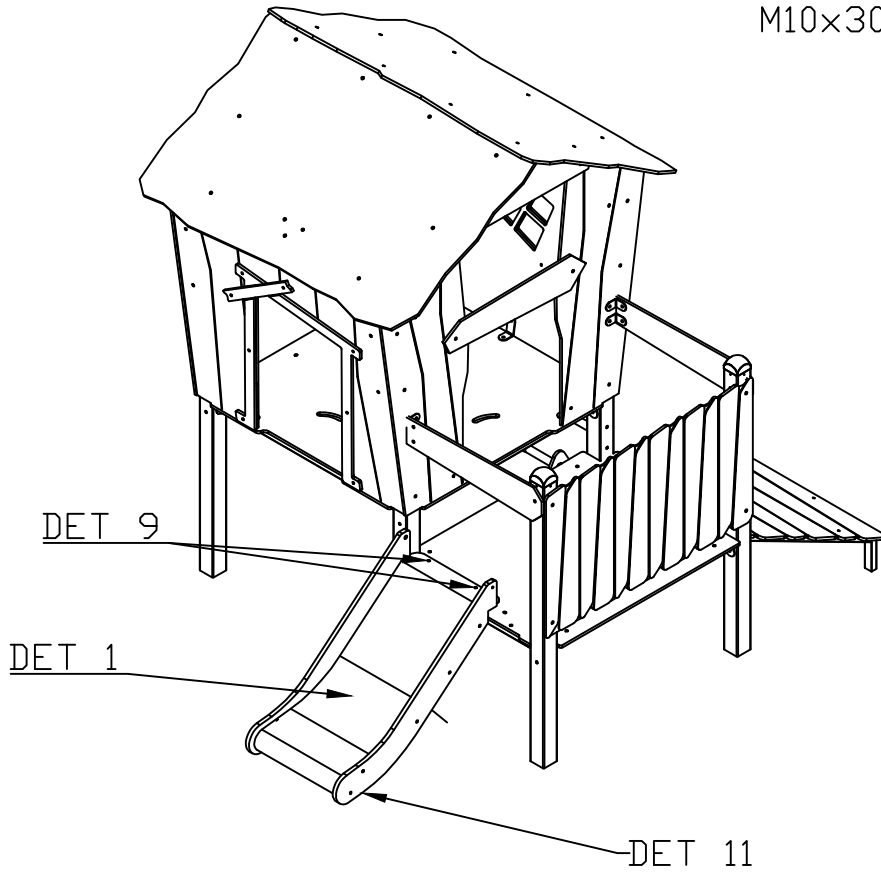


15.

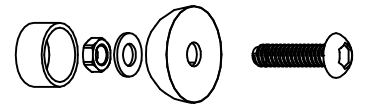


M10x30

x2

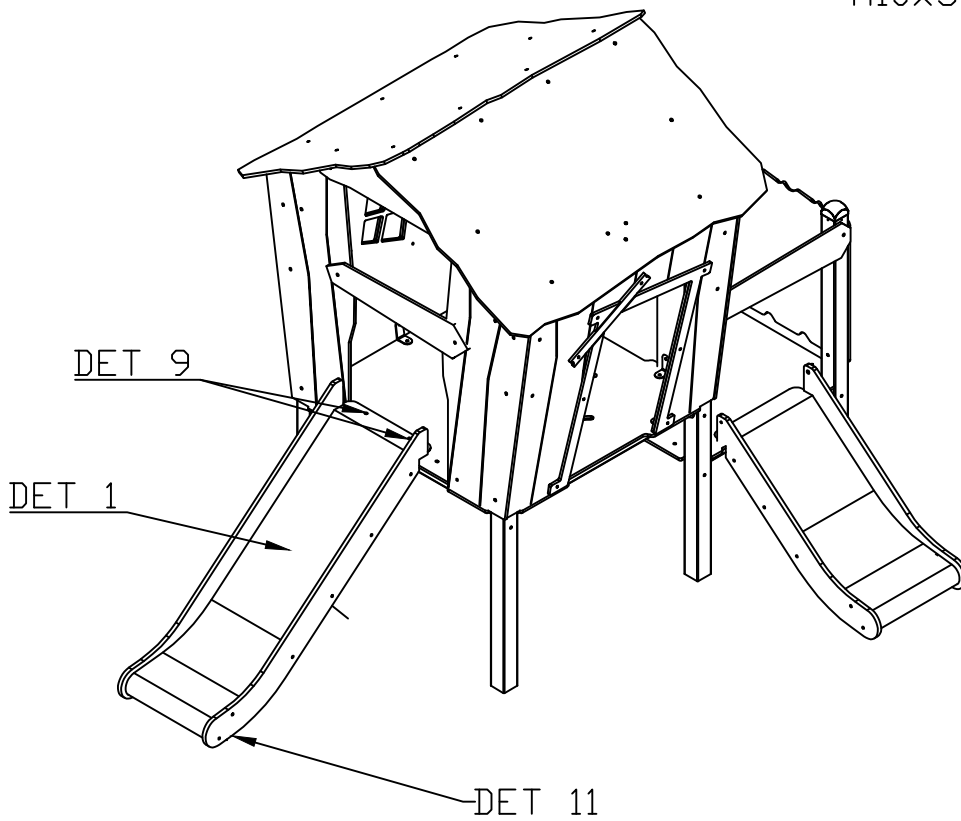


16.

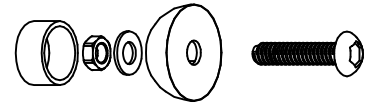


M10x30

x2



17.



M10x35

x2

