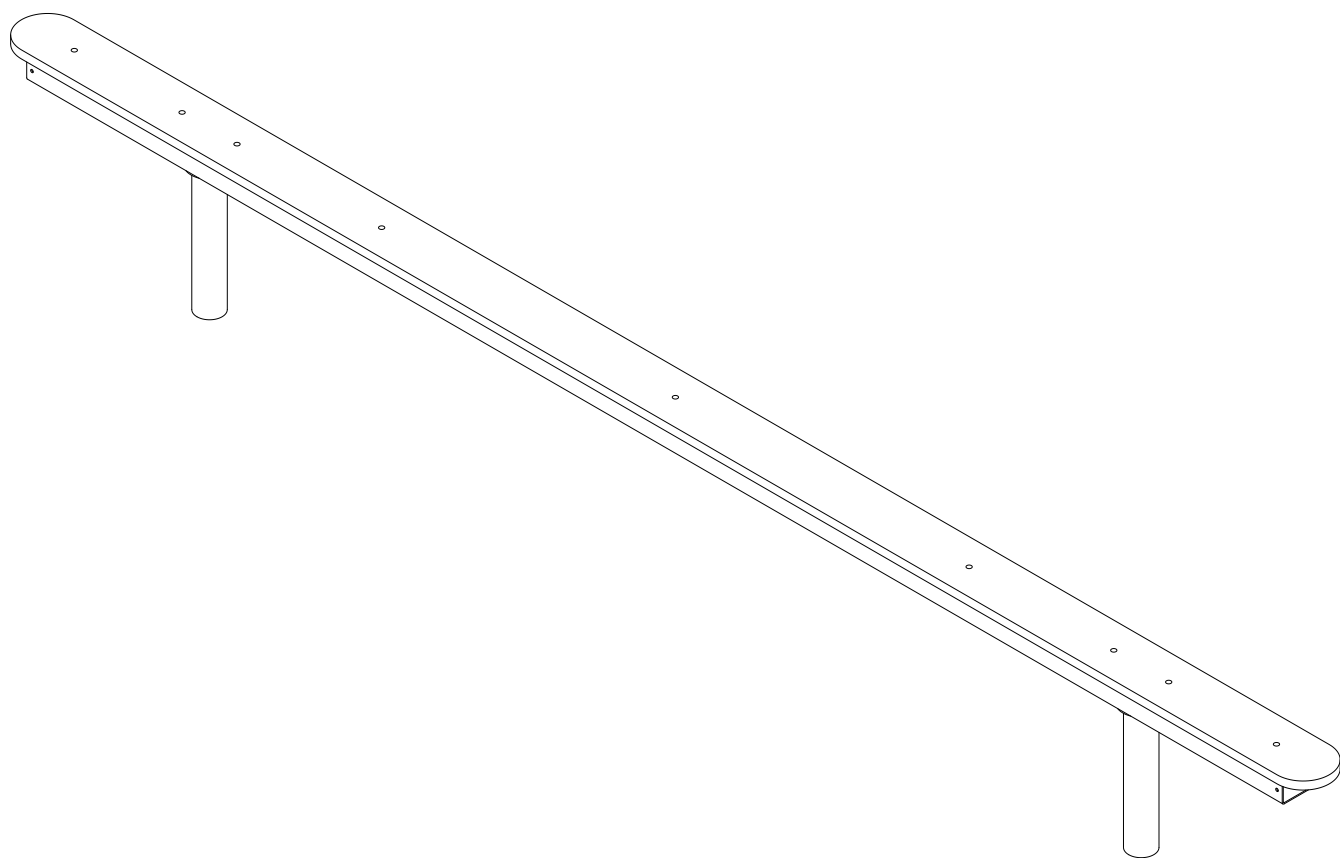


0411



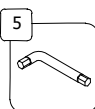
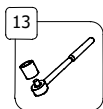
[cm]

v1/04.10.17

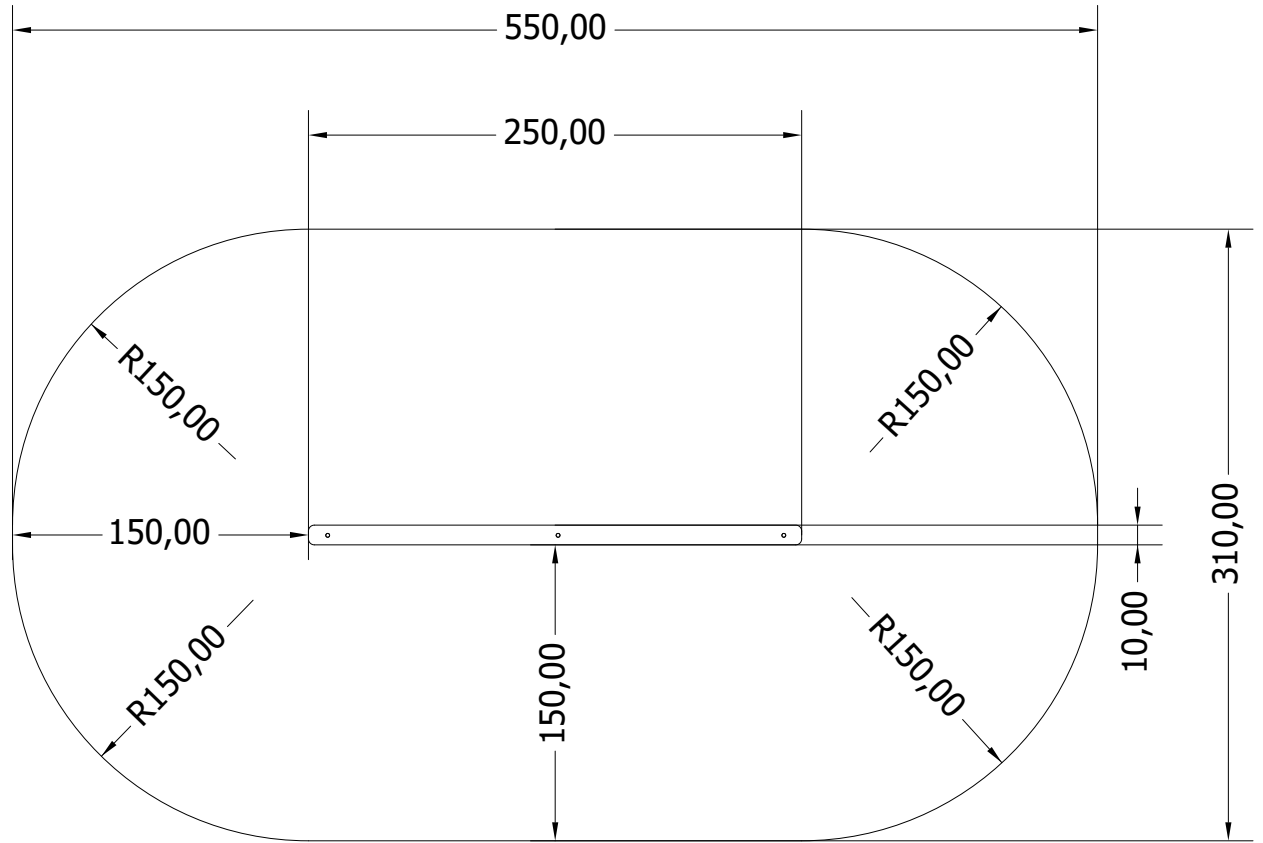
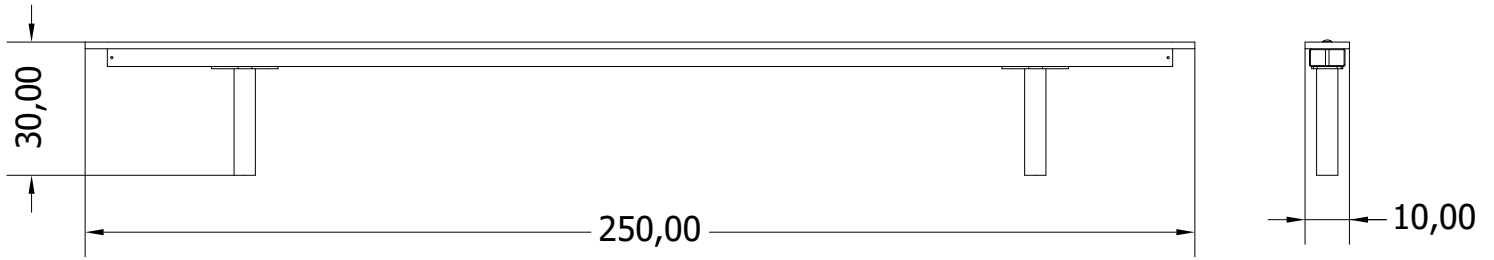


1h

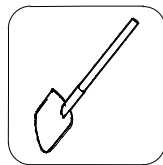
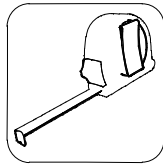
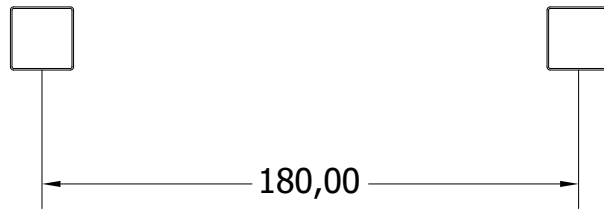
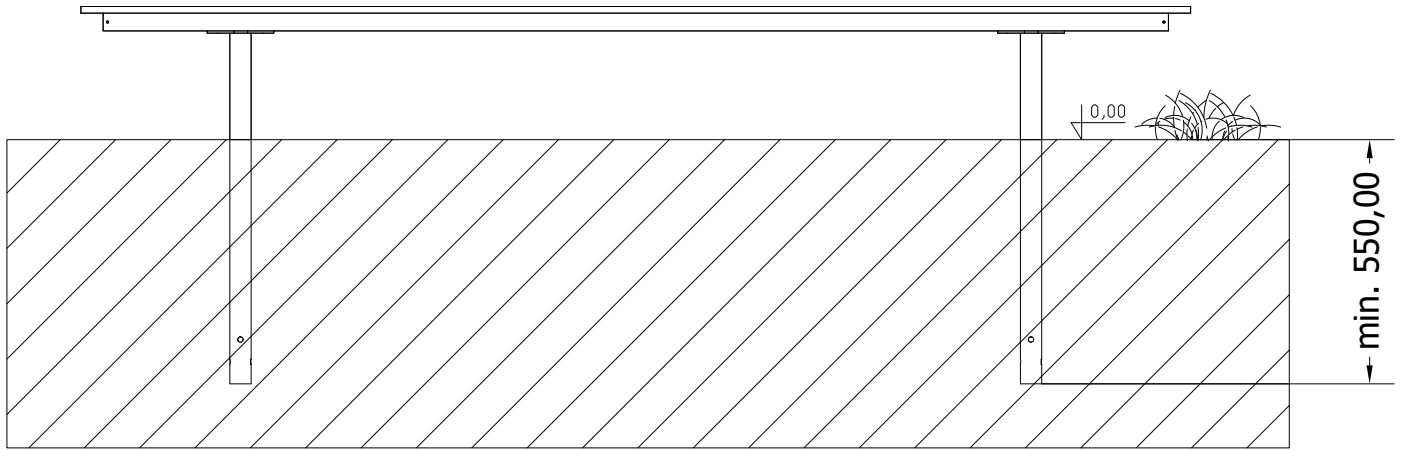
30
HIC



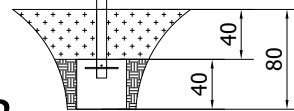
play
vinci



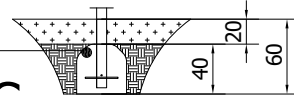
[cm]



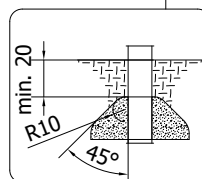
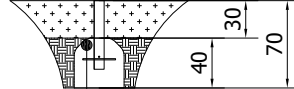
A.

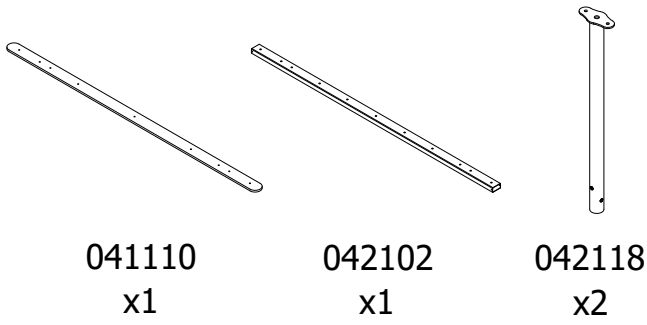


B.



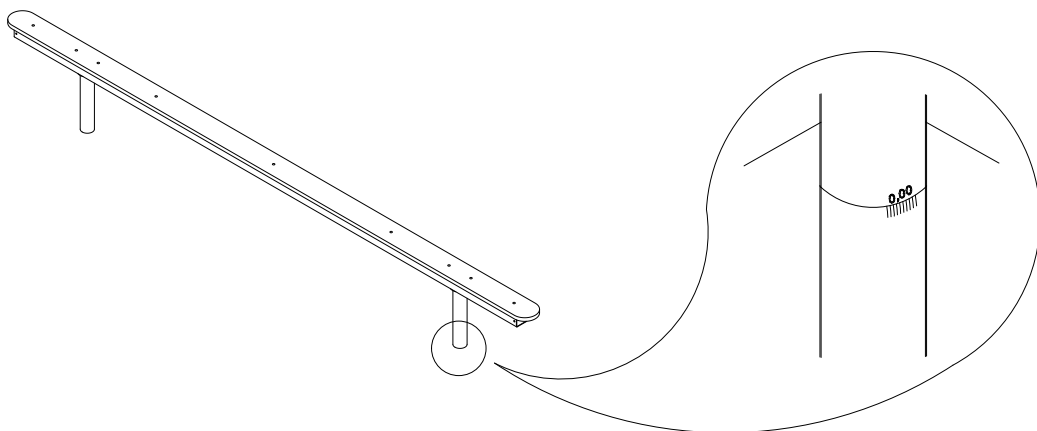
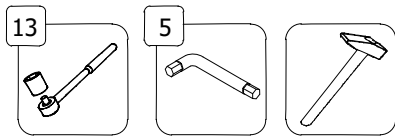
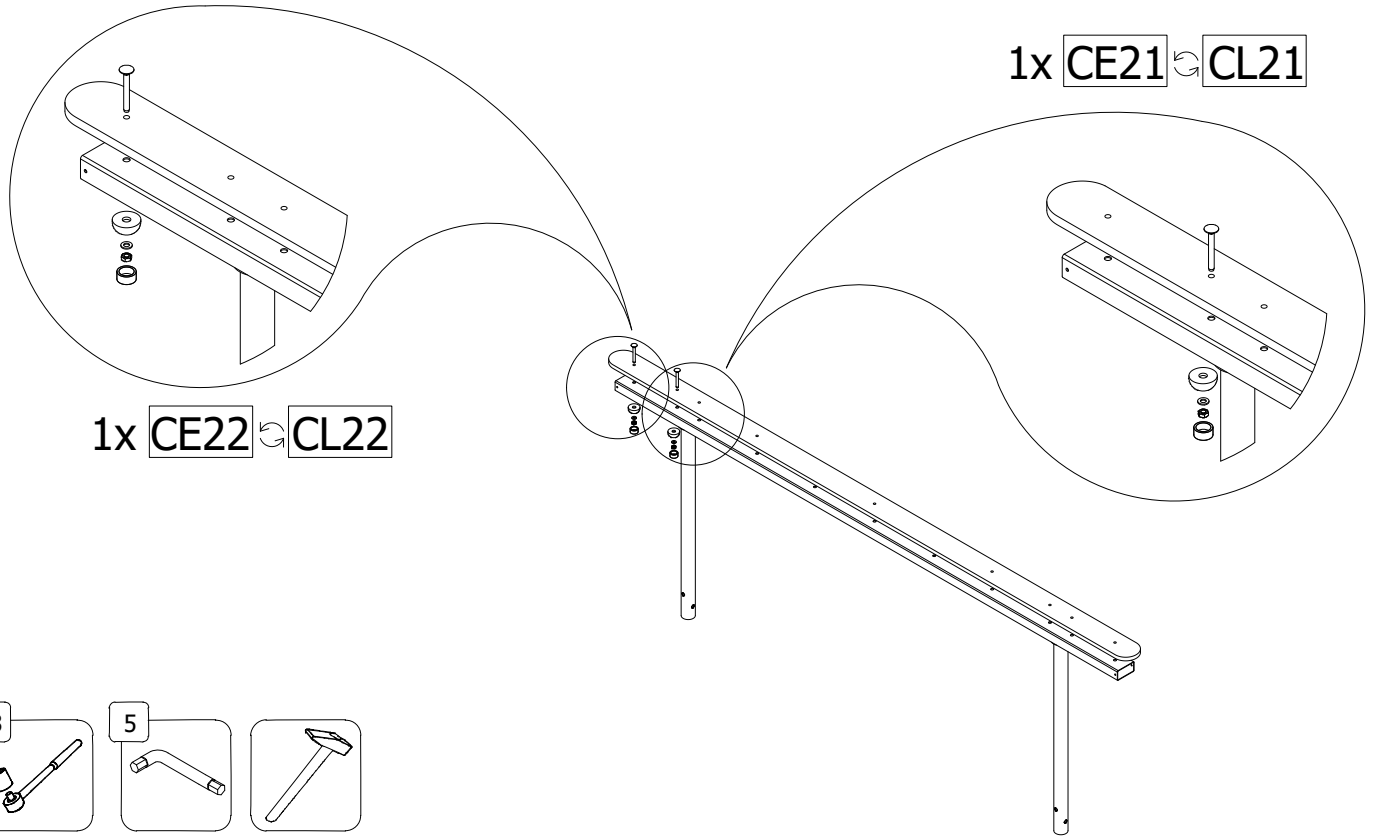
C.



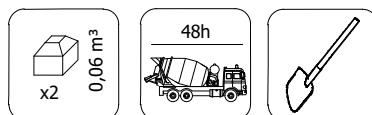


1x **CE21** ↔ **CL21**

1x **CE22** ↔ **CL22**



[cm]



play
Vinci