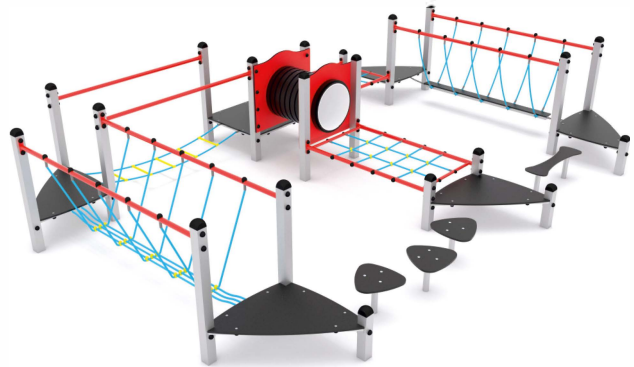


climboo 0414

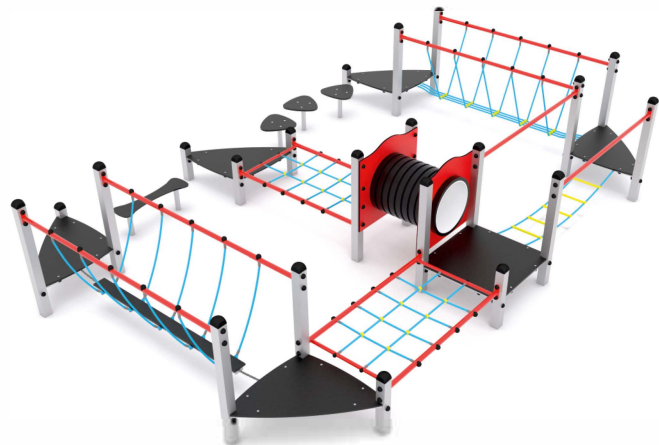
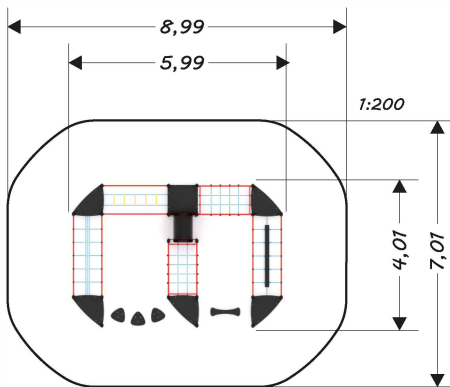
MAX RANGE

METAL DEVICE

DEVICE SPECIFICATIONS	
Safety zone	56,90 m ²
Length	5,99 m
Width	4,01 m
Total height	1,20 m
Free fall height	0,40 m
Age range	3-14 years
In accordance w/ EN standards	1176-1:2009
Availability of spare parts	Yes
Weight of the heaviest part [kg]	26
Dimension of the biggest part [cm]	255x15x5



Minimal space



MATERIAL SPECIFICATION

Climboo series – single elements and functional sets of devices for athletic purposes. The series is composed of elements designed for climbing, hanging down, crossing, crawling, jumping and exercising the sense of balance.

- 80 x 80 mm galvanized and/or powder coated steel construction
- Arched platform made out of durable waterproof anti-skidding plate
- All screws covered with colorful plastic caps
- No sharp edges or chinks that would pose a danger for jamming of the head, fingers or any other body parts
- Safe rubber plug buttons topping the construction
- Double wall tunnel pipe made out of polypropylene PP
- Steel ropes enclosed with polypropylene, linked by durable plastic elements

ADDITIONAL COMMENTS

- The device is certified by an accrediting organization
- Embedded 80/70/60 cm deep in flat ground
- The device is designed for public playgrounds

Due to the free fall height of the device, the EN 1176-1:2009 standard allows the following surfaces to cushion a fall. The level of granular materials requires filling in, conservation of synthetic materials is required in accordance with the manufacturer's instructions. Dimensions of the foundation are described in installation instruction.

Material	Description [mm]	Minimal layer thickness (mm)	Dimensions foundation
Turf/Soil			A,B,C
Tree bark	Grain size from 20 to 80	300	A,C
Chip	Grain size from 5 to 30	300	A,C
Sand	Grain size from 0,2 to 2	300	A,C
Gravel	Grain size from 2 to 8	300	A,C
Synthetic materials	Free fall approval ≥400		A,B,C