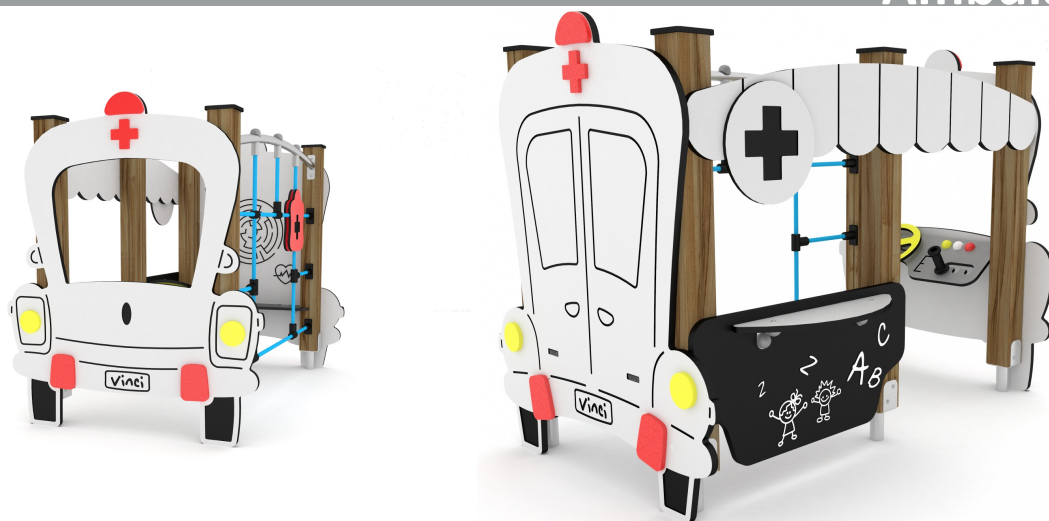


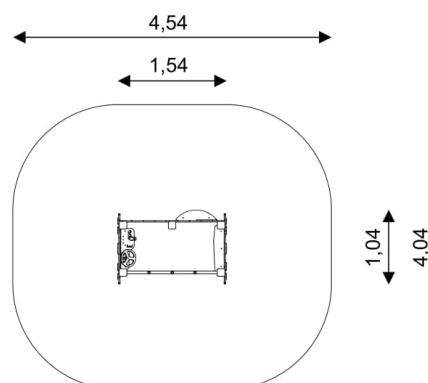
WOODEN WD1432

Ambulance



Specification	
Safety zone	16,40 m ²
Length	1,54 m
Width	1,04 m
Overall height	1,20 m
Free Fall Height	1,10 m
Age range	1-8 lat
Complies with the EN standard	1176-1:2017-12
Mass of the heaviest part [kg]	10
Dimension of the largest part [cm]	151x100x1,2
Availability of spare parts	Tak

Minimal space



MATERIAL SPECIFICATION

- construction with a cross-section of 90x90 mm, made of impregnated glued wood;
- top of the structure secured with polyethylene covers protecting the wood top;
- the base of the wooden structure is based on metal anchors, which protect the wood against direct contact with the ground, and thus prevent the development of rot and prolong its life;
- casings made of HDPE or HPL polyethylene panels resistant to atmospheric conditions;
- screws made of stainless steel or protected with plastic caps;
- lack of sharp edges and crevices that could allow pinching of: fingers, head and other parts of the body;
- handrails made of stainless steel;
- steel ropes in polypropylene braid, joined with durable plastic elements;

Additional remarks

- the device has a certificate issued by an accredited body or a declaration of conformity;
- anchoring on flat ground at a depth of 80/70/60 cm;
- the device is intended for public playgrounds;

Surfaces

Due to the height of the free fall of the device, the PN-EN 1176-1: 2017-12 standard permits the following types of surface: sand layer 30 cm thick (A, C), synthetic attested for a fall height of 1.10 m (A, B, C)