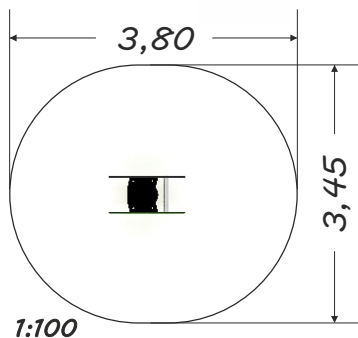


# spring 0616

## COW SPRING RIDER

Device Specifications	
Safety zone	11,10 m <sup>2</sup>
Length	0,80 m
Width	0,45 m
Total height	0,80 m
Free fall height	0,50 m
Age range	1-12 yrs
In accordance w/ EN standards	1176-1:2009
Availability of spare parts	Yes
Weight of the heaviest part [kg]	34
Dimension of the biggest part [cm]	80x130x42

Minimal space



### MATERIAL SPECIFICATION

Spring series – created with incredible precision, which makes our spring rockers not only safe, but also visually appealing. Vivid colors and inviting shapes will attract every little explorer. The durability of this product is ensured by the atmospheric condition resistant materials it is made out of.

- Steel 20 mm spring phosphoresced with iron and powder coated
- Seat and all other elements made out of atmospheric condition resistant HDPE polythene plates
- No sharp edges or chinks that would pose a danger for jamming of the head, fingers or any other body
- All screws covered with colorful plastic caps
- Colorful ergonomic handles and stools made out of durable materials
- Galvanized and/or powder coated steel construction

### ADDITIONAL COMMENTS

- The device is certified by an accrediting organization
- Embedded 40 cm deep in flat ground
- The device is designed for public playgrounds

Due to the free fall height of the device, the EN 1176-1:2009 standard allows the following surfaces to cushion a fall. The level of granular materials requires filling in, conservation of synthetic materials is required in accordance with the manufacturer's instructions. Dimensions of the foundation are described in installation instruction.

Material	Description [mm]	Minimal layer thickness [mm]	Dimensions foundation
Turf/Soil			1, 2
Tree bark	Grain size from 20 to 80	300	1, 2
Chip	Grain size from 5 to 30	300	1, 2
Sand	Grain size from 0,2 to 2	300	1, 2
Gravel	Grain size from 2 to 8	300	1, 2
Synthetic materials	Free fall approval ≥500		1, 2