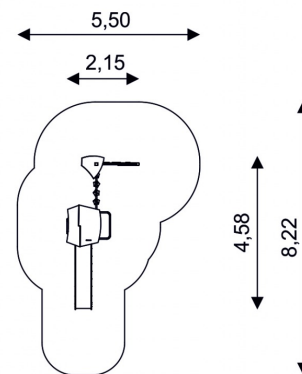




Device Specifications	
Safety zone	30,71 m ²
Length	4,58 m
Width	2,15 m
Total height	3,40 m
Free fall height	2,20 m
Age range	
In accordance w/ EN standards	1176-1:2017-12
Availability of spare parts	Yes

Minimal space



Material Specification

- Galvanized and/or powder coated steel 80 x 80 mm construction;
- Panels and roofs are made of atmospheric condition resistant HDPE or HPL plates;
- Durable, anti-slip and waterproof square platforms and climbing walls made of plywood or HPL;
- All screws covered with plastic caps;
- No sharp edges or chinks that would pose a danger of jamming the head, fingers or any other body parts;
- Steel ropes braided with PP, connected by durable plastic elements;
- Stainless steel slide with HDPE covers;
- Other galvanized and/or powder coated metal elements;
- Durable, colorful climbing rocks;

Additional comments

- Depth of foundations on a flat surface: 80/70/60 cm;
- The equipment is designed for public playgrounds;
- The equipment render is of an illustrative nature and shows only the general specification of the equipment, but not its actual appearance. The colours may differ from those demonstrated on render.
- Slides should not be installed southwards;

Surfaces

Due to the free fall height of the equipment, the EN 1176-1:2017 standard allows the following surfaces: sand with minimal layer thickness of 30 cm (A,C), synthetic material approved for free fall of 2,20 m (A,B,C)