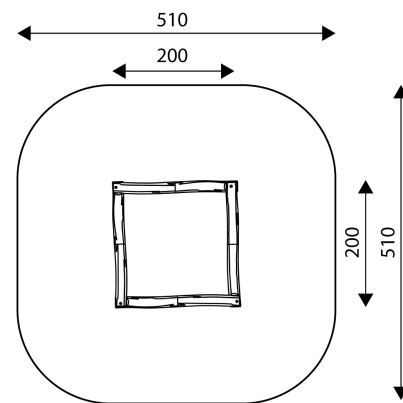




Device Specifications	
Safety zone	24,1 m <sup>2</sup>
Length	200 cm
Width	200 cm
Total height	20 cm
Free fall height	< 60 cm
Age range	1-12 years
In accordance with EN standards	1176-1:2017
Weight of the heaviest part [kg]	40 kg
Dimension of the biggest part [cm]	200x18x18
Availability of spare parts	Yes

Minimal space



#### MATERIAL SPECIFICATION

- Construction made of Robinia - very durable acacia wood with a diameter of ~ 18 cm without sharp edges, resistant to weather conditions,
- Stainless steel and/or galvanized steel screws.

#### ADDITIONAL COMMENTS

- equipment intended for public playgrounds,
- equipment has a certificate issued by an accredited entity or a declaration of conformity;
- no sharp edges or chinks that would pose a danger of jimmieing the head, fingers or any other body parts;
- anchoring on flat surface, 80/70/60 cm deep;
- render is for reference only, the actual appearance of the equipment and its color may vary;

#### SURFACES

Due to the free fall height of the equipment, the EN 1176-1:2017 standard allows the following surfaces: turf/ soil (A,B,C), sand with minimal layer thickness of 30 cm (A,C), synthetic material approved for free fall of 0,60 m