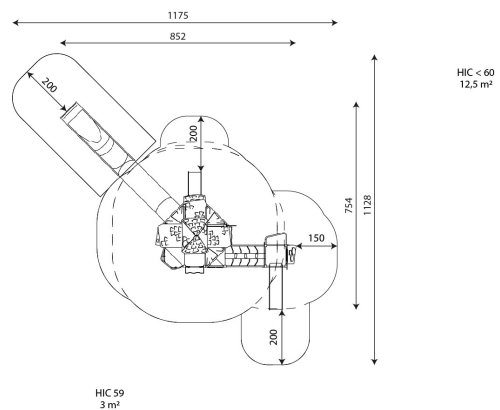




Device Specifications	
Safety zone	65,5 m <sup>2</sup>
Lenght	852 cm
Width	754 cm
Total height	490 cm
Free fall height	270 cm
Age range	4 - 14 years
In accordance with EN standard	1176-1:2017
Weight of the heaviest part [kg]	210
Dimension of the biggest part [cm]	8x8x510
Availability of spare parts	Yes

Minimal space



#### MATERIAL SPECIFICATION

- Steel structure with a profile of 80 x 80 mm, powder galvanized and powder coated or made of stainless steel,
- Platforms, climbing walls and steps made of durable anti-slip and waterproof HPL plates,
- Roofs, side panels, moving objects, maze, music panel and flag made of HDPE plate, resistant to weather conditions,
- Transparent polycarbonate panels with a permanent print resistant to scratches and weather conditions,
- Screws covered with plastic caps or stainless steel screws,
- Rubber or polypropylene PP, safe end caps on top of the structure,
- Stainless steel bars, ladders, handrails and tubular sled, slide made of stainless steel with HDPE side panels,
- Steel ropes in PP braid, connected with durable plastic elements, stainless steel or aluminum,
- Attested, safe seats; Calibrated stainless steel chains, preventing fingers entrapment,
- Educational panel made of HDPE plate resistant to weather conditions,
- Durable climbing stones made of polyester resin with mineral fillers.

#### ADDITIONAL COMMENTS

- equipment intended for public playgrounds;
- equipment has a certificate issued by an accredited entity or a declaration of conformity;
- no sharp edges or chinks that would pose a danger of jimming the head, fingers or any other body parts;
- anchoring on flat surface, 80/70 cm deep;
- slides should not be installed southwards;
- render is for reference only, the actual appearance of the equipment and its color may vary;

#### SURFACES

Due to the free fall height of the equipment, the EN 1176-1:2017 standard allows the following surfaces: sand with minimal layer thickness of 40 cm (A), synthetic material approved for free fall of 2,70 m (A,B,C).