

Product technical sheet

ROBINIA RB1279



1 - 8 years



3 kids



21,1 m²

Material specification

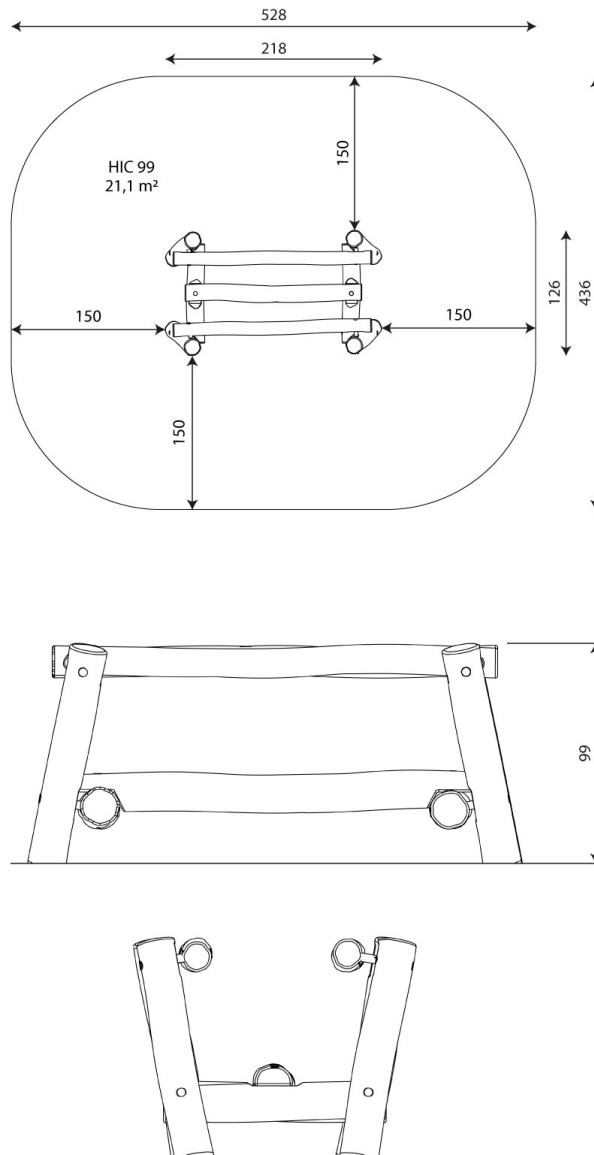
- Construction made of Robinia - very durable acacia wood with a diameter of ~ 18 cm without sharp edges, resistant to weather conditions,
- Screws covered with plastic caps and/or stainless steel screws,



Physical development



balance



Product technical sheet

ROBINIA RB1279

Product data

Length	218 cm
Width	126 cm
Total height	99 cm
Age group	1 - 8 years
Number of users	3 kids
Safety zone	21,1 m ²
Free fall height	99 cm
In accordance with norm EN	1176-1:2017
Weight of the heaviest part	46 kg
Dimensions of the largest part	200x18x18 cm
Availability of spare parts	YES
Installation time	2 h

Data is subject to change without prior notice.

Additional information

- equipment intended for public playgrounds;
- equipment has a certificate issued by an accredited entity or a declaration of conformity;
- no sharp edges or chinks that would pose a danger of jimmie the head, fingers or any other body parts;
- anchoring on flat surface, 80 cm deep;
- render is for reference only, the actual appearance of the equipment and its color may vary;

Guarantee

30

30 year guarantee - Structural strength of steel and stainless steel components

15

15 year guarantee - Structural failure of steel and stainless steel, for dynamic equipment

10

10 year guarantee - Structural failure of high density polyethylene and high pressure laminates components

5

5 year guarantee - Corrosion of stainless steel and hot dip galvanized and powder coated components; against bark beetles and rot in case of wooden structural elements

ROBINIA RB1279

Surfaces EN 1176-1:2017

	Description (mm)	Layer thickness (cm)	Maximum fall heights (cm)
Turf/ top layer of soil (A,B,C)	-	-	≤100
bark (A,C)	Particle size from 20 to 80	30	≤200
		40	≤300
woodchips (A,C)	Particle size from 5 to 30	30	≤200
		40	≤300
sand or gravel (A,C)	Particle size from 0,25 to 8	30	≤200
		40	≤300
synthetic attested (A,B,C)	Tested according to EN 1177		99

Amount of safe surface corresponding with free fall height:

HIC 99 21,1 m²

Data is subject to change without prior notice.

