

Product technical sheet

JUMPOO 2211



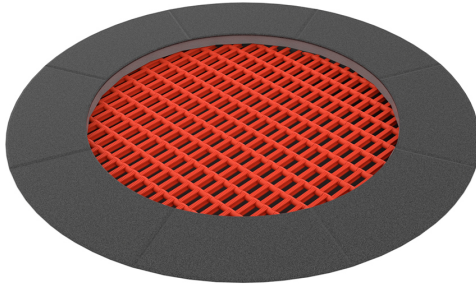
4 - 15 years



1 kids



12,6 m²



Material specification

- Construction made of hot-dip galvanised steel, mounted below the ground surface,
- The edges of the structure covered with a rubber rim - surface colored SBR glued to the frame,
- Jumping mat: made of polyamide lamellas, threaded on a stainless steel rope,
- Fastening on durable galvanized springs inside the structure,



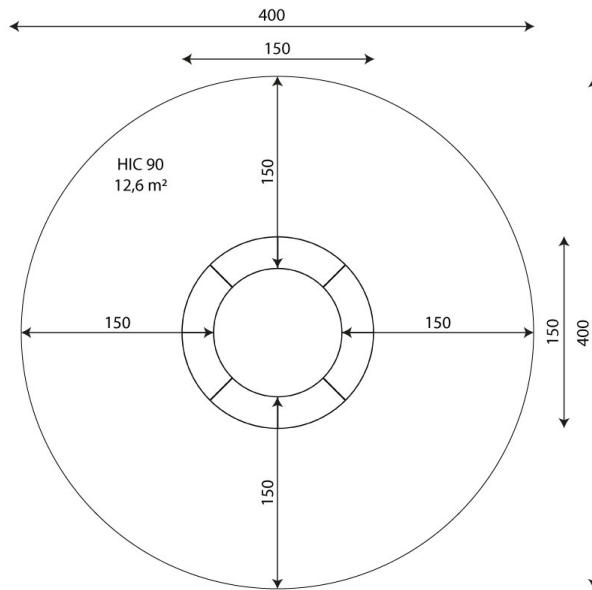
Physical development



balance




community



Product technical sheet

JUMPOO 2211

Product data

Length	150 cm
Width	150 cm
Age group	4 - 15 years
Number of users	1 kids
Safety zone	12,6 m ²
Free fall height	90 cm
In accordance with norm EN	1176-1:2017
Availability of spare parts	YES
Color options	

Data is subject to change without prior notice.

Additional information

- equipment intended for public playgrounds;
- equipment has a certificate issued by an accredited entity or a declaration of conformity;
- no sharp edges or chinks that would pose a danger of jimmie the head, fingers or any other body parts;
- render is for reference only, the actual appearance of the equipment and its color may vary;

Guarantee

30 30 year guarantee - Structural strength of steel and stainless steel components

15 15 year guarantee - Structural failure of steel and stainless steel, for dynamic equipment

10 10 year guarantee - Structural failure of high density polyethylene and high pressure laminates components

5 5 year guarantee - Corrosion of stainless steel and hot dip galvanized and powder coated components; against bark beetles and rot in case of wooden structural elements

Detailed information in the guarantee card

JUMPOO 2211

Surfaces according to EN 1176-1:2017

Amount of safe surface corresponding with free fall height:

HIC 90 12,6 m²

Data is subject to change without prior notice.

	Description (mm)	Layer thickness (cm)	Maximum fall heights (cm)
Turf/ top layer of soil (A,B,C)	-	-	≤100
bark (A,C)	Particle size from 20 to 80	30	≤200
		40	≤300
woodchips (A,C)	Particle size from 5 to 30	30	≤200
		40	≤300
sand or gravel (A,C)	Particle size from 0,25 to 8	30	≤200
		40	≤300
synthetic attested (A,B,C)	Tested according to EN 1177		90

