



Age Range
Age > 14+



No. of Users
1



Free Height of Fall
> 2.45m



Assemble Time
1 H



No. of Activities
2



Impact Area
29.2m²

Human Flag Pole

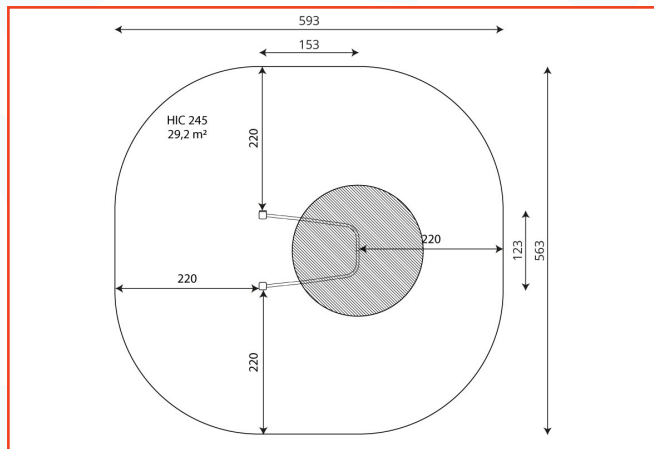
2311

The ultimate strength test, this pole allows users to practice the human flag. This move is a feat of strength where the body is parallel to the ground whilst being supported by a vertical bar.

Available in different colours
(Additional charges may apply)



Technical Information



Materials



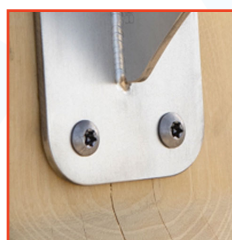
Powder galvanized and powder-coated or stainless steel construction of 100 x 100 mm profile, durable end caps on the top of the structure made of plastic.



Aluminum exercise instructions plate screwed to HDPE plate, resistant to weather conditions.



Stainless steel bars with a diameter of 38mm for a comfortable grip during exercises.



Stainless steel screws and/or screws covered with plastic caps.

Surfacing

Surface Measurements

Grass Matting	36m ²
Grass Matting (Wear Area)	N/A
Wetpour	29.2m ²

No safety surface required as critical fall height is less than 600mm. However, we suggest allowing an appropriate free space around the item in compliance with BS EN1176.

Data is subject to change without prior notice.