

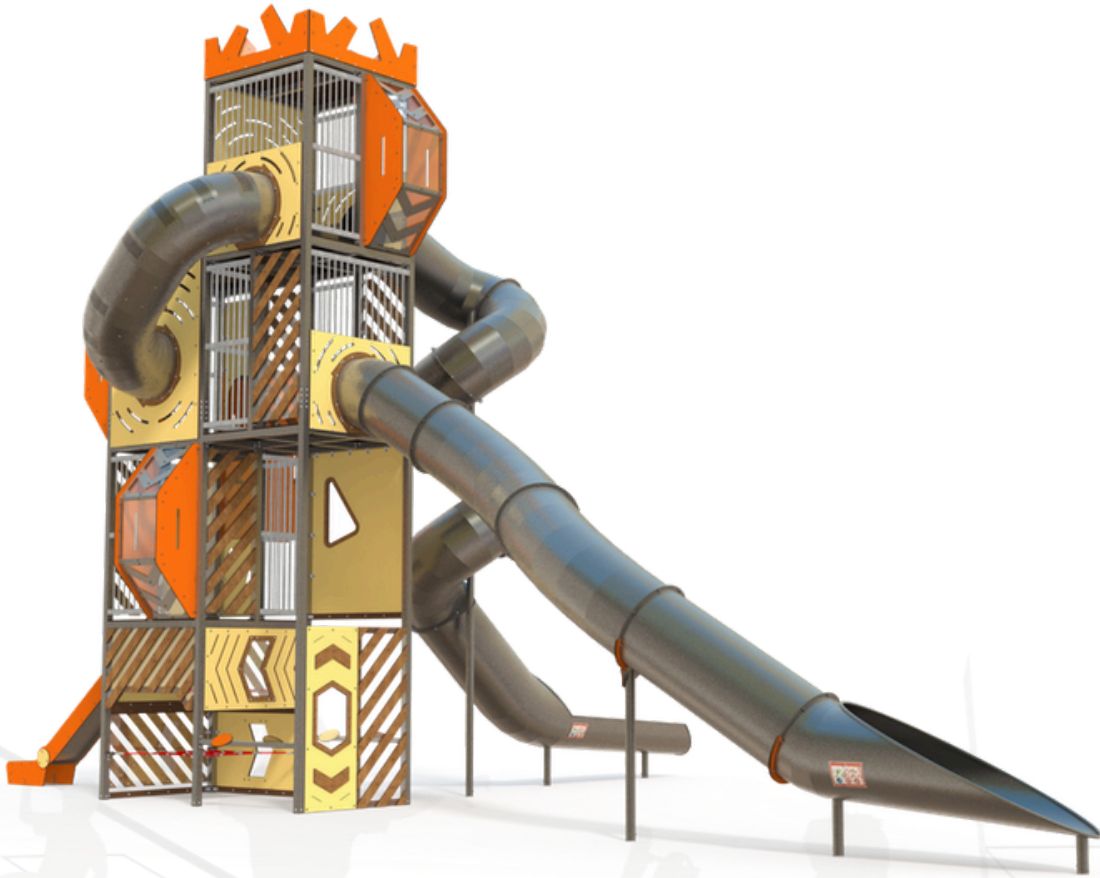
	6-14		59		1 m		58-62 h		26
--	------	---	----	---	-----	--	---------	---	----

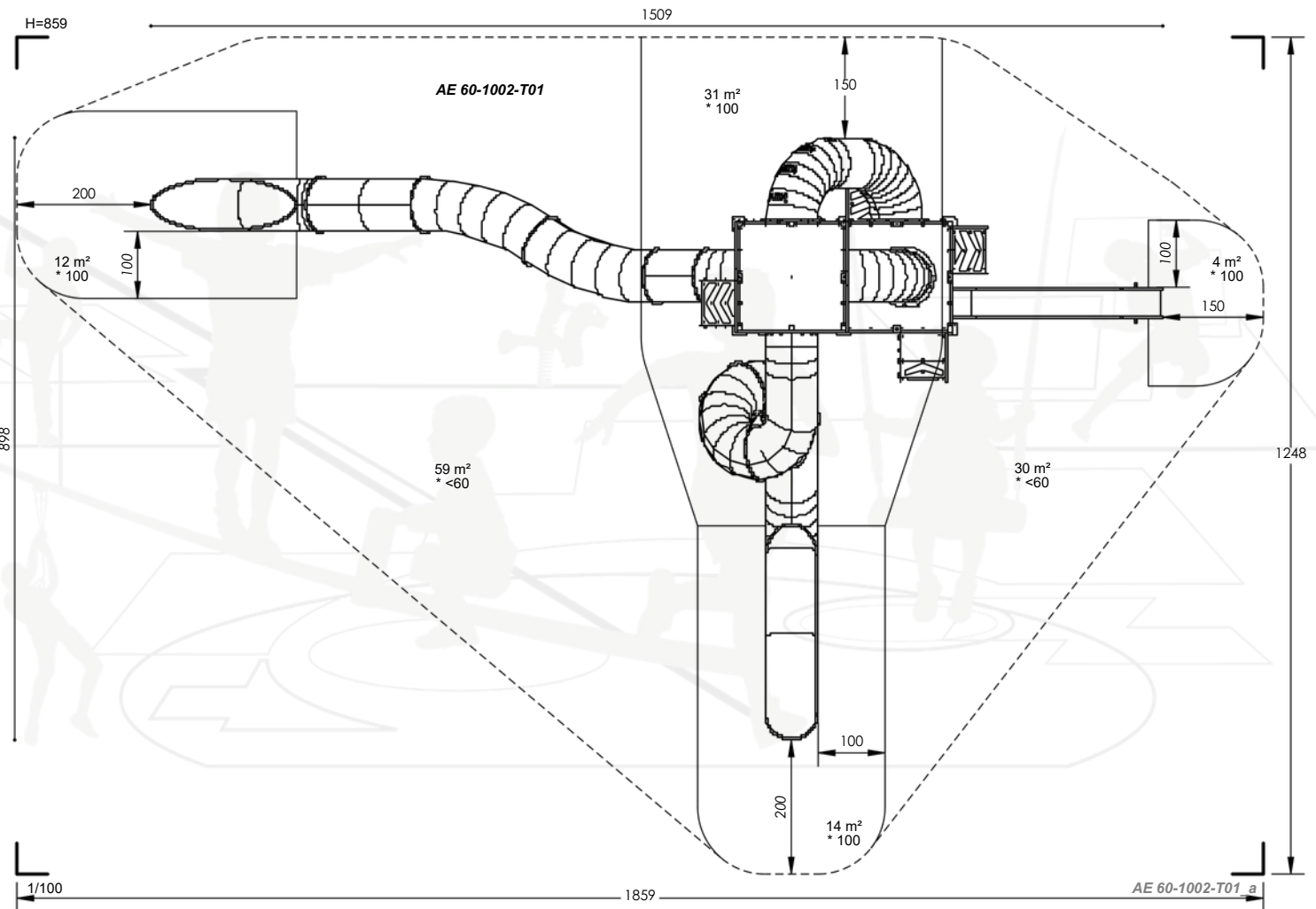
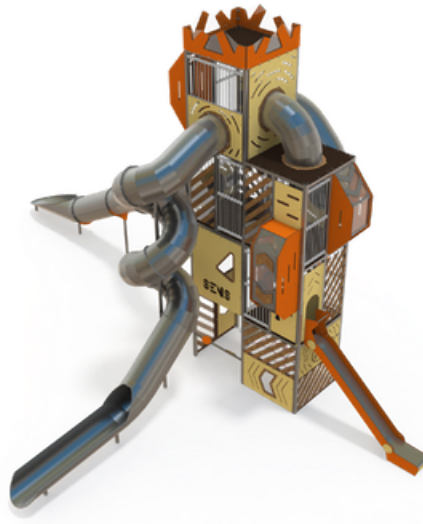
- 
- 
- 
- 
- 
- 
- 
- 
- 



EN-1176







*free fall height -H: full height of the equipment

01	COLOUR
12	
19	

EN-1176