

Age Range
Age > 2

No. of Users
6

Free Height of Fall
> 0.6m

Assemble Time
1-2 H

No. of Activities
2

Impact Area
N/A

Large Sleeper Sandpit

EYA-003

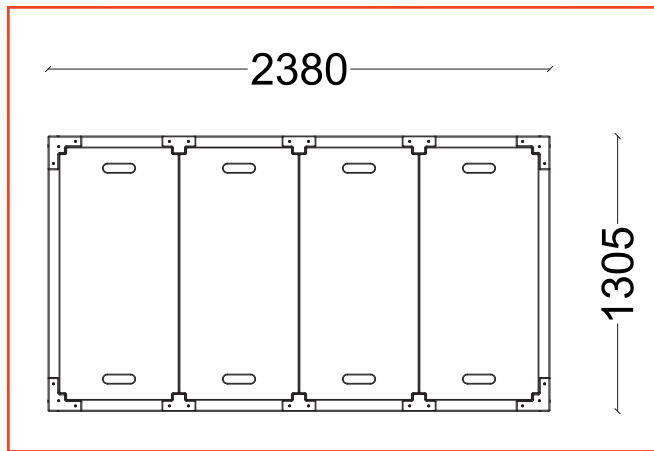
A robust timber sandpit built from chunky sleepers, offering deep play space and long-lasting durability for schools, parks, and nurseries.

This free-standing unit is constructed from 195 x 95mm sleepers and includes a Garuda base for added stability and drainage. It features removable HDPE lid panels, with bespoke colours and engraving available on request to personalise your space (engraving at extra cost).

Sand not included
(Sand Required = 0.79m³)



Technical Information



Materials



Pressure-treated UK pine sleepers are a highly durable and versatile material designed for exterior use, especially in demanding, ground-contact applications.

They are engineered through a specific industrial process to provide long-term resistance to biological degradation that would quickly destroy untreated timber.



Manufactured from high-grade waste which rescues countless tons of scrap from ending up in landfill. Renowned for its exceptional durability, our HDPE is virtually unbreakable, engineered to withstand the most challenging conditions. Moreover, it boasts excellent UV stability.

Surfacing

Surface Measurements

Grass Matting	N/A
Grass Matting (Wear Area)	N/A
Wetpour	N/A

No safety surface required as critical fall height is less than 600mm. However, we suggest allowing an appropriate free space around the item in compliance with BS EN1176.

Data is subject to change without prior notice.