

Poppy Tower Unit

EYP-003

A dynamic, low-level play structure packed with sensory features and physical challenges, ideal for early years.

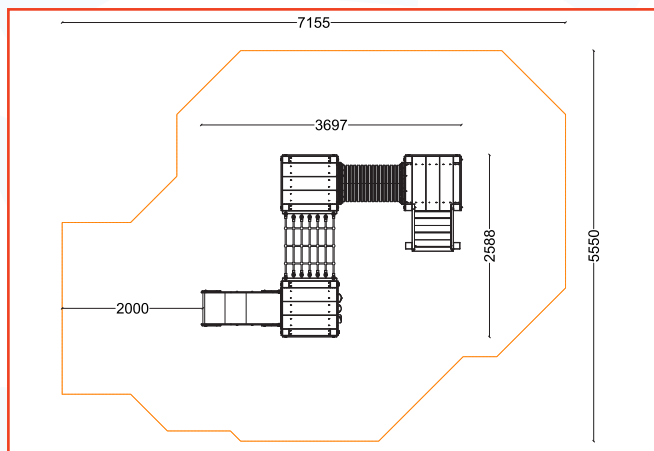
Constructed from timber with vibrant HDPE panels, the Poppy Tower includes a ramp, tunnel bridge, rope bridge, climb wall, and a stainless steel and HDPE slide. Engaging HDPE panels support early learning with a duck, fish, and frog finger maze, two HDPE window infills, a shape-matching panel, and an alphabet infill.

HDPE colours may vary. Specific colour options available on request.

Also available with Steel Feet
(Additional charges apply)



Technical Information



Materials



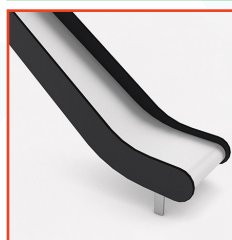
Our timber play equipment is constructed from laminated Glulam timbers for all load-bearing and structural posts. Made from European Redwood heartwood, the laminates are bonded with moisture-resistant, durable, and structurally approved adhesive, with grains aligned for maximum strength. Sourced from FSC-approved, sustainably managed European forests, Glulam ensures both safety and environmental responsibility.



Manufactured from high-grade waste which rescues countless tons of scrap from ending up in landfill. Renowned for its exceptional durability, our HDPE is virtually unbreakable, engineered to withstand the most challenging conditions. Moreover, it boasts excellent UV stability.



Our ropes are available in 10mm, 12mm, 14mm, 16mm, 24mm and 36mm diameter. The diameter of the rope is measured during manufacture whilst the rope is under tension so the finished product may have a larger diameter than stated, so be sure to make allowances for this when measuring and ordering.



Slides are made of AISI 304 stainless steel, resistant to acts of vandalism and external factors. Our offer also includes versions made of fiberglass. The side panels of a slide are made of HDPE or HPL sheets, which are resistant to weather conditions, including frost and UV radiation.

Surfacing

Surface Measurements

| | |
|---------------------------|--------------------|
| Grass Matting | 40m ² |
| Grass Matting (Wear Area) | 8m ² |
| Wetpour | 31.2m ² |

No safety surface required as critical fall height is less than 600mm. However, we suggest allowing an appropriate free space around the item in compliance with BS EN1176.

Data is subject to change without prior notice.