



**Age Range**  
Age > 2



**No. of Users**  
1



**Free Height of Fall**  
N/A



**Assemble Time**  
1 H



**No. of Activities**  
2



**Impact Area**  
N/A

## Story Throne

SSS-001

A beautifully designed storytelling seat that brings a touch of magic to any outdoor reading or imaginative play space.

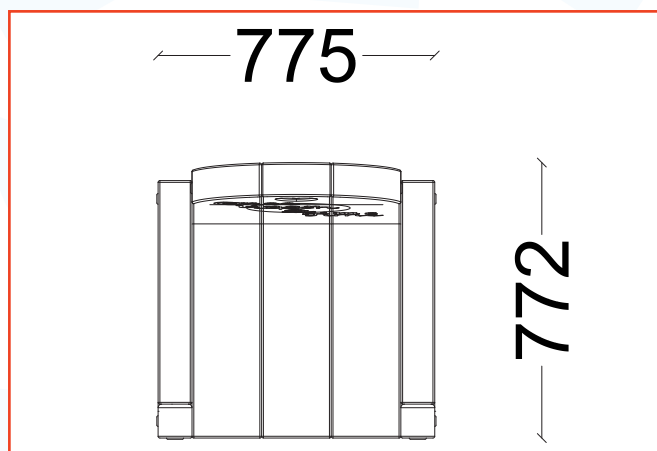
Inspired by Celtic patterns and fairytale themes, the Story Throne is perfect for encouraging storytelling, role play, and creative thinking. Its tall, sculpted form captures attention and invites children to gather round for shared stories and adventures.

An ideal feature for schools, nurseries, and community spaces looking to create an enchanting storybook setting.

Front legs are secured in the ground.



### Technical Information



### Materials



Our timber play equipment is constructed from laminated Glulam timbers for all load-bearing and structural posts. Made from European Redwood heartwood, the laminates are bonded with moisture-resistant, durable, and structurally approved adhesive, with grains aligned for maximum strength. Sourced from FSC-approved, sustainably managed European forests, Glulam ensures both safety and environmental responsibility.



Pressure-treated UK pine sleepers are a highly durable and versatile material designed for exterior use, especially in demanding, ground-contact applications.

They are engineered through a specific industrial process to provide long-term resistance to biological degradation that would quickly destroy untreated timber.

### Surfacing

### Surface Measurements

Grass Matting N/A

Grass Matting (Wear Area) N/A

Wetpour N/A

No safety surface required as critical fall height is less than 600mm. However, we suggest allowing an appropriate free space around the item in compliance with BS EN1176.

Data is subject to change without prior notice.